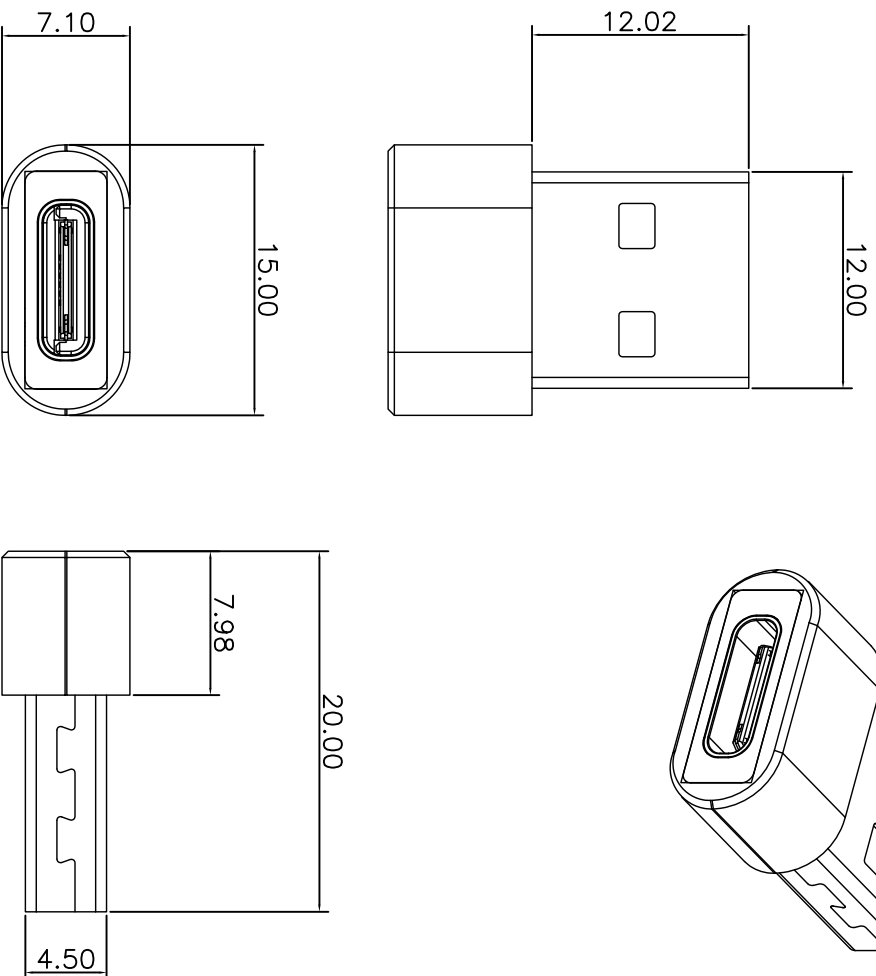
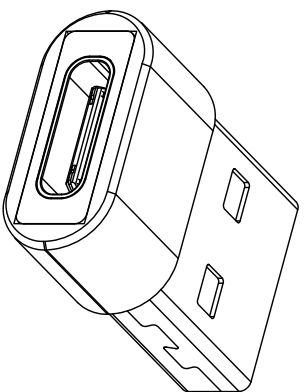


ROHS



| MAPX | MODIFICATION | DRW | DATE |
|------|--------------|-----|------|
| | | | |
| | | | |

- NOTES:
SPECIFICATION:
1. CURRENT RATING: 3.0A MAX
2. VOLTAGE: 100 VAC
3. TEMPERATURE RANGE: -30 °C ~ 85 °C

| NO. | DESCRIPTION | MATERIAL | REMARKS | QTY |
|-----|-------------|--------------------------|--------------|------|
| 7 | SHELL | 尼龙 (改性塑料) | BLACK (可订制) | 1PCS |
| 6 | SHELL | SPCC | NI Plated | 1PCS |
| 5 | CONTACT | POB (镀金磷铜包铜) | Au20" | 1SET |
| 4 | HOUSING | PBT | BLACK | 1PCS |
| 3 | SHELL | STAINLESS STEEL | NI Plated | 1PCS |
| 2 | CONTACT | COPPER ALLOY | Au/Ni Plated | 1SET |
| 1 | HOUSING | HIGH TEMPERATURE PLASTIC | BLACK | 1PCS |

产品图
PRODUCT CHART DWG

深圳市精拓金电子有限公司
Shenzhen Jing Tuo Jin Electronics Co., Ltd.

| 公差一览表 | | 单位 | | 制图 | | 制图料号 | |
|-----------|------------------|-------|-------|---------|------------|------------------|-------------------------|
| TOLERANCE | UNLESS OTHERWISE | UNITS | MM | DRAWING | YANG | PRODUCT PART NO. | 917-B88C101AH70203 |
| X | ±0.25 | X | ±5° | 审核 | 郭裕富 | 产品名称 | 转接头TYPE-C母头转USB-A公母白胶棉壳 |
| X | ±0.20 | X | ±2° | CHD | 黄国荣 | PRODUCT NO. | |
| XX | ±0.05 | XX | ±1° | 核准 | | 角法 | |
| XXX | ±0.02 | XXX | ±0.5° | APPD | | VER | AD |
| | | | | 日期 | 2020-05-22 | 视图 | |
| | | | | DATE | | | |