

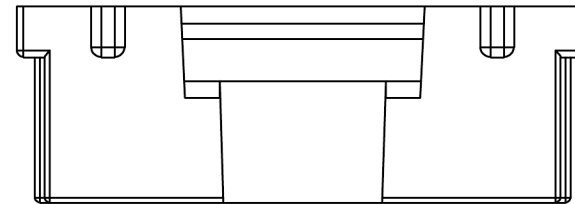
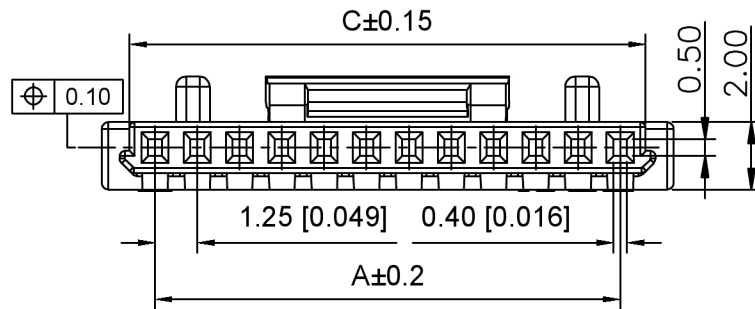
02P~10P

Specifications:
 规格:
 Voltage rating:150V AC/DC
 额定电压: 150V AC/DC
 Current rating:1A AC/DC
 额定电流: 1A AC/DC
 Withstanding voltage:500V AC/minute
 耐受电压: 500V AC/分钟
 Temperature range:-25℃~+85℃
 温度范围: -25℃~+85℃
 Insulation resistance :500MΩ min
 绝缘电阻: 500MΩ Min
 Contact resistance:30mΩ Max
 接触电阻: 30mΩ Max

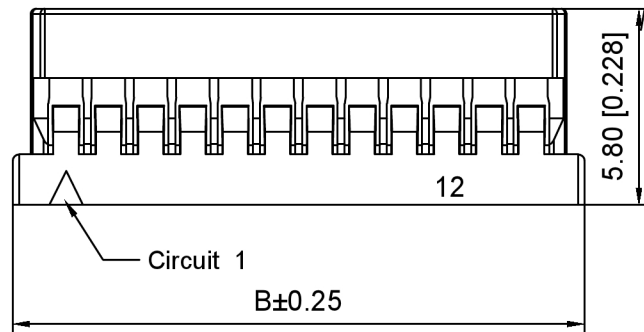
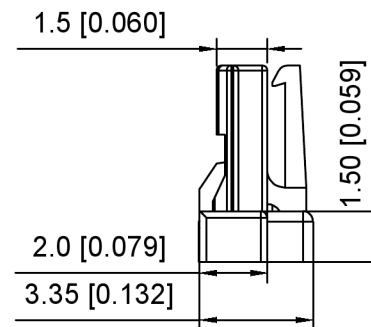
X9862 H -XX A- N0
 ① ② ③ ④ ⑤

- 1.Series No
- 2.Category:H-HSG
- 3.Row No.Pin No:XX-02P-30P
- 4.Special N0:A-With Lock
- 5.Material:N0-Nylon 66 UL 94V-0

Poles	Dimensions(mm)		
	A	B	C
02	1.25	4.40	2.75
03	2.50	5.65	4.00
04	3.75	6.90	5.25
05	5.00	8.15	6.50
06	6.25	9.40	7.75
07	7.50	10.65	9.00
08	8.75	11.90	10.25
09	10.00	13.15	11.50
10	11.25	14.40	12.75
11	12.50	15.65	14.00
12	13.75	16.90	15.25
13	15.00	18.15	16.50
14	16.25	19.40	17.75
15	17.50	20.65	19.00
20	23.75	26.90	25.25
25	30.00	33.15	31.50
30	36.25	39.40	37.75



11P~30P



X9862H-XXA-N0	Nylon 66 UL 94V-0	X9862W-A	X9862T-A
PART NO	Material	Suitable XKB Wafer	Suitable XKB Terminal

DSND	SCALE: N/A	MODEL TYPE: 1.25mm Crimp Style Connector
DWN	VIEW:	PART NO.: X9862H-XXA-N0
CHKD	UNIT: mm/in	DWG NO.: X-X9862H-XXA-N0
APPD	SIZE: A4	



XKB INDUSTRIAL PRECISION CO.,LIMITED

WEIGHT	SHEET	REVISION
	1/1	A0

ANGLAR	±5°
L ≤ 4	±0.2
4 < L ≤ 16	±0.3
16 < L ≤ 63	±0.4
L > 63	±0.5
UNSPECIFIED TOLERANCES	

广东星坤科技股份有限公司

DATE	DATE	DATE	DATE
DATE	DATE	DATE	DATE

文件工程章

REVISIONS	DATE	REVISED	APPROVED
DESCRIPTION			

www.helloxkb.com www.helloxkb.cn www.xk-dg.cn