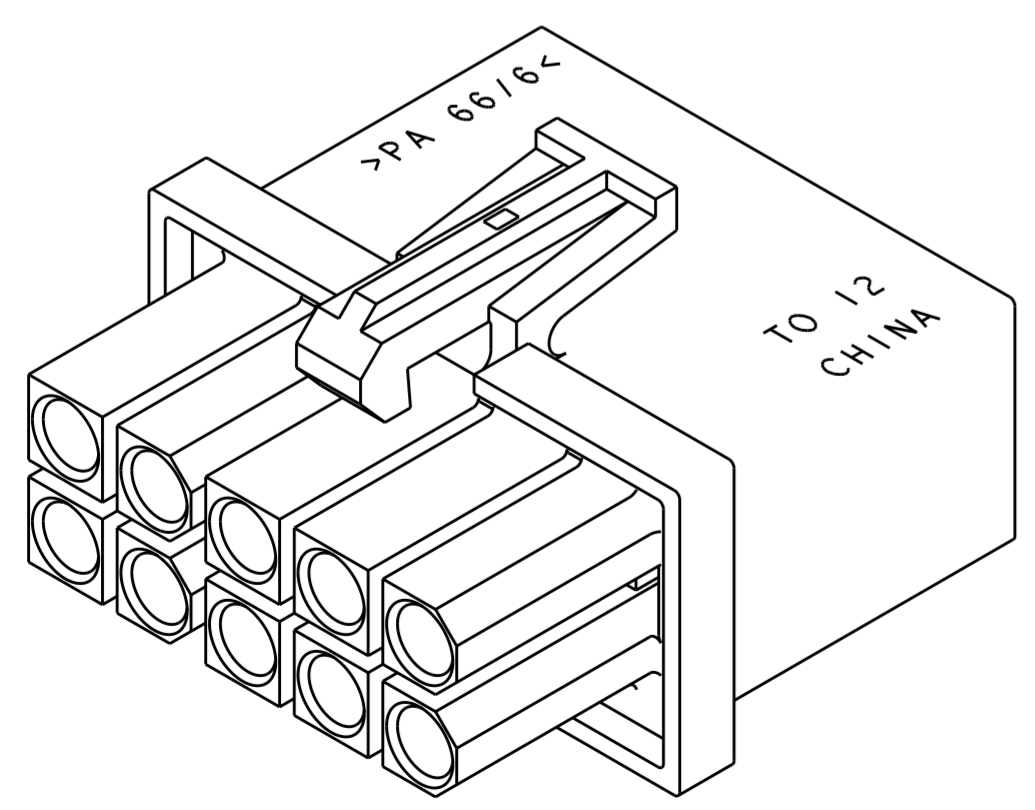
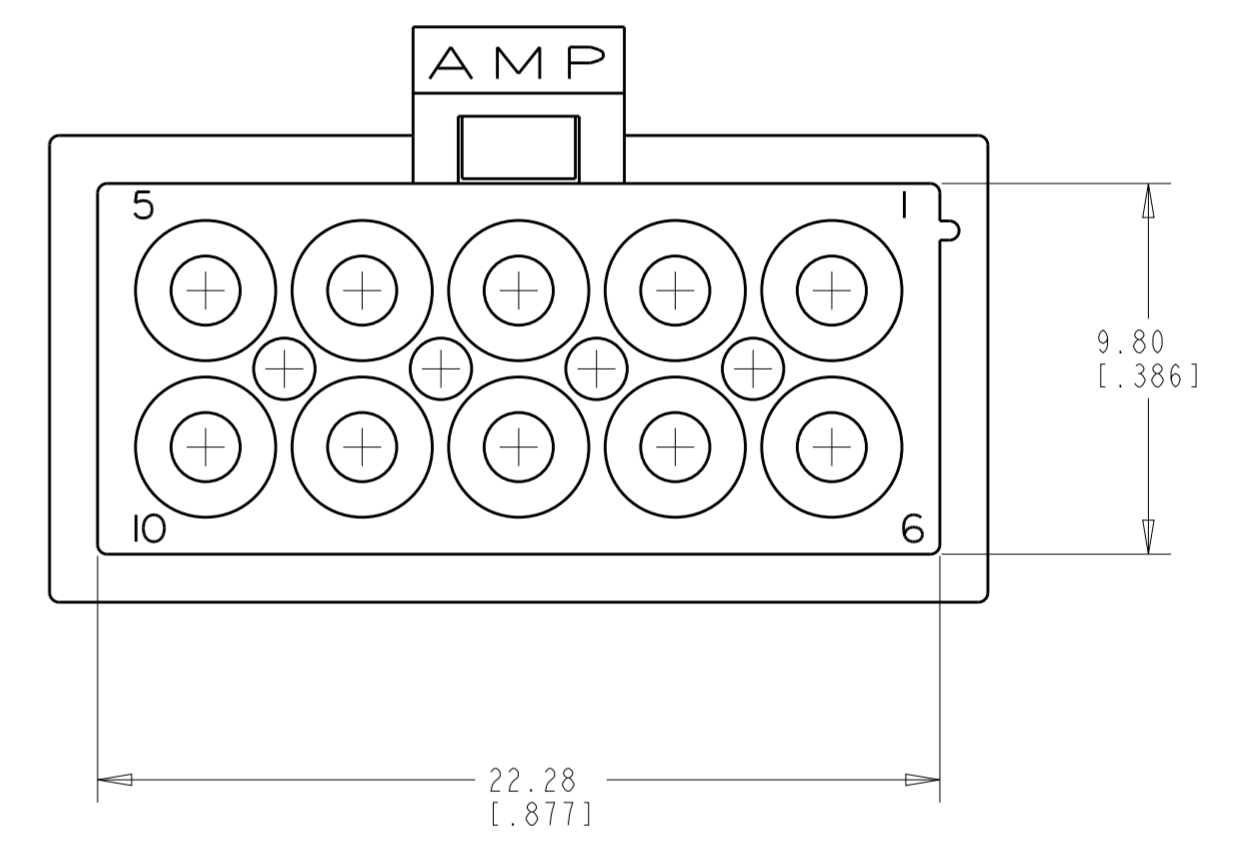
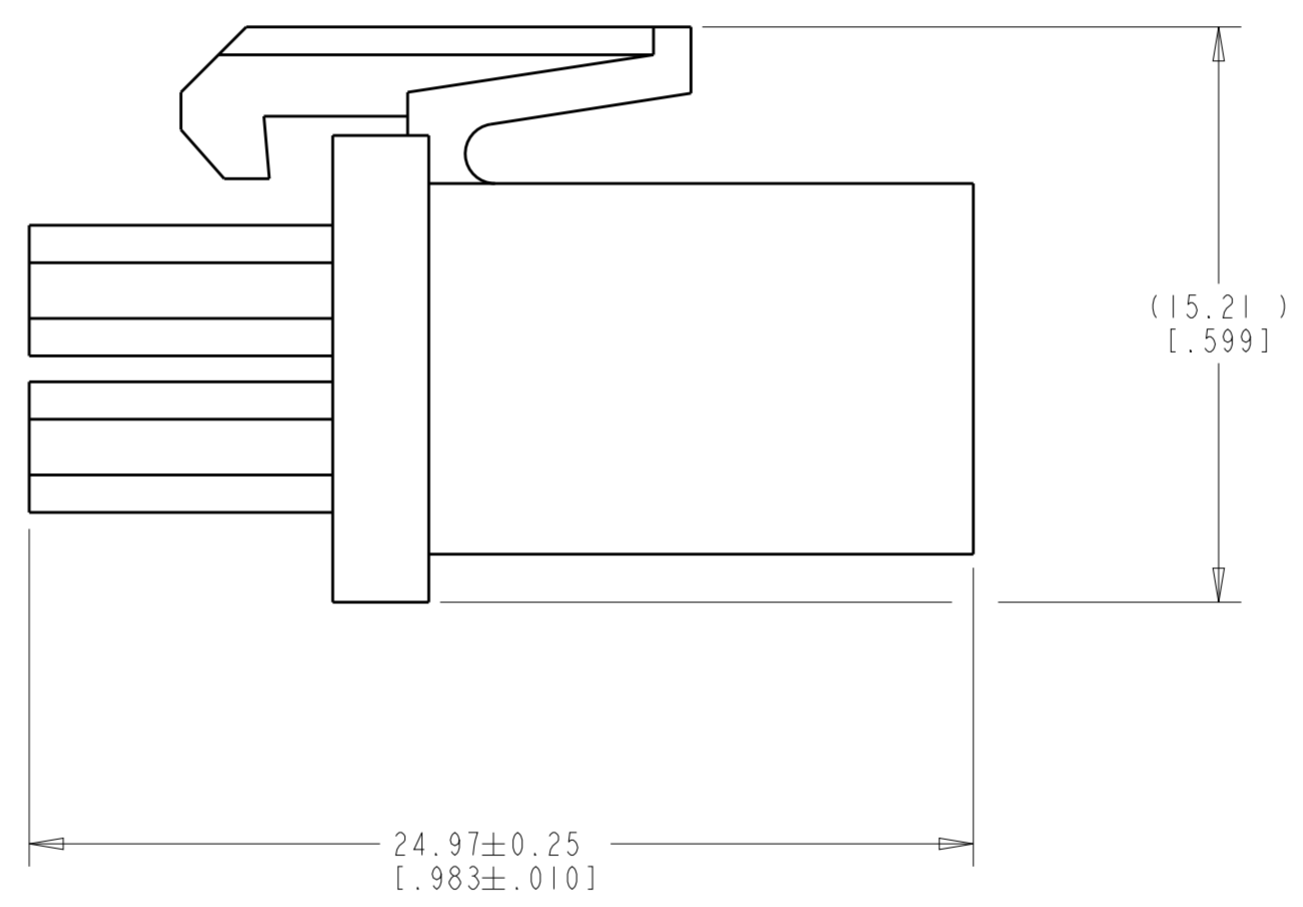
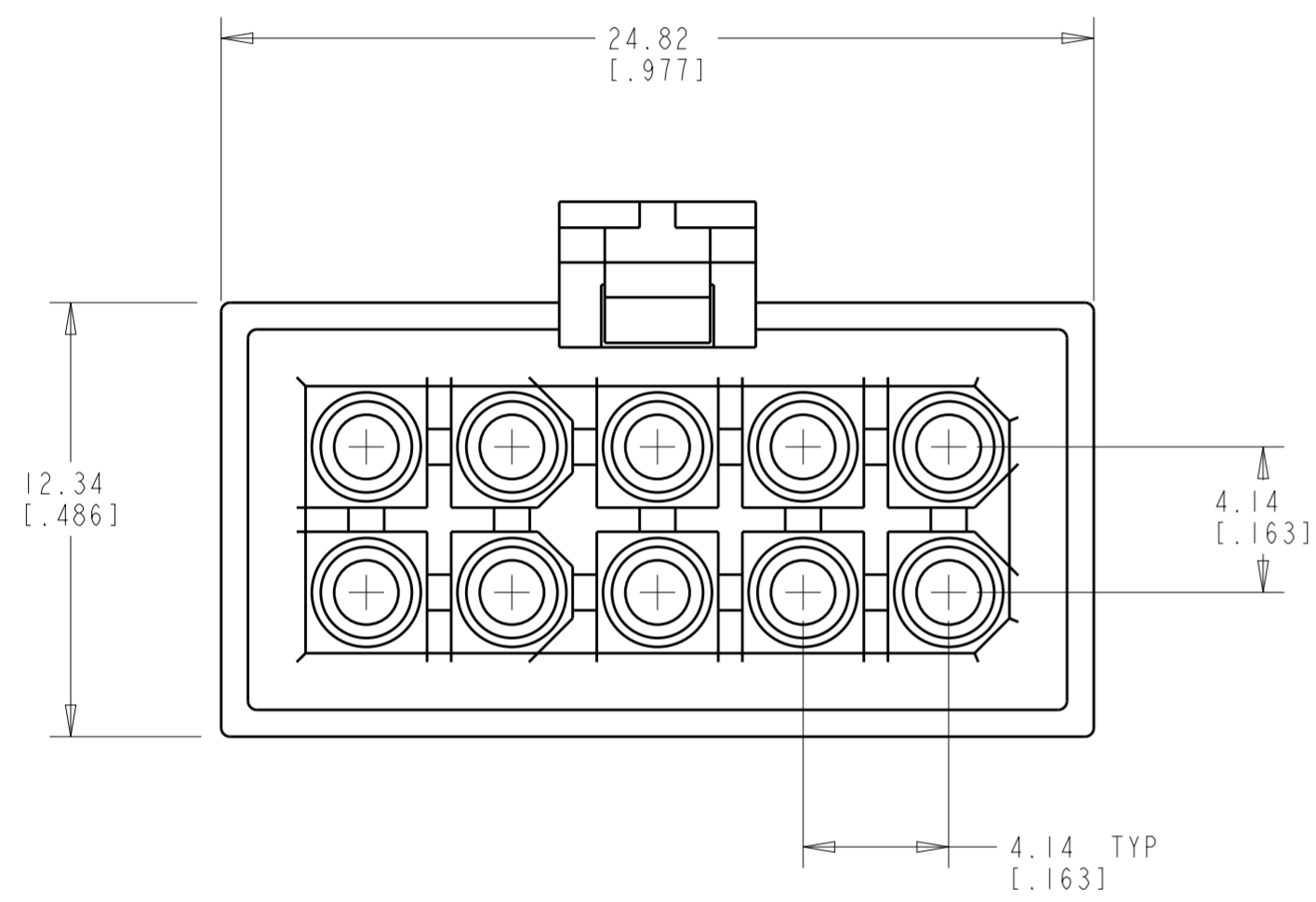


THIS DRAWING IS UNPUBLISHED. RELEASED FOR PUBLICATION 20
 © COPYRIGHT 20 BY - ALL RIGHTS RESERVED.

REVISIONS				
P	LTR	DESCRIPTION	DATE	APVD
C		REVISED PER ECR-12-017444	27NOV2017	BW SG
CI		REVISED PER ECR-17-016920	25SEP2018	BDA SG

1. DIMENSIONS IN BRACKETS ARE IN INCHES.



3 DIMENSIONAL MODEL
 SCALE 4:1

794781-1
 PART NUMBER

THIS DRAWING IS A CONTROLLED DOCUMENT.		DWN K. WHITAKER	LOMAY2000	STE TE Connectivity
DIMENSIONS: mm [INCHES]		CHK K. COBLE	LOMAY2000	
TOLERANCES UNLESS OTHERWISE SPECIFIED:		APVD K. COBLE	LOMAY2000	NAME PLUG, 10 CIRCUIT, MINI UNIVERSAL MATE-N-LOK(TM)
0 PLC ±-	1 PLC ±-	PRODUCT SPEC	108-1542-2	SIZE A2
2 PLC ±0.13 [0.005]	3 PLC ±-	APPLICATION SPEC	114-13089	CAGE CODE 00779
4 PLC ±-	ANGLES ±0° 30'	WEIGHT	-	DRAWING NO G-794781
MATERIAL NYLON, UL94V-0, WHITE	FINISH -	CUSTOMER DRAWING	SCALE 5:1	RESTRICTED TO SHEET 1 OF 1 REV C1