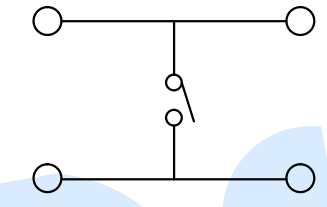
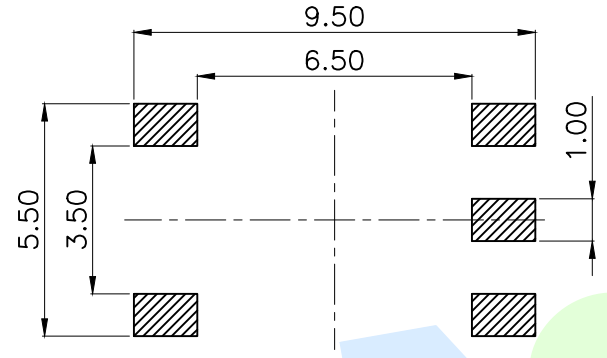
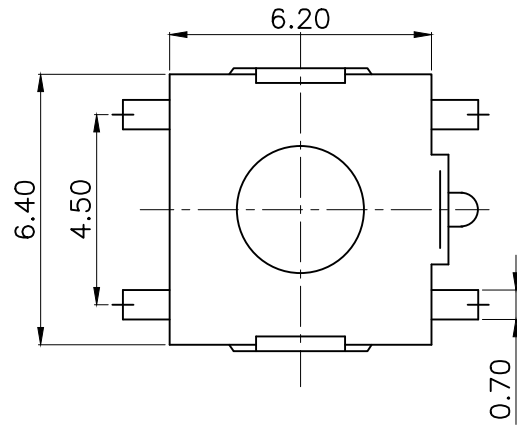
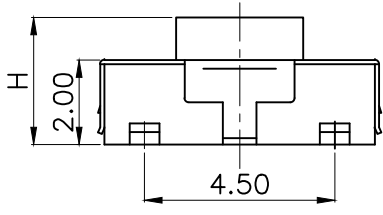
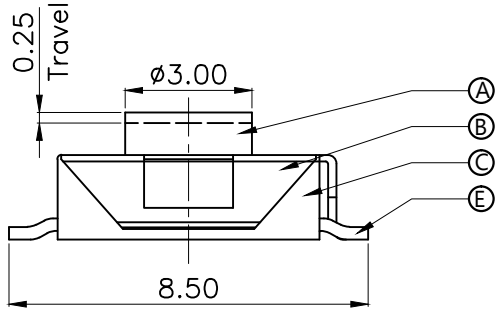


RoHS



Circuit Diagram

PCB Layout (Pattern side)



| TOTAL HEIGHT | |
|--------------|-----|
| CODE | H |
| A1 | 2.5 |
| A2 | 2.7 |
| A3 | 3.1 |
| A4 | 3.4 |
| A5 | 3.7 |
| A6 | 4.3 |
| A7 | 5.0 |
| A8 | 5.5 |

| SHRAPNEL | |
|----------|--------------|
| CODE | MATERIAL/QTY |
| D1 | C5210/1PCS |
| D2 | SUS/1PCS |

| OPERATING FORCE | |
|-----------------|----------|
| CODE | VIGOR |
| B1 | 120±30gf |
| B2 | 180±30gf |
| B3 | 250±30gf |
| B4 | 350±30gf |

| NO. | Name | Number | Qty | Materil | Remarks |
|-----|----------|--------|-----|---------|----------------|
| ⑤ | Terminal | | 4 | Brass | Silvering |
| ④ | Contact | | 1 | SUS | Silver covered |
| ③ | Base | | 1 | PPA | Black |
| ② | Cover | | 1 | Brass | Plating Cu Sn |
| ① | Knob | | 1 | PPA | |

YUANDI® Yuandi Electronics Co, Ltd

| | | | |
|----------|------|-------|------------------|
| design | date | name | TACT SWITCHS |
| Review | date | model | TS-1080W-A□B□-D□ |
| Approved | date | | |