

SECTION A-A
SCALE 1:1

SECTION B-B
SCALE 1:1

产品图
PRODUCT CHART Dwg

公差一览表
TOLERANCE UNLESS OTHERWISE

X.	±0.30	X.	±5.°
.X	±0.25	.X	±2.°
.XX	±0.15	.XX	±1.°
.XXX	±0.10	.XXX	±0.5

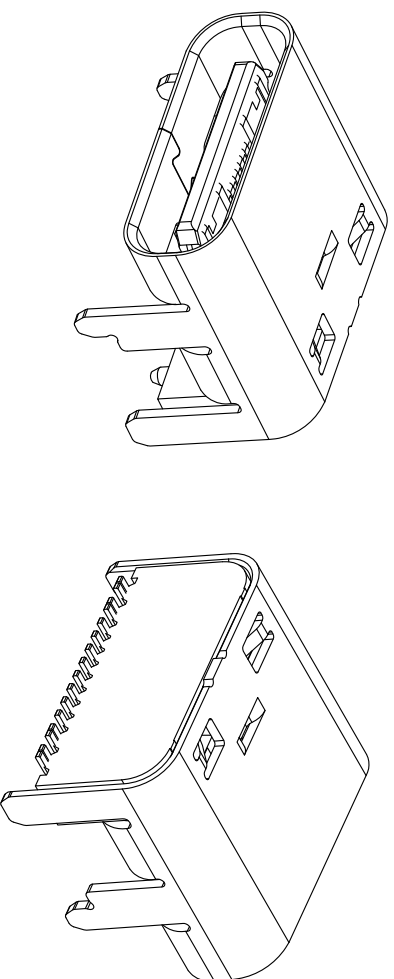
MAPX	MODIFICATION	DATE
------	--------------	------

- NOTE:
- 1.MATERIAL SPECIFICATION:
1.1.HOUSING:HIGH TEMPERATURE RESISTANT PLASTIC,UL94 V-0.
2.CONTACTS:COPPER ALLOY
3.MID PLATE: STAINLESS STEEL
 - 2.PLATING SPECIFICATION:
2-1.CONTACTS:
Ni: 50u" MIN. UNDER PLATED OVER ALL.
Au PLATED ON THE FUNCTIONAL AREA OF CONTACT.
(GOLD PLATING THICKNESS FOLLOW THE P/N)
GOLD FLASH PLATING ON SOLDER AREA
2-2.FRONT SHELL:
Ni: 30u" MIN. UNDER PLATED OVER ALL.
 - 3.MECHANICAL PERFORMANCE:
3-1.INSERTION FORCE: 0.5~2.0kgf.
3-2.REMOVAL FORCE: 0.8kgf~2.0kgf.
3-3.DURABILITY: 10000 CYCLES.
 - 4.ELECTRICAL PERFORMANCE,
4-1. CURRENT RATING:5A
VOLTAGE RATING:20V
4-2.INSULATION RESISTANCE: 100MΩ MIN
4-3.DIELECTRIC WITHSTAND VOLTAGE:AC 100V FOR 1 MINUTE.
4-4.LOW CONTACT RESISTANCE: INITIAL 40MΩ
 5. ENVIRONMENTAL PERFORMANCE:
OPERATING TEMPERATURE: -30°C~+80°C.
 - 6.IR REFLOW:
THE PEAK TEMPERATURE ON THE BOARD SHALL BE MAINTAINED FOR 10 SECONDS AT 260°C.

深圳市精拓金电子有限公司

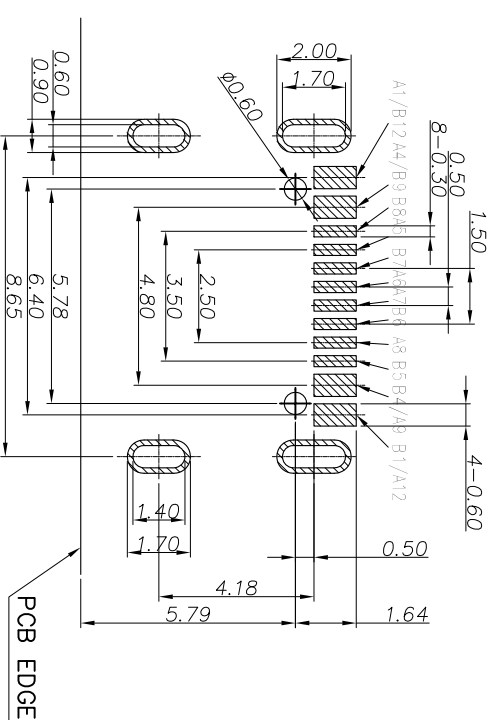
单位	MM	制图	Gavin	制图料号	918-418K2023S40040
UNITS		DRAWING		PRODUCT MATR NO.	
比例	1:1	审核	郭志富	产品名称	
SCALE		CHKO		PRODUCT NO.	
日期	2019.11.23	核准	黄国荣	角法	
DATE		APPD		VER	A0

MAPX	MODIFICATION	DATE
------	--------------	------



USB TYPE-C PIN ASSIGNMENTS

PIN NUMBER	SIGNAL NAME	PIN NUMBER	SIGNAL NAME
A1	GND	B12	GND
A4	VBUS	B9	VBUS
A5	CC1	B8	SBU2
A6	Dp1	B7	Dn2
A7	Dn1	B6	Dp2
A8	SBU1	B5	CC2
A9	VBUS	B4	VBUS
A12	GND	B1	GND



产品图

PRODUCT CHART DWG

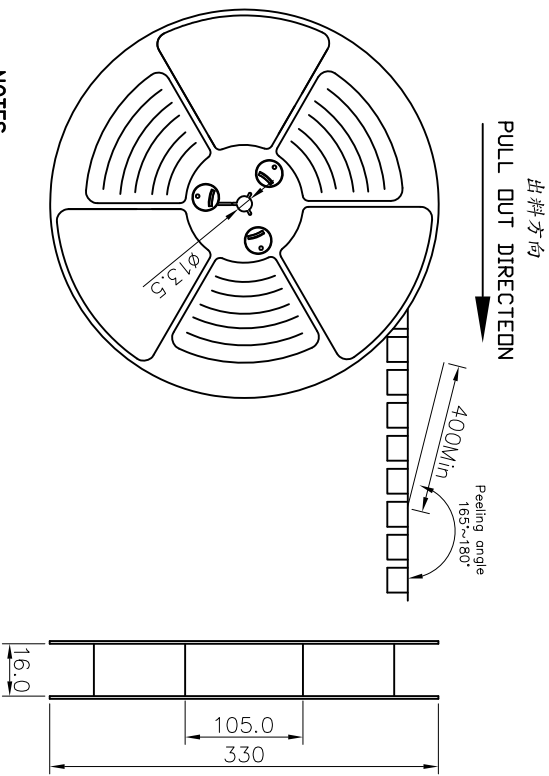
公差一览表

TOLERANCE UNLESS OTHERWISE

X.	±0.30	X.	±5.°
.X	±0.25	.X	±2.°
.XX	±0.15	.XX	±1.°
.XXX	±0.10	.XXX	±0.5

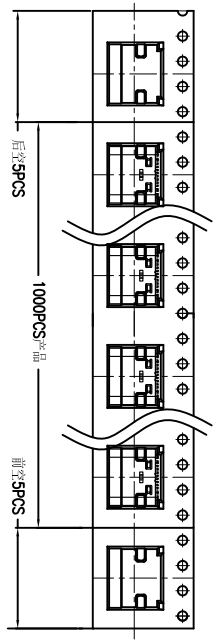
深圳市精拓金电子有限公司

单位 UNITS	MM	制图 DRAWING	Gavin	制图料号 PRODUCT MATR NO.	918-418K2023S40040
比例 SCALE	1:1	审核 CHKD	郭志富	产品名称 PRODUCT NO.	TYPE 3.1 规格 1.3 增加高.0 单位 0.01 有注 10P
日期 DATE	2019.11.23	核准 APPD	黄国荣	角法 VIEW	版本 VER
					A0

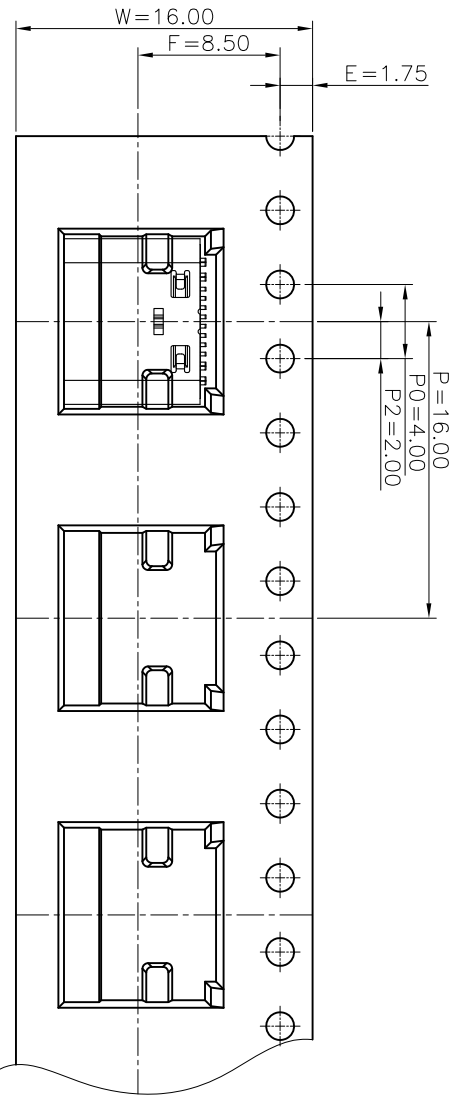


NOTES

- 1. 帶子引導長度
LEAD TAPE LENGTH
出料方向
PULL OUT DIRECTION
- 出料方向
PULL OUT DIRECTION

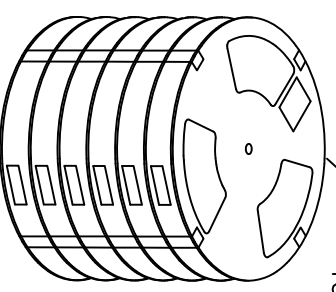


- 2. 上帶剝力力為：0.1~1.3N(10.2gf~130gf)
PEELING OFF FORCE OF TOP TAPE: 0.1~1.3N(10.2gf~130gf)
出貨運輸過程中一定注意：
THIS REQUIREMENT SHOULD BE APPLIED AT SHIPMENT:
卷帶在運輸過程中不能數開
PEELING OFF SHOULD NOT BE ALLOWED DURING TRANSPORTATION



TAPE & REEL 14 PCS

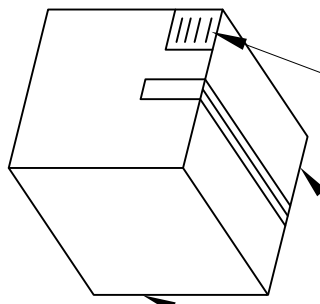
1 REEL
= 1000 PCS



BOX

DIMENSIONS:
33.5X33.5X30.5

1 CARTON
= 14 REELS
= 10000 PCS



包裝明細表 (The detail of the packing) Carton

產品料號 (Product No.)	包裝容量 (Packing Capacity)	重量 (Weight (Kg))
UCR02-2161X-00XR	1000 pcs/box 14 boxes/Carton	14000 Pcs/Box N.W./Pcs N.W./Box G.W./Box

產品圖
PRODUCT CHART Dwg
公差一覽表
TOLERANCE TABLE
DATE: 2019.11.23

深圳市精拓金电子有限公司

單位 (UNITS)	制圖 (DRAWING)	制圖料號 (PRODUCT MAT. NO.)
X. ±0.30 X. ±5.°	審核 (CHECK)	918-418K2023S40040
.X ±0.29 X ±2.°	核准 (APPROV)	
.XX ±0.19 .XX ±1.°		
.XXX ±0.10 .XXX ±0.5		

單位 (UNITS)	比例 (SCALE)	日期 (DATE)	核准 (APPROV)	角法 (VIEW)	版本 (VER)
MM	1:1	2019.11.23	郭志富 (Guo Zhifu)	第三角法 (Third Angle Projection)	A0

MAPX	MODIFICATION	DATE