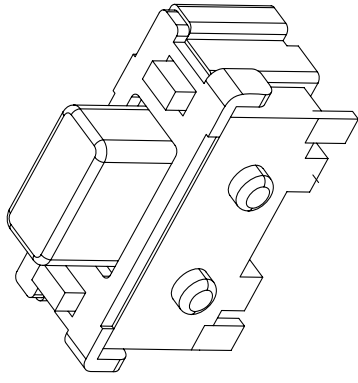


尺寸范围	未注公差值
0~3	±0.1
3~6	±0.15
6~9	±0.2
9~12	±0.25
12~15	±0.3

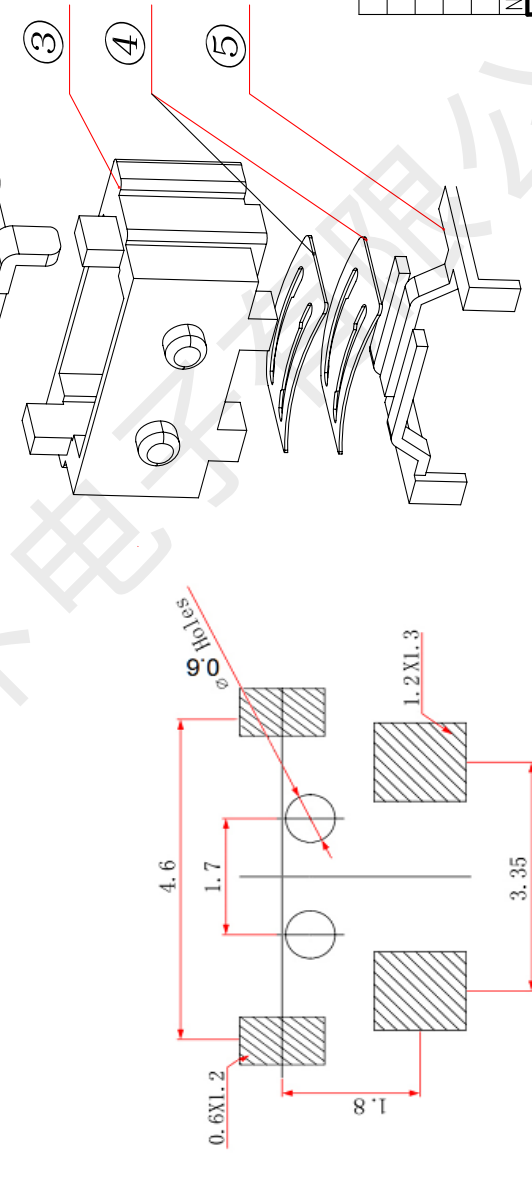
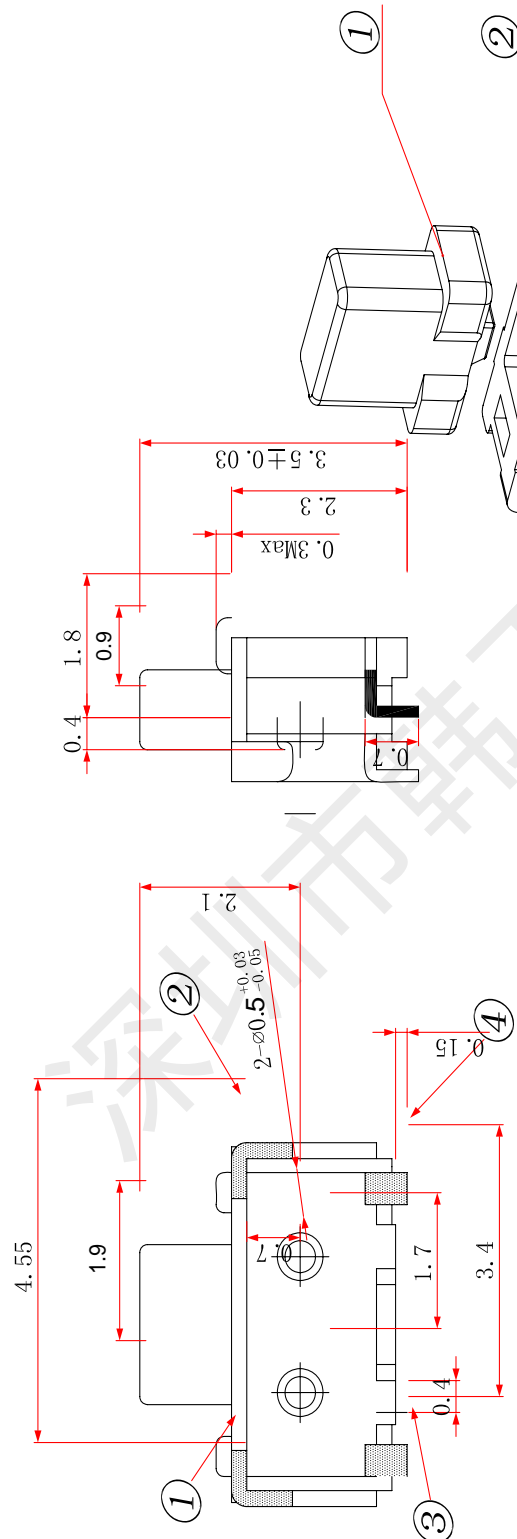


1. 额定负载: DC12V 50mA.
2. 行程: 0.2 ± 0.05mm
3. 克力: 160 ± 30gf.
4. 绝缘电阻: 50mΩMin.
5. 接触电阻: 100mΩMax.
6. 寿命: 20,000 Cycles Min.

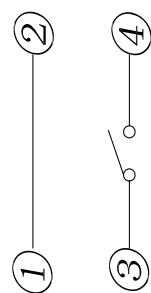
5	接触脚	磷铜	-----	REMARK
4	弹片	不锈钢	-----	外购
3	底座	LCP	白色	-----
2	盖板	磷铜=0.2	-----	镀银
1	按钮	PA6T	黑色	-----
NO.	DESCRIPTION	MATERIAL	COLOR	REMARK

韩下 HANXIA 深圳市韩下电子有限公司 轻触开关	
CUSTOMER COPY	名称 TITLE:
型號 TYPE NO.	HX TS24CA 160GF
料號 PART NO.(OLD)	
圖號 DRAWING NO.	A
SCALE	5:1
UNIT	mm
A4	

DRAW	李春风	2020. 6. 19
DESIGN		
CHECH	钟德华	2020. 6. 19
APPRO.	罗孝金	2020. 6. 19



电路简图
SCHEMATIC



印制线路板
Recommended P.C.B layout

工程变更通知单 EN(DCN) NO.	PA 2007-12-28	说明 DESCRIPTION	更改 CHANGE	承認 APPRO.	GENERAL TOLERANCE UNLESS OTHERWISE NOTED
------------------------	---------------	-------------------	--------------	--------------	---



深圳市韩下电子有限公司

Shenzhen Hanxia Electronic Co., Ltd
Tel: 0755-33819206 Fax: 0755-27597491

承 认 书

SPECIFICATION FOR APPROVAL

客 户 Customer:

产品名称 Project:

轻触开关

规格型号 Part No:

HX TS24CA 160GF

贵公司承认印 Approval signatures

料 号/Part No.	签 章/Signatures

日期 Date:

拟制/Drawn	李春风	
审核/Check	钟华华	
批准/Approved	罗孝金	



产 品 规 格 书

PRODUCT SPECIFICATION

SIRLES		系列:FLIP SWITCHES(轻触开关)	
MODEL		型号: HX TS24CA 160GF	
1.RATING		额定值:50mA 12V DC	
2.CONSTRUTION DIMENSION 结构尺寸		Apply to the appended drawing:符合附加图纸	
3.APPEARANCE 外观		Have no remarkable damage,crack and rust etc:无明显损伤,裂纹,锈迹等.	
4.CONTACTLOOP 接触回路		Monople loop:单通单极回路	
ITEM 专案	TEST CONDITION 测试条件	SPECIFICATION 规格	
5.CAPABILITY OF ELECTRIC 电气性能			
5A	INSULATION RESISTANCE 绝缘电阻	Measurements shall be made following Application of DC500V potential across terminals and across terminals and fuame for 1minute,在端子之间和端子与壳之间加 DC250V 条件下,持续 1 分钟测量.	100M Ω min 100 M Ω 以上.
5B	WITHSTAND VILTAGE 耐电压	AC250V、50HZ、1 min (imin(interrupting current \leq 500uA). AC250V、50HZ、1 分钟(漏电流 500uA)	There shall be no briakdown 无击穿现象出现。
5C	CONTACT CIRCUIT 接触电路	Addition 1.5-2 time force on the top of the keystrok and press the switch,DC50V100mA 在按键顶端上等于作用力 1.5-2 倍的力按动开关,DC50V,10Ma.	50m Ω Max (50m Ω 以下).
5D	SWITCH CONNECTION FLASH 开关接触点抖动	Addition DC5V on the two side of switch,at a speed of 3-5time a sec.to press the switch.在开关的两端加 DC5V 的电压,以 3-5 次/秒的速度按动开关.	The flash time between open not more than 10ms. 开关在接通和断开时的接点抖动时间不大于 10 ms.
6.MECHANICAL EFFICIENCY 机械性能			
6A	CONTACT STRENGTH 按键强度	The contact shall be capable of a rorece of 5N for 5 seconds in any directions.沿开关动作方向可承受静能压力 5N, 保持 5 秒钟.	Switch electric andmechanical efficiency does not break 无损开关电气或者机械性能
6B	CONTACT JOURNEY		按键行程 0.2 \pm 0.05mm
6C	DRIVE FORCE 驱动力	Being measure at across spring piece and across keystone forergometer. 用测力计在按键与弹片之间测量.	按键的开关驱动力 160 \pm 30gf



6D	CONNECTION STRENGTH 接线端强度	A force of 1N being applying in any directions of the switch connection partt..在接线端的作用方向施加 1N 的力.	Switch mechanical efficiency does not break.无损开关机械性能.
6E	MECHANICAL LIFE 机械寿命	Operatin at a rate of 30-50 cycles a minute. 以 30-50 次/分的驱动速度操作.	Life:20000cycles 寿命:20000次
7.ENVIRONME NT---RESISTANT EFFICIENCY 耐环境性能			
7A	CHANGE OF TEMPERATURE 温度变化	The first temperature shall be 70 °C ,3h and changed to-25°C, 0.5h, 5cycles of above test. 先 70°C, 3h, 然后-25°C, 0.5h, 如此重复 5 次.	1. The appearance should not break.外观应无损伤. 2. Contact resistance ≤ 100 M Ω 接触电阻≤100MΩ
7B	HUMIDITY RESISTANT 耐湿热	40±2°C in temperature and 90-95%RH, Ruring thetest time without load; After testing the temperature should be 24h. 经 40±2°C, 相对湿度 90-95%, 试验期间, 开关不动作, 不带电负荷, 试验后恢复到常温 24h.	3. Insulation resistance ≥ 100 M Ω. 绝缘电阻≥100 M Ω
8.IOINTING EFFICIENCY 焊接性能			
8A	SOLDERABILITY 可焊性	Temperature260 ± 5 °C ;Duration;3 ± 0.5S:温度在 260±5°C, 持续 3±0.5S.	Solderability part should above 90% 可焊部分被焊料覆盖面积应在 90% 以上.
8B	SOLDER—RESISTANT 耐焊剂性	Warm-up temperature:100°C,40S, 焊锡温度 260±5 °C, 浸焊时间 5±0.5S.	Froth height of assist solder should under board and switch electric and mechanical efficien- cy does not break.助焊剂发泡不应超过印制板,无损伤开关电气或机械动作性能.
8C	JOINTING—RESISTANT 耐焊接热	Jointing temperature: 260 ± 5 °C ,Duration of immersion: 5 ± 1S. 焊锡温度 260±5 °C, 浸焊时间 5±1S	efficiency does not break 无损伤开关电气或机械动作性能.
8D	NORMAL JOLNTING TIMES 正常焊接次数		≤2times 小于 2 次
9.NOTES			
9A	The whole boxes of switch should keep in the temperature -30--80 °C and less than 80%RH withort acidic,alkalescence,caustic gas in the environment of the storage. 整箱包装的开关,应在温度为-30--80°C,相对湿度不大于 80%,周围的空气中没有酸性、碱性或其他腐蚀性气体的库房内保管。		
9B	Operating Temperature Range:-20 to 70°C 操作温度的范围: -25 to 70°C		
9C	Switch should install in a correct method. 开关应按正确的安装方法进行正确安装使用。		