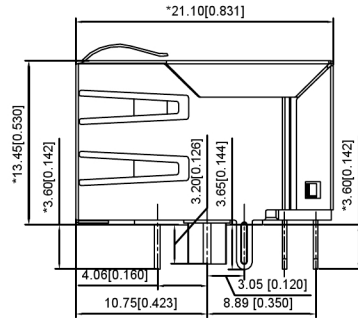
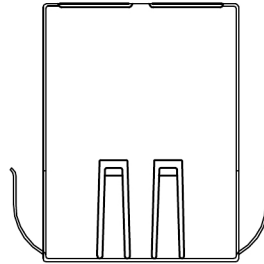


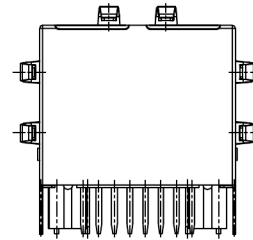
LEFT SIDE VIEW



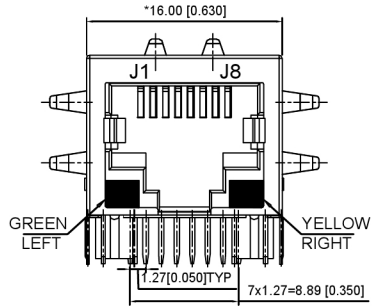
RIGHT SIDE VIEW



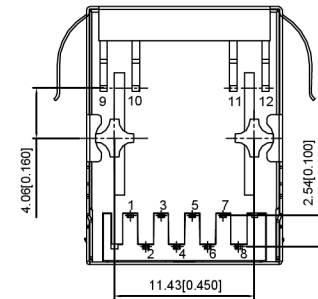
TOP VIEW



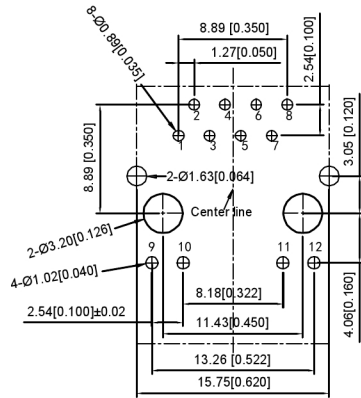
BACK VIEW



FRONT VIEW



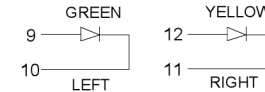
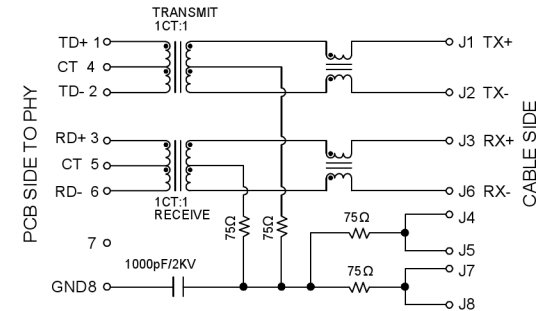
BOTTOM VIEW



RECOMMENDED PCB LAYOUT VIEWED FROM COMPONENT SIDE

ELECTRICAL 电气:

- Turn ratio 匝数比: 1~2: J1~J2=1CT:1CT(±2%)  
3~6: J3~J6=1CT:1CT(±2%)
- OCL 已占搭载量: 350uH Min. at 100KHz 100mV 8mA DC.
- Insertion Loss 插入损耗: -1.0 dB Max 1~100MHz
- Return loss 回程损耗: -20dB Min 1~10MHz  
-16dB Min 10~30MHz  
-12dB Min 30~60MHz  
-10dB Min 60~80MHz
- Cross talk 声道串扰: -40dB Min 1~30MHz;  
-35dB Min 30~60MHz;  
-30dB Min 60~100MHz;
- CMR 共模抑制: -30dB Min 1~100MHz;
- Hi-Pot 耐压测试: 1500V AC & 2250V DC 6S  
1mA PRI TO SEC



LED Specification

Standard LED Color	LED Wavelength	Forward(A)	Forward(V)
Green	568nm	20mA	1.85-2.45V
Yellow	585nm	20mA	1.7-2.2V

XKB Connectivity

MATERIAL 材料:

HOUSING 外壳: PBT,UL94V-0,BLACK.  
 TERMINALS BRACKET 端子支架: PBT,UL94V-0,BLACK.  
 SHIELD 保护物: C2680,T=0.20MM,NICKEL PLATING ON ALL AREA.  
 TERMINAL 端子: PHOSPHOR BRONZE C5210,T=0.35MM,  
 GOLD PLATING ON CONTACT AREA.

MECHANICAL 机械:

DURABILITY 耐用性: 750 CYCLES MIN.  
 MATING FORCE 配合力: 23N MAX.  
 OPERATING TEMPERATURE 工作温度: -40°C~+85°C.  
 STORAGE TEMPERATURE 储存温度: -40°C~+85°C.  
 ALL CRITICAL DIMENSIONS WITH ""\*\*"

广东星坤科技股份有限公司

ΔX	日期
ΔX	日期
ΔX	日期
MARK	DESCRIPTION

文件工程章

REVISIONS	DATE	REVISED	APPROVED	ANGLAR	±5°
				L ≤ 4	±0.2
				4 < L ≤ 16	±0.3
				16 < L ≤ 63	±0.4
				L > 63	±0.5
UNSPECIFIED TOLERANCES					



DSND	SCALE: N/A	MODEL TYPE:	RJ JACK
DWN	VIEW:	PART NO.:	
CHKD	UNIT: mm/in	DWG NO.:	X01AB002DA2AD
APPD	SIZE: A4	WEIGHT	SHEET
XKB INDUSTRIAL PRECISION CO., LIMITED		1/1	REVISIOI
			A0