

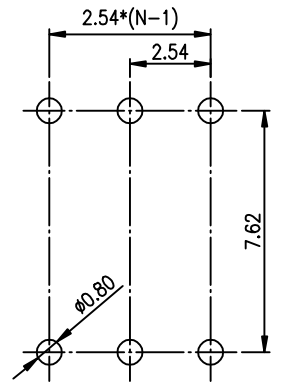
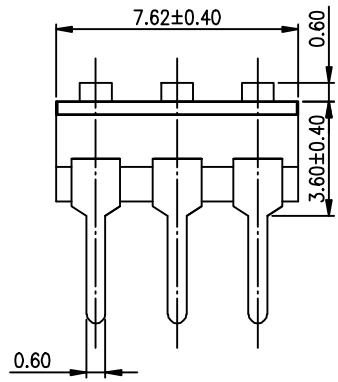
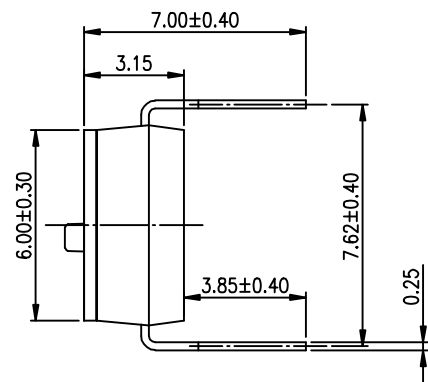
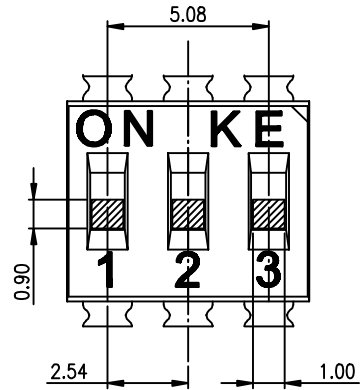
REV.	ECN NO.	DR	DATE

PRODUCT NO.	RoHS compliant
DSIC03LHGET	

- NOTES :
- Specification:
 - Operating force: 1000gf Max
 - Operating Temperature: -40° to +85°
 - Storage Temperature: -40° to +85°
 - Mechanical Life: 3000cycles minimum
 - Electrical Life: 2000cycles 25mA 24VDC
 - PLATING:
 - GOLD FLASH 1u"~2u" SOLDER TAIL,
 - 1u"~3u" GOLD PLATING ON THE CONTACT AREA,
 - WITH 50u" NICKEL UNDERPLATING OVERALL.
 - PART NUMBER DESCRIPTION

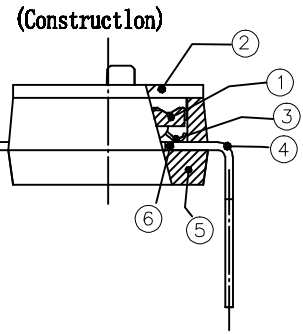
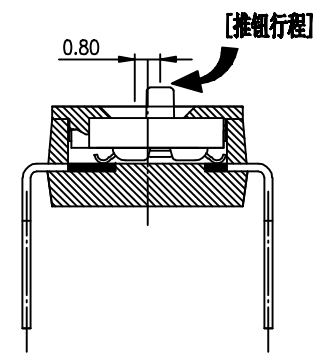
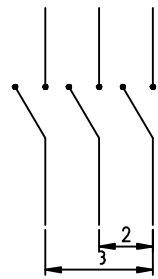
DSIC XX L H G E T

- [包装方式: T=管装 R=Reel]
- [电镀层: E=接触部 1u"~3u" / 焊脚部 1u"~2u"]
- [G=镀金 S=内金外镍]
- [脚型: S脚 / J脚 / B脚 / A脚 / Z脚]
- [T=低推贴胶 S=低推不贴胶 L=长推]
- [产品数: 01=1P 03=3P 12=12P]



RECOMMENDED P.C.B. LAYOUT (TOP VIEW)

[Schematic]



(Construction)

Number	Part Name	Material	Finished	TOLERANCE UNLESS OTHERWISE SPECIFIED		INSPECTION COPY	东莞市广普实业有限公司 DongGuan Kingtek Industrial Co., Ltd.			
				LINER	ANGLES					
①	Actuator	UL94 V0	White	.0 ± 0.25	0. ± 2'	PROJECTION 2012/04/12	TITLE			
②	Cover	UL94 V0	Black	.00 ± 0.15	.0 ± 1'		BY DSIC SERIES PITCH 2.54mm			
③	Movable	Copper Alloy	1u"~3u"Gold	.000± 0.10	.00± 0.5'		PRODUCT FAMILY DSIC SERIES			
④	Terminal	Brass	1u"~2u"Gold	DESIGN	kathy		PRAT NO.			
⑤	Base	UL94 V0	Black	DRAWING			DSIC03LHGET			
⑥	Terminal Contact	Brass	1u"~3u"Gold	CHECK			FILE NO. DSIC03LHGET-A			
				APPRO.		SIZE	UNIT	SCALE	SHEET	REV.
						A4	mm	2 : 1	1 OF 1	A