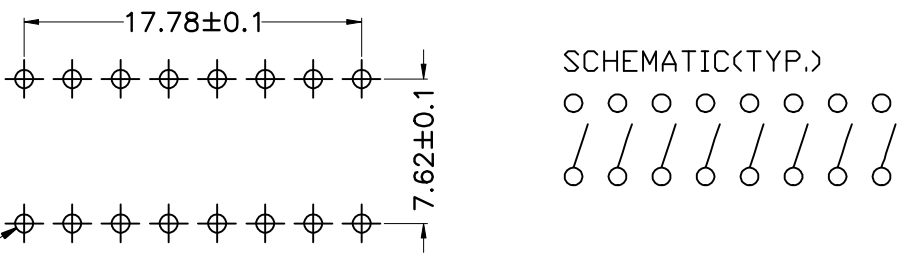
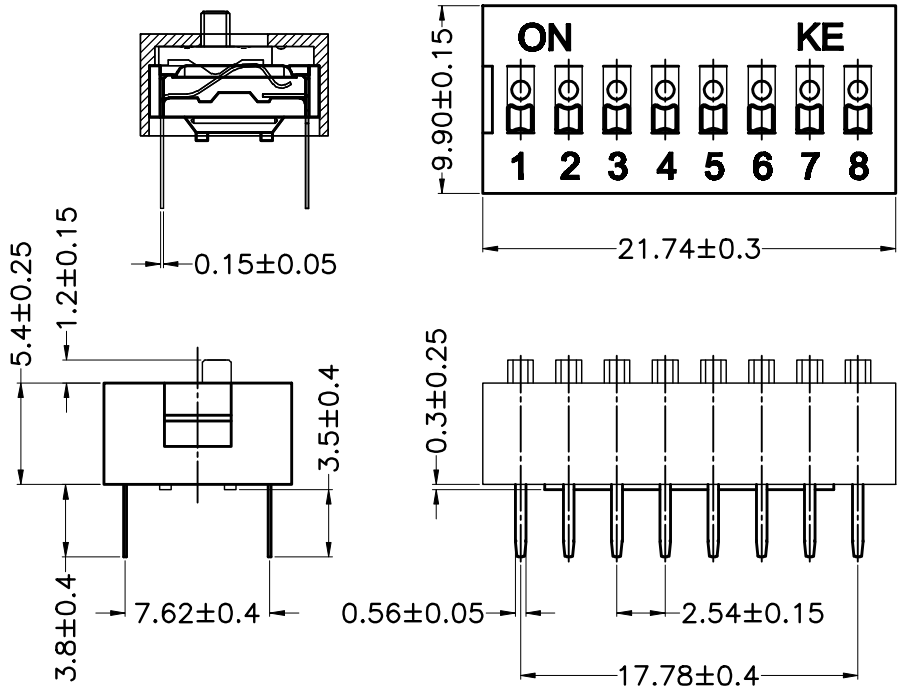


PRODUCT NO. DSWB08LHGETR	1   2   3   4   5   6
RoHS compliant	REV. ECN NO. DR DATE

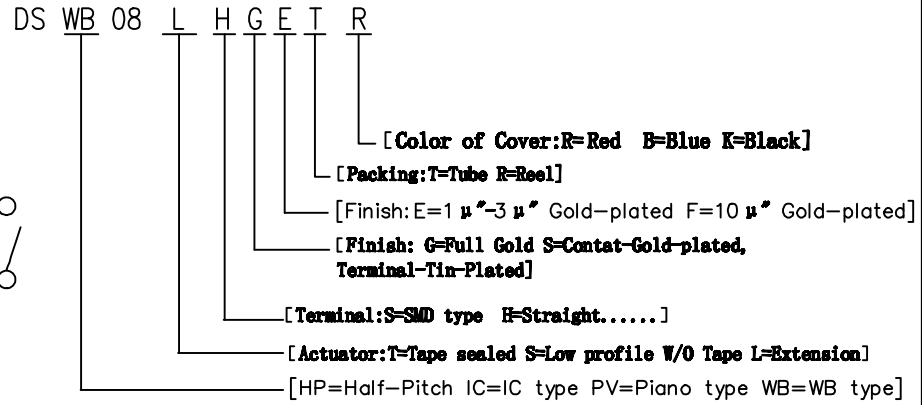


PCB Layout

- 注意:**
1. 波峰焊: 推荐焊锡温度在 $270^{\circ}\text{C} \pm 5^{\circ}\text{C}$ , 浸锡时间为5~6秒钟。
  2. 手工焊: 使用30瓦烙铁控制温度在 $320^{\circ}\text{C}$ , 焊接时间大约2~3秒钟。
  3. 拨柄位置: 产品焊接时, 请将产品的拨柄置于OFF端, 能给予产品更好的接触性能。
  4. 清洗过程: 清洗使用超音波方式, 能给予更好的效果。

- Note:**
1. All dimensions are in millimeters.
  2. General tolerance:  $\pm 0.2\text{mm}$ .
  3. Material:
    - Base: UL94V-0 PBT Thermoplastic (Black).
    - Cover: UL94V-0 PBT Thermoplastic (Black/Red/Blue).
    - Actuators: UL94V-0 PBT Thermoplastic (White).
    - Contact plating: Gold plating over nickel.
    - Pitting material: Epoxy.
  4. Electrical
    - Electrical: 2000 Operations per switch 24/VDC, 25mA.
    - Non-Switching Rating: 100mA, 50/VDC.
    - Switching Rating: 25mA, 24/VDC.
    - Contact Resistance: 100 mΩ Max. at initial.
  5. Mechanical
    - Mechanical life: 2000 Operations per switch.
    - Stroke: 2.0mm.
    - Operation Temp:  $-20^{\circ}\text{C}$  to  $70^{\circ}\text{C}$ .
    - Storage Temp:  $-40^{\circ}\text{C}$  to  $85^{\circ}\text{C}$ .

**6. PART NUMBER DESCRIPTION:**



TOLERANCE UNLESS OTHERWISE SPECIFIED		INSPECTION COPY	
LINER	ANGLES	PROJECTION	
.0 ± 0.30	0. ± 1'		TITLE
.00 ± 0.20	.0 ± 0.5'		BY DSWB SERIES PITCH 2.54mm
.000± 0.10	.00±	DESIGN	PRODUCT FAMILY DSWB SERIES
DR	LU ER XIN	2013/07/02	PRAT NO. DSWB08LHGETR
DRAWING			FILE NO. DSWB08LHGETR-A
CHECK			SIZE UNIT SCALE SHEET REV.
APPRO.			A4 mm FIT 1 OF 1 A