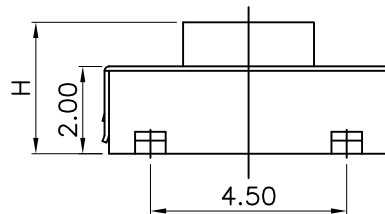
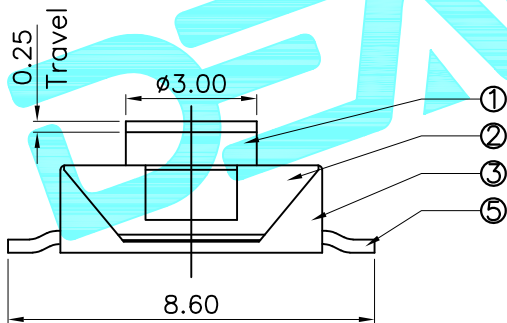


Circuit Diagram



NO.1	
PART NO	H
XX	2.5
XX	2.7
XX	3.1
XX	3.4
XX	4.3

NO.2	
PART NO	vigor
070	70±30
100	100±50
160	160±50
250	250±50
320	320±80
350	350±80
520	520±130



ITEM	PART NAME	QTY.	MATERIAL	FINISHING
⑤	Terminal	4	Copper(0.3t)	Plating silver
④	Contact	1	F.Ag/C5210	Natural
③	Base	1	Nylon	Black
②	Cover	1	Brass(0.15t)	Plating Nickel
①	Keystoke	1	Nylon	Red

APPROVALS		DATE
DRAWN	G.M.Chen	2015/1/9
CHECKED		
APPROVALS		

DEALON 德之隆®
ELECTRONICS CO.,LTD

ECN NO.	REV.	DATE.	DESCRIPTION.	CHANGE.	CHECK.	APPRO.	TOLERANCES ARE	ANGLE	DRAWING NO.	SHEET
	A		NEW				30~PL: ±0.30 10~30 ±0.20 5~10 ±0.15 ~ 5 ±0.10	±2'		1 OF 1
									TITLE: TACT SWITCHES	
									PART NO. TD-1125SR-XXX-XXX	
									UNIT: mm SCALE: 1:1	
									PROJ:	