

4

3

2

1

THIS DRAWING IS UNPUBLISHED.

RELEASED FOR PUBLICATION

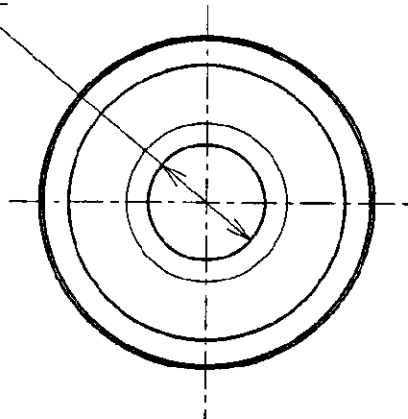
, 19

© COPYRIGHT 19

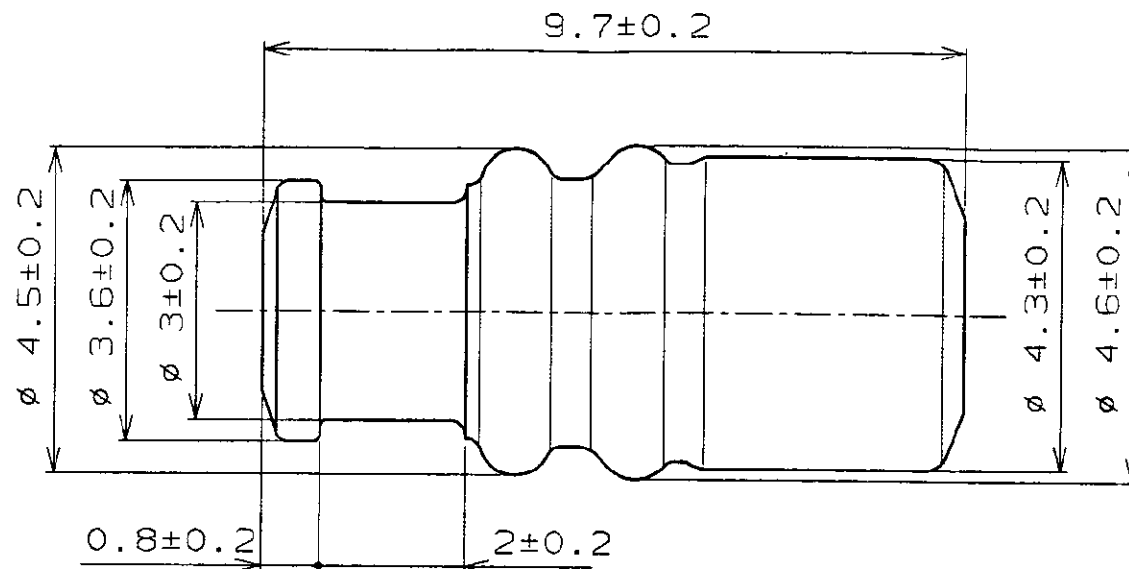
BY AMP INCORPORATED. ALL RIGHTS RESERVED.

REVISIONS					
P	LTR	DESCRIPTION	ECN	DATE	APVD
0		作成 DRAWN	FJ00-4706-96	6/3 '96	JH 82

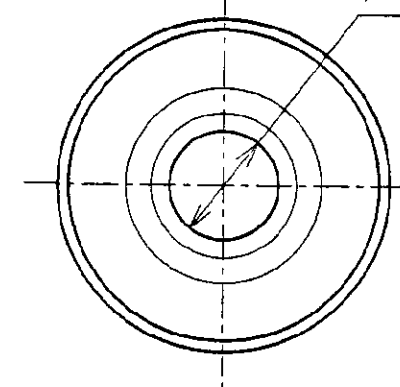
∅ 1.6±0.2



9.7±0.2



∅ 1.5±0.2



SIR	DARK PURPLE (濃紫)	1-900325-9
材料(MATERIAL)	色(COLOR)	型番(P/N)

WIRE RANGE 適合電線断面積 0.5~0.85mm ²	INSULATION DIA 被覆外径 ∅2.0~∅2.3
--	-------------------------------------

DIMENSIONS: 單位: mm		TOLERANCES UNLESS OTHERWISE SPECIFIED 一般公差		DWN 9. Hayashi 6/3 '96
		±0.2 ±0.25 ±0.3 ANGLE: ±2°		CHK
		APVD S. Ozaki 6/3 '96		PRODUCT SPEC 製品規格 108-5355 APPLICATION SPEC 取付適用規格 114-5230
MATERIAL 材料	SIR	FINISH 仕上		WEIGHT 0.11g

AMP Kawasaki, Japan		
NAME 名称 .070 RUBBER PLUG (M)		
SIZE A3	CAGE CODE 00779	DRAWING NO C-900325
CUSTOMER DRAWING		SCALE 尺 10-1
SHEET 1 OF 1		REV 0