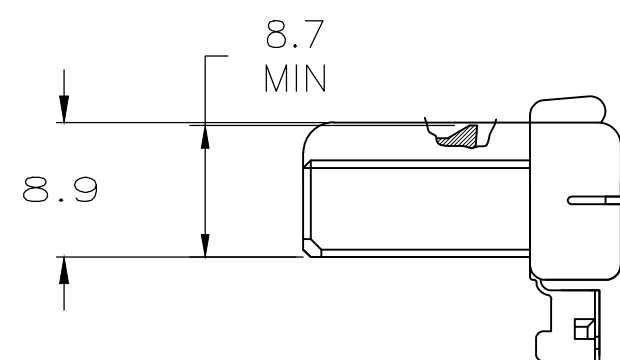
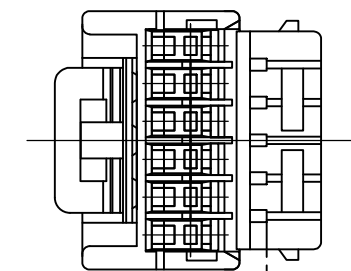
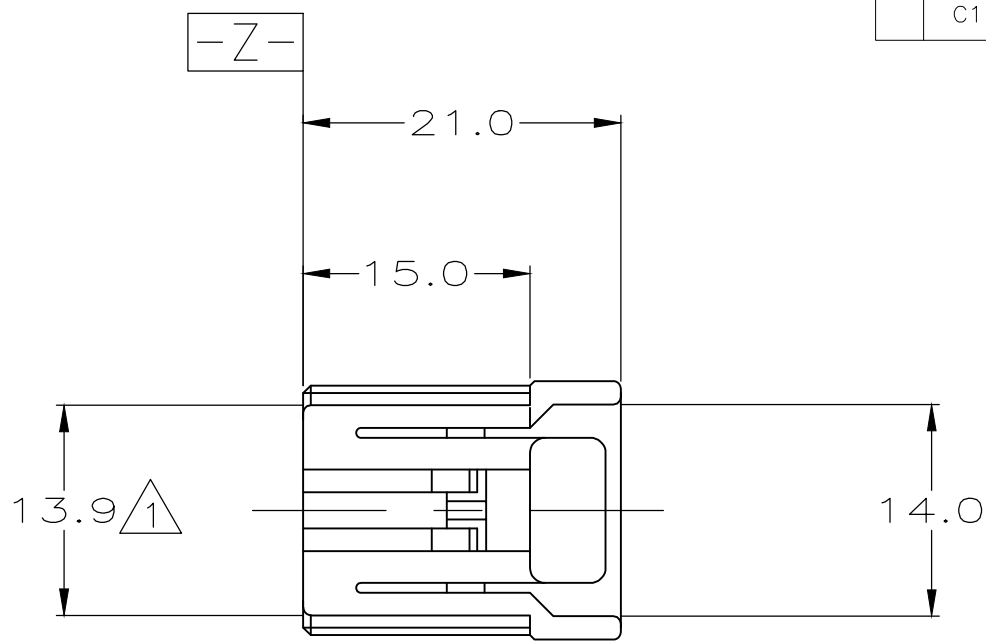
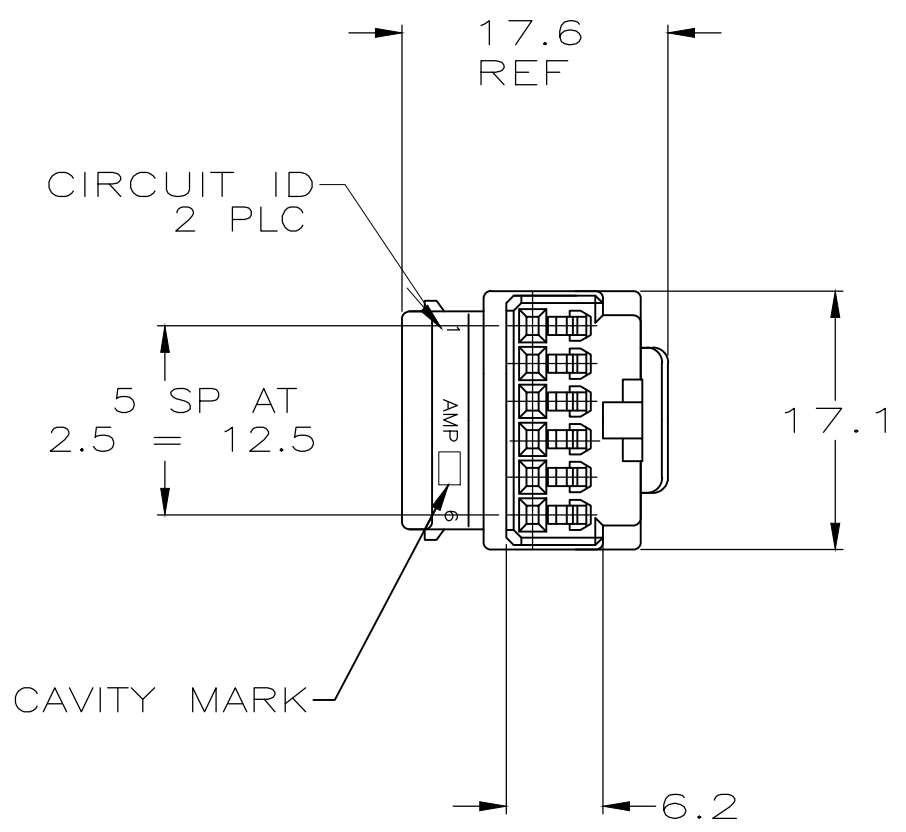


REVISIONS					
P	LTR	DESCRIPTION	DATE	DWN	APVD
	C	EC OK80-0110-02	25APR02	JRB	SSA
	C1	REV PER ECO-20-011282	12AUG2020	GTG	MT



- 1. MUST BE HELD BETWEEN -Z- AND 2MM
- 2. THE MATING CAP ASSEMBLY PART NUMBER IS 175506(SCREW MOUNTING TYPE) OR 776203(BOARDLOCK MOUNTING TYPE)
- 3. APPLIED RECEPTACLE CONTACT IS 173681

OBSOLETE	YELLOW	776204-7
	BLACK	776204-2
	COLOR	PART NUMBER

THIS DRAWING IS A CONTROLLED DOCUMENT.		DWN P. YEAGER 5-22-96	STE TE Connectivity														
DIMENSIONS: mm		CHK R. GRAY 5-22-96															
TOLERANCES UNLESS OTHERWISE SPECIFIED:		APVD R. GRAY 5-22-96	NAME 6 POSN PLUG HOUSING .040 SERIES MULTI-LOCK I/O CONN														
<table border="0"> <tr><td>0 PLC</td><td>± 0.25</td></tr> <tr><td>1 PLC</td><td>± 0.15</td></tr> <tr><td>2 PLC</td><td>± 0.1</td></tr> <tr><td>3 PLC</td><td>± -</td></tr> <tr><td>4 PLC</td><td>± -</td></tr> <tr><td>ANGLES</td><td>± -</td></tr> </table>		0 PLC	± 0.25	1 PLC	± 0.15	2 PLC	± 0.1	3 PLC	± -	4 PLC	± -	ANGLES	± -	PRODUCT SPEC 108-5281	RESTRICTED TO		
0 PLC	± 0.25																
1 PLC	± 0.15																
2 PLC	± 0.1																
3 PLC	± -																
4 PLC	± -																
ANGLES	± -																
MATERIAL		APPLICATION SPEC	SIZE	CAGE CODE	DRAWING NO												
FINISH		WEIGHT	A3 00779		C-776204												
		CUSTOMER DRAWING		SCALE	SHEET												
				2:1	1 OF 1												
				REV	C1												