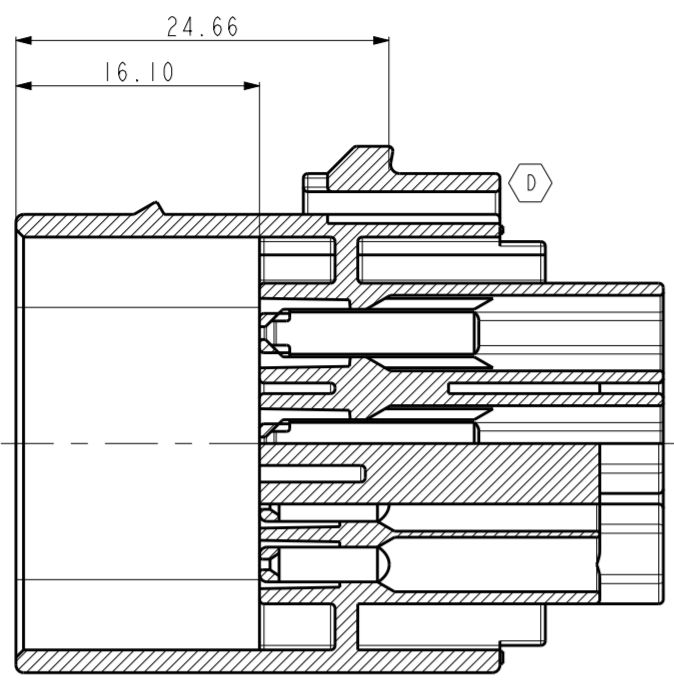
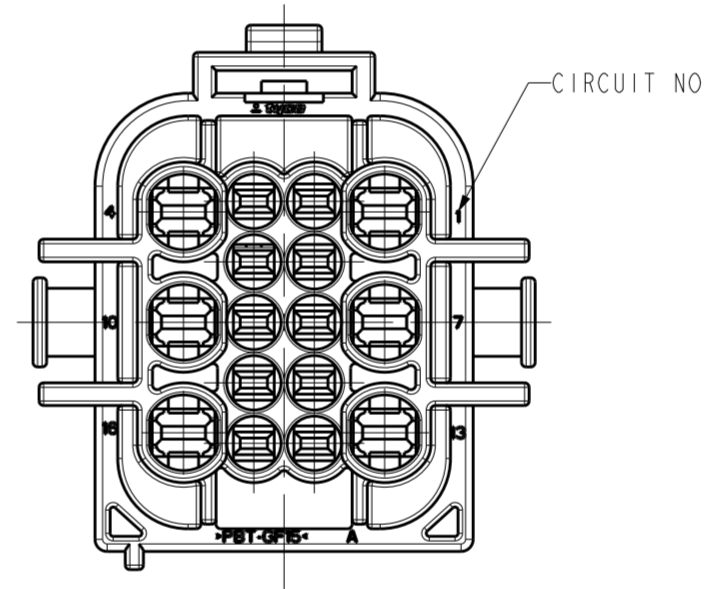
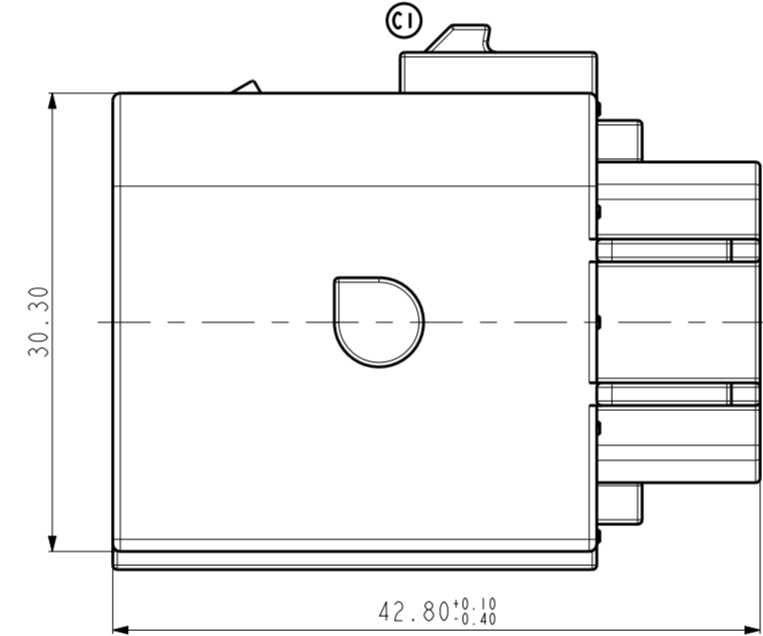
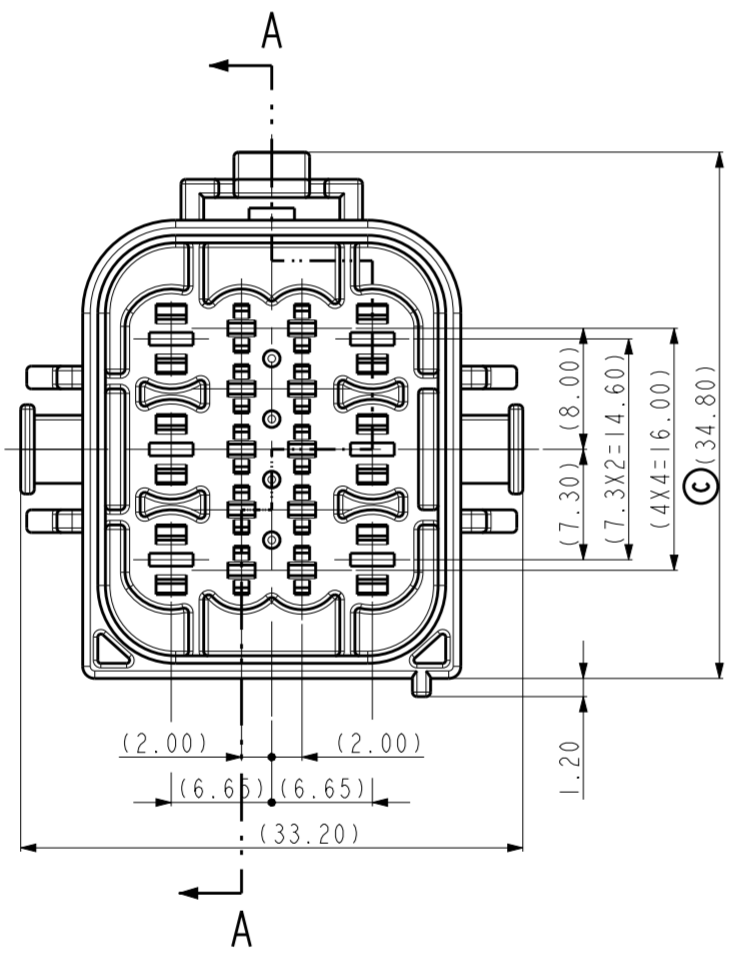
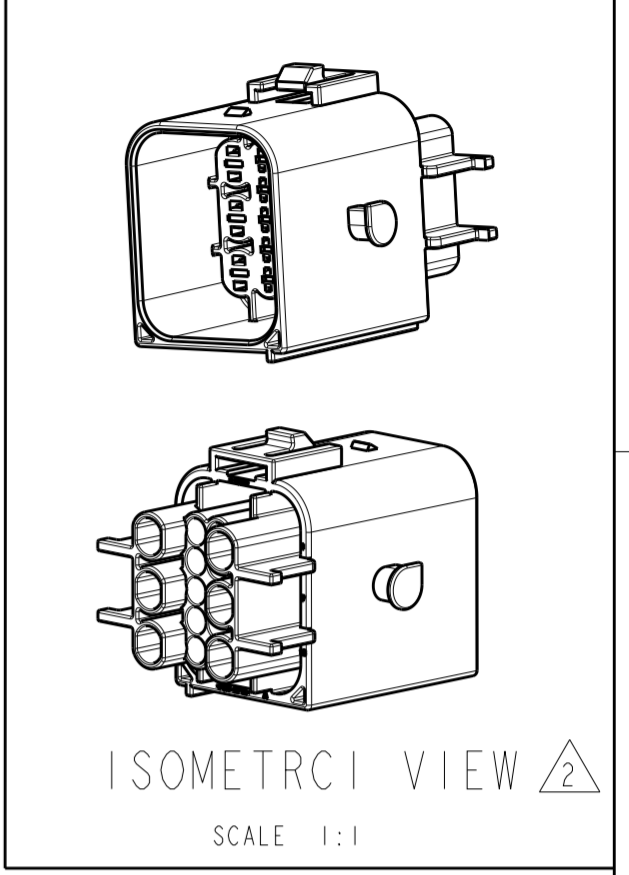
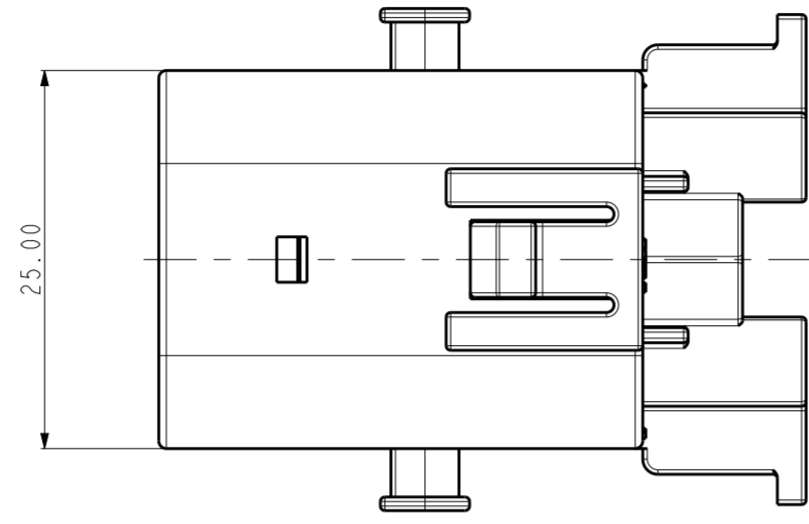


THIS DRAWING IS UNPUBLISHED. RELEASED FOR PUBLICATION 2016
 © COPYRIGHT 2005 BY TE CONNECTIVITY ALL RIGHTS RESERVED.

REVISIONS				
P	LTR	DESCRIPTION	DATE	APVD
C1		REVISED (ECR-11-009078)	02/MAY/11	SJ HG
C2		REVISED (ECR-16-010603)	22JUL2016	JM JW
C3		REVISED (ECR-17-007056)	18MAY2017	JM JW
D		REVISED (ECR-18-009887)	25MAR2019	YH YJ



SECTION A-A



<TABLE 2>

TYPE	PART NO.	WIRE INSULATION DIAMETER (mm)	COLOR
MTII	964971-1	1.2~1.6	RED
	963530-1	1.4~1.9	GRAY
	963531-1	CAVITY PLUG	WHITE
JPT	828904-1	1.2~2.1	BLUE
	828905-1	2.2~3.0	WHITE
	828922-1	CAVITY PLUG	NATURAL

<TABLE 1>

TYPE	PART NO.	WIRE SIZE (mm ²)	FINISH
MTII	0-963902-1	0.25~0.5	CuSn4
	0-963902-3		CuSn4(GOLD)
	0-963904-1	0.5~1.0	CuSn4
	0-963904-3		CuSn4(GOLD)
JPT	1-962915-1	0.5~0.85	CuSn4
	1-962915-3		CuSn4(GOLD)
	1-962916-1	1.25~2.0	CuSn4
1-962916-3	CuSn4(GOLD)		

- NOTES:
 1. GENERAL TOLERANCE : ±0.3, ±3°
 2. CONDITION OF DELIVERY
 3. APPLICABLE PLUG ASS'Y P/N : X-1743350-X
 APPLICABLE WIRE COVER P/N : X-1743355-X
 4. APPLICABLE RECEPTACLE CONTACT P/N : TABLE 1
 5. APPLICABLE WIRE SEAL P/N : TABLE 2

P/N	DESCRIPTION	MATERIAL	COLOR
1743354-3	CAP HSG	PBT GF15	GRAY
1743354-2	CAP HSG	PBT GF15	BLACK

THIS DRAWING IS A CONTROLLED DOCUMENT.

DWN CH PARK	 TE Connectivity	NAME CAP HOUSING FOR MTII/JPT HYBRID SEALED 16P CONN'R		
CHK BM JANG				
APVD JK SONG				
PRODUCT SPEC				
APPLICATION SPEC	SIZE	CAGE CODE	DRAWING NO	RESTRICTED TO
WEIGHT	A2	00779	C-1743354	-
CUSTOMER DRAWING	SCALE	2:1	SHEET	OF
			1	1
				REV
				D