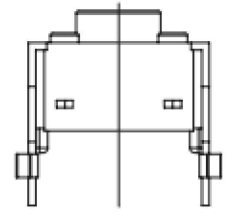
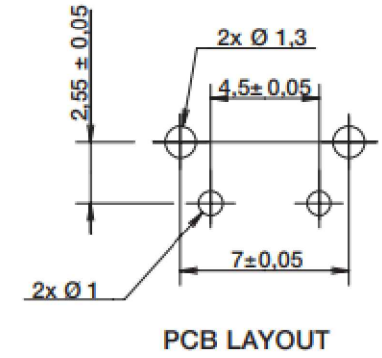
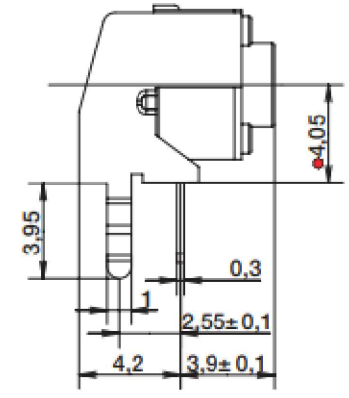
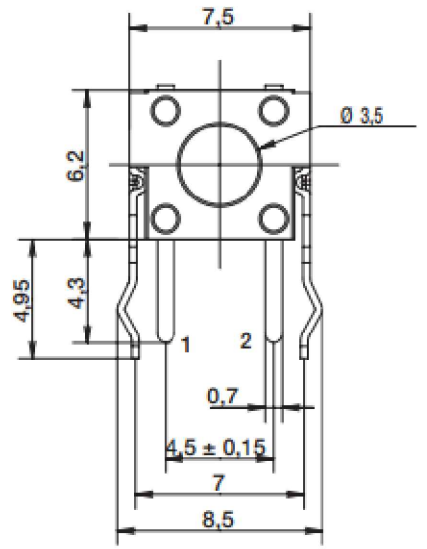
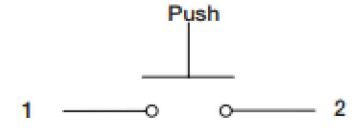


REV.	ECN. NO.	APPD.



SCHEMATIC



PCB LAYOUT

Specification

Operating Life	100,000
Contact rating	50mA@12V DC.
Insulation resistance	1011Ω min.
Contact resistance	100mΩ max. initial.
Dielectric Strength	250 V AC(1mm)
Terminals	PC pins
Storage Temperature	-30° C to85° C

Packaging:
Bulk packaging of 1,000 pieces.

Mechanical

Actuation Force	Operatin g Force (gf)	H	Height mm
L	130±50	31	3.15
M	160±50	39	3.85
H	200±50	58	5.85
K	260±50	83	8.35

X. ± 0.50	X.° ± 2°	UNITS mm
.X ± 0.30	.X° ± 1°	
.XX ± 0.10	.XX° ± 0.5°	MAT'L
.XXX ± 0.05		

THESE DRAWINGS AND SPECIFICATIONS ARE THE PROPERTY OF YIYUAN TECHNOLOGY CO.,LTD AND SHALL NOT BE REPRODUCED, COPIED OR USED IN ANY MANNER WITHOUT THE PRIOR WRITTEN CONSENT OF YIYUAN TECHNOLOGY CO.,LTD

FINISH	Q'TY
--------	------

yi YUAN 深圳市怡远科技有限公司
SHENZHEN YIYUAN TECHNOLOGY CO., LTD

PART NO. YTS 645 V	TITLE: TACTILE SWITCH
------------------------------	---------------------------------

APPD: ROGER	DWG NO. : YTS 645 V		SCALE	SHEET	REV.
CHKD: ROC					
DR: BILLY WANG 2020/08/21					

1/1	1/1	A1
-----	-----	----