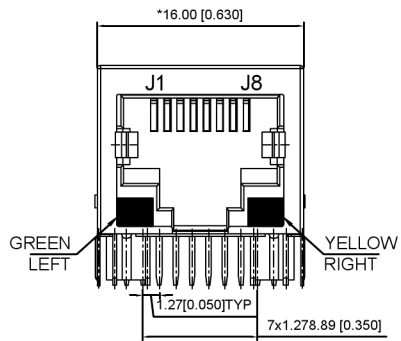
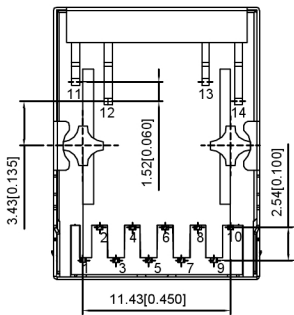


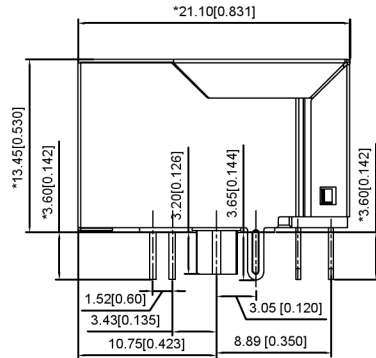
LEFT SIDE VIEW



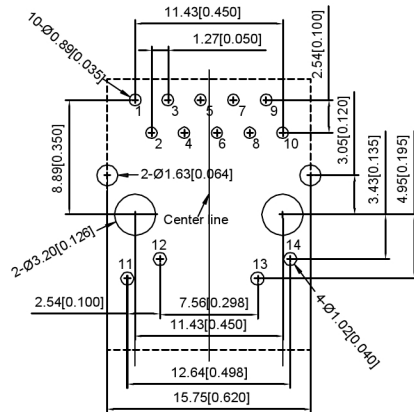
FRONT VIEW



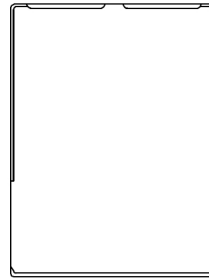
BOTTOM VIEW



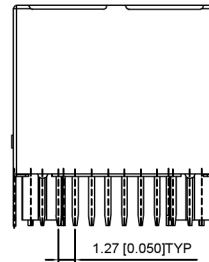
RIGHT SIDE VIEW



RECOMMENDED PCB LAYOUT VIEWED FROM COMPONENT SIDE



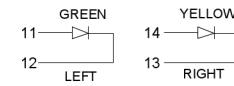
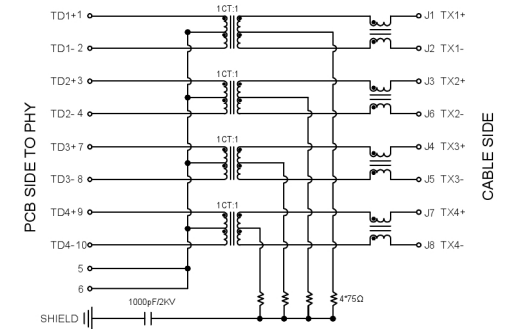
TOP VIEW



BACK VIEW

Electrical 电气:

- Turn ratio 匝数比: 2~3: J1~J2=1CT:1CT(±2%), 4~7: J3~J6=1CT:1CT(±2%), 5~6: J4~J5=1CT:1CT(±2%), 8~9: J7~J8=1CT:1CT(±2%)
- OCL: 350uH Min. at 100KHz 100mV 8mA DC.
- Insertion Loss 插入损耗: -1.0 dB Max 1~100MHz
- Return loss 回程损耗: -18dB Min 1~30MHz, -14dB Min 30~60MHz, -12dB Min 60~80MHz, -10dB Min 80~100MHz
- Cross talk 声道串扰: -40dB Min 1~30MHz; -35dB Min 30~60MHz; -30dB Min 60~100MHz;
- CMR 共模抑制: -30dB Min 1~100MHz;
- Hi-Pot 耐压测试: 1500V AC & 2250V DC 6S 1mA PRI TO SEC



LED Specification

| Standard LED Color | LED Wavelength | Forward(A) | Forward(V) |
|--------------------|----------------|------------|------------|
| Green | 568nm | 20mA | 1.8-2.45V |
| Yellow | 585nm | 20mA | 1.7-2.2V |

XKB Connectivity

MATERIAL 材料:

HOUSING 外壳: PBT, UL94V-0, BLACK, HF

TERMINALS BRACKET 端子支架: PBT, UL94V-0, BLACK, HF

SHIELD 保护物: C2680, T=0.20MM, NICKEL PLATING ON ALL AREA.

TERMINAL 端子: PHOSPHOR BRONZE C5210, T=0.35MM, GOLD PLATING ON CONTACT AREA.

MECHANICAL 机械:

DURABILITY 耐用性: 750 CYCLES MIN.

MATING FORCE 配合力: 23N MAX.

OPERATING TEMPERATURE 工作温度: -40°C~+85°C.

STORAGE TEMPERATURE 储存温度: -40°C~+85°C.

ALL CRITICAL DIMENSIONS WITH "MM"

广东星坤科技股份有限公司

| | |
|------|----|
| ΔX | 日期 |
| ΔX | |
| ΔX | |
| MARK | |

文件工程章

| REVISIONS | DATE | REVISED | APPROVED | DESCRIPTION |
|-----------|------|---------|----------|-------------|
| | | | | |

| | | | | | |
|------------------------|------------|------------|-----------------|------------------|-------------|
| UNSPECIFIED TOLERANCES | ANGLAR ±5° | L ≤ 4 ±0.2 | 4 < L ≤ 16 ±0.3 | 16 < L ≤ 63 ±0.4 | L > 63 ±0.5 |
|------------------------|------------|------------|-----------------|------------------|-------------|

www.helloxkb.com www.helloxkb.cn www.xk-dg.cn



| | | |
|------|-------------|------------------------|
| DSND | SCALE: N/A | MODEL TYPE: RJ JACK |
| DWN | VIEW: | PART NO.: |
| CHKD | UNIT: mm/in | DWG NO.: X01AQ070CA2AD |
| APPD | SIZE: A4 | WEIGHT |
| | | SHEET 1/1 |
| | | REVISIOI A0 |

XKB INDUSTRIAL PRECISION CO., LIMITED