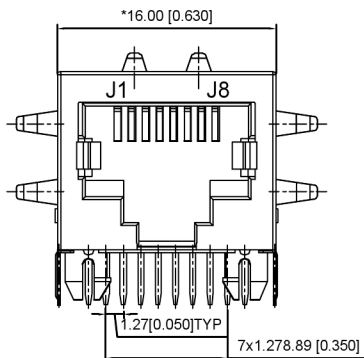
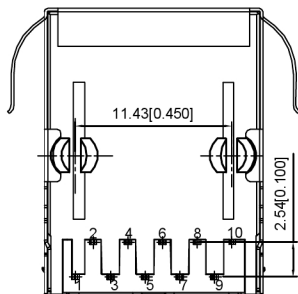


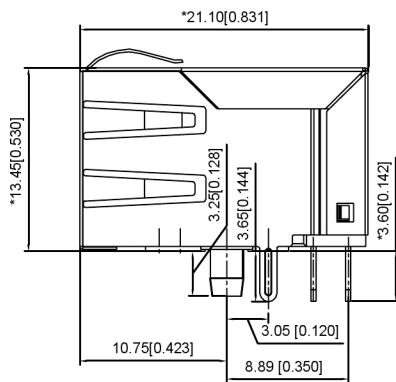
LEFT SIDE VIEW



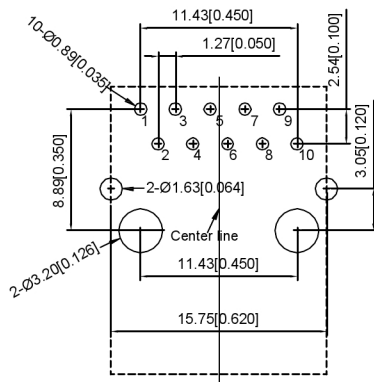
FRONT VIEW



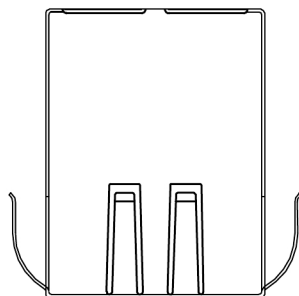
BOTTOM VIEW



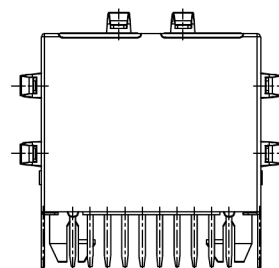
RIGHT SIDE VIEW



RECOMMENDED PCB LAYOUT VIEWED FROM COMPONENT SIDE



TOP VIEW

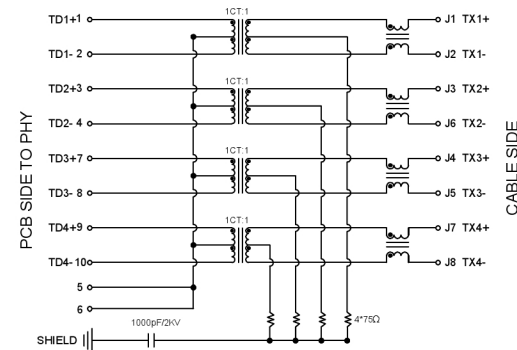


BACK VIEW

XKB Connectivity

Electrical 电气:

- Turn ratio 匝数比: 1~2: J1~J2=1CT:1CT(±2%)  
3~4: J3~J6=1CT:1CT(±2%)  
7~8: J4~J5=1CT:1CT(±2%)  
9~10: J7~J8=1CT:1CT(±2%)
- OCL: 350uH Min at 100KHz 100mV 8mA DC.
- Insertion Loss 插入损耗: -1.0 dB Max 1~100MHz.
- Return loss 回程损耗: -18dB Min 1~30MHz  
-14dB Min 30~60MHz  
-12dB Min 60~80MHz  
-10dB Min 80~100MHz
- Cross talk 串扰: -40dB Min 1~30MHz;  
-35dB Min 30~60MHz;  
-30dB Min 60~100MHz;
- CMR 共模抑制: -30dB Min 1~100MHz;
- Hi-Pot 耐压测试: 1500V AC & 2250V DC 6S  
1mA PRI TO SEC



XKB Connectivity

MATERIAL 材料:

HOUSING 外壳: PBT, UL94V-0, BLACK. HF  
TERMINALS BRACKET 端子支架: PBT, UL94V-0, BLACK. HF  
SHIELD 保护物: C2680, T=0.20MM, NICKEL PLATING ON ALL AREA.  
TERMINAL 端子: PHOSPHOR BRONZE C5210, T=0.35MM, GOLD PLATING ON CONTACT AREA.

MECHANICAL 机械:

DURABILITY 耐用性: 750 CYCLES MIN.  
MATING FORCE 配合力: 23N MAX.  
OPERATING TEMPERATURE 工作温度: -40°C~+85°C.  
STORAGE TEMPERATURE 储存温度: -40°C~+85°C.  
ALL CRITICAL DIMENSIONS WITH "MM"



|      |             |             |              |
|------|-------------|-------------|--------------|
| DSND | SCALE: N/A  | MODEL TYPE: | RJ JACK      |
| DWN  | VIEW:       | PART NO.:   |              |
| CHKD | UNIT: mm/in | DWG NO.:    | X01AQ070HWDD |
| APPD | SIZE: A4    | WEIGHT      | SHEET        |
|      |             | REVISION    | A0           |

广东星坤科技股份有限公司

|      |             |
|------|-------------|
| △X   | 日期          |
| △X   |             |
| △X   |             |
| MARK | DESCRIPTION |

文件工程章

|           |      |         |          |                        |
|-----------|------|---------|----------|------------------------|
| REVISIONS | DATE | REVISED | APPROVED | UNSPECIFIED TOLERANCES |
|           |      |         |          |                        |