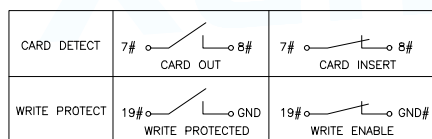
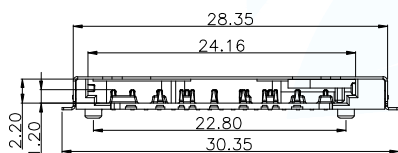


RECOMMENDER PCB LAYOUT
TOLERANCE UNLESS OTHERWISE IS ±0.05



PIN DEFINE:

PIN#	NAME	DESCRIPTION	PIN#	NAME	DESCRIPTION
1	VSS3	GROUND	11	VDD1	SUPPLY VOLTAGE
2	DAT2	DATA LINE BIT2	12	D1-	DIFFERENTIAL DATE 1-
3	D0+	DIFFERENTIAL DATE 0+	13	CLK	CLOCK
4	CD/DAT3	CARD DETECT/DATA LINE BIT3	14	D1+	DIFFERENTIAL DATE 1+
5	D0-	DIFFERENTIAL DATE 0-	15	VSS2	SUPPLY VOLTAGE GROUND
6	CMD	COMMAND/RESPONSE	16	VSS5	GROUND
7	CD	CARD DETECT	17	DAT0	DATA LINE BIT0
8	VSS1	SUPPLY VOLTAGE GROUND	18	DAT1	DATA LINE BIT1
9	VSS4	GROUND	19	WP	WRITE PROTECT
10	VDD2	SUPPLY VOLTAGE(1.8V)			

SPECIFICATION

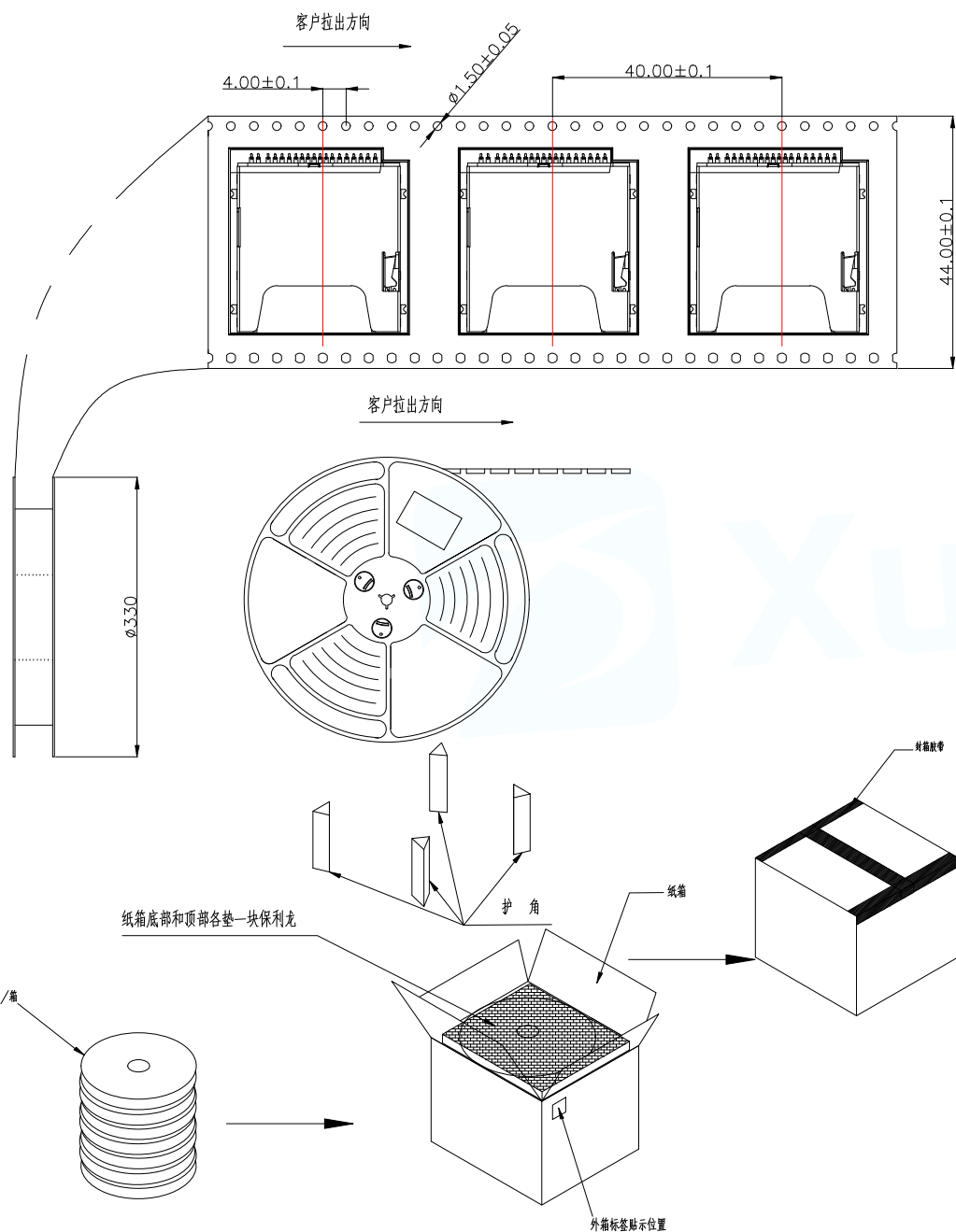
1.Material:

Insulator: LCP, rated UL94V-0,color:black.
Contacts: Phosphor Bronze,
Tin 80u'MIN at Solder Tail,
Selected Gold on Contact Area Plating.
Shell: Stainless.
Gold at Solder Tail,
Over Nickel Plating.

2.Electrical Characteristics:

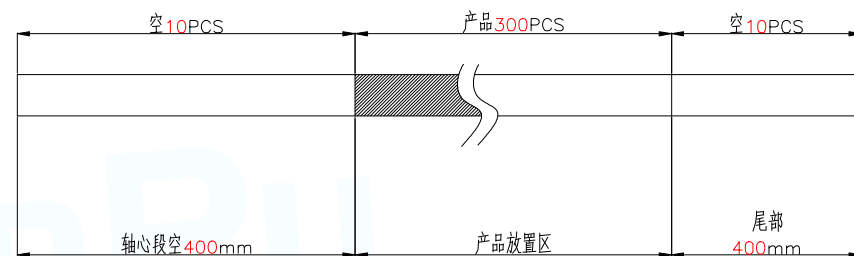
Operating voltage : 500V(AC/DC).
Current rating : 1.0 A.
Operating Temperature: -25°C~+85°C.
Insulation resistance: 1000M ohms min. at 250VDC
Dielectric withstanding voltage:500 VAC/1minute.
Contact resistance: 100m ohms max.
Mating cycle: 5000 cycles, spring is not breaking.

MANUFACTURE DWG		东莞市讯普电子科技有限公司 DongGuan XunPu Electronics Co.,Ltd	TITLE: SD 4.0 CARD PUSHH CONN.	
UNLESS OTHERWISE SPECIFIED TOLERANCES			PAR	SD-401-ACP19
DECIMALS:	ANGLES:	DWN		
.X:±0.30	X':±2'	CHKD		
.XX:±0.20	X.X':±1'	APVD		
.XXX:±0.10		SCALE1:1	UNIT:MM	
	Website address	SIZE:A4	SHEET:1F1	
			REV:A	



NOTES

1. 每卷包装数量: 300PCS/每卷
2. 卷带包装方式:



3. 每箱包装数量: 1800PCS/箱

MANUFACTURE DWG		东莞市讯普电子科技有限公司 DongGuan XunPu Electronics Co.,Ltd	TITLE: SD 4.0 CARD PUSHH CONN.	
UNLESS OTHERWISE SPECIFIED TOLERANCES			PAR	SD-401-ACP19
DECIMALS:	ANGLES:	DWN		
.X:±0.30	X.':±2'	CHKD		
.XX:±0.20	X.X':±1"	APVD		
.XXX:±0.10		SCALE:1:1	UNIT:MM	
		SIZE:A4	SHEET:1F1	
		Website address	REV:A	