

A1	A2	A3	A4	A5	A6	A7	A8	A9	A10	A11	A12
GND	TXp1	TXn1	Vbus	CC1	D+	D-	SBU1	Vbus	RXn2	RXp2	GND
GND	RXp1	RXn1	Vbus	SBU2	D-	D+	CC2	Vbus	TXn2	TXp2	GND
B12	B11	B10	B9	B8	B7	B6	B5	B4	B3	B2	B1

NOTE:

- MATERIAL SPECIFICATION:
 - HOUSING: HIGH TEMPERATURE RESISTANT PLASTIC, UL94 V-0.
 - CONTACTS: COPPER ALLOY (C1814)
 - MID PLATE: STAINLESS STEEL (SUS301)
 - FRONT SHELL: STAINLESS STEEL (SUS304)
 - EMI PLATE: STAINLESS STEEL (SUS304)
- PLATING SPECIFICATION:
 - TERMINAL:
 - Ni 50u" MIN. UNDER PLATED OVER ALL.
 - Au PLATED ON THE FUNCTIONAL AREA OF CONTACT.
 - (GOLD PLATING THICKNESS FOLLOW THE P/N)
 - PLATING SPECIFICATIONS OF THE SOLDER AREA FOLLOW THE P/N
 - FRONT SHELL:
 - Ni 30u" MIN. UNDER PLATED OVER ALL.
 - MID PLATE & EMI PLATE:
 - CLEAR ONLY
- MECHANICAL PERFORMANCE,
 - INSERTION FORCE: 0.5~2.0kgf.
 - REMOVAL FORCE: 0.8kgf~2.0kgf.
 - DURABILITY: 10000 CYCLES.
- ELECTRICAL PERFORMANCE,
 - CURRENT RATING: 5.0A
VOLTAGE RATING: 5.0V
 - LLCR:
 - VBUS & GND PINS AND OTHER PINS: 40mA/PIN MAX.
 - SHIELD: 50mA/MAX.
 - LLCR MAX. CHANGE OF ALL PINS: 10mA.
 - INSULATION RESISTANCE: 100MΩ MIN
 - DIELECTRIC WITHSTAND VOLTAGE, AC 100V FOR 1 MINUTE.
- ENVIRONMENTAL PERFORMANCE:
 - OPERATING TEMPERATURE: -25°C~+85°C.
- IR REFLOW:
 - THE PEAK TEMPERATURE ON THE BOARD SHALL BE MAINTAINED FOR 10 SECONDS AT 260°C.

MANUFACTURE DWG			东莞市讯普电子科技有限公司 DongGuan XunPu Electronics Co., Ltd	
UNLESS OTHERWISE SPECIFIED TOLERANCES			TITLE: USB C F SPLINT CONN. WITH EMI PCB=0.8&1.0	
DECIMALS:	ANGLES:	PAR	TYPEC-1103-BRP24	
X.X: ±0.30	X°: ±10°	DWN		
X.XX: ±0.20	.X°: ±8°	CHKD		
X.XXX: ±0.10	.XX°: ±5°	APVD		
CUSTOMER COPY		SCALE 1:1	UNIT: MM	
		SIZE: A4	SHEET: 1F1	REV: A

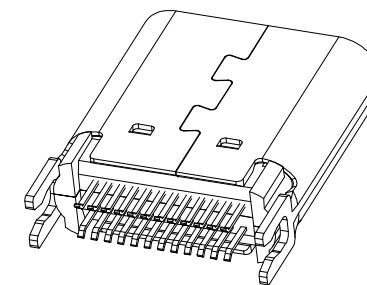
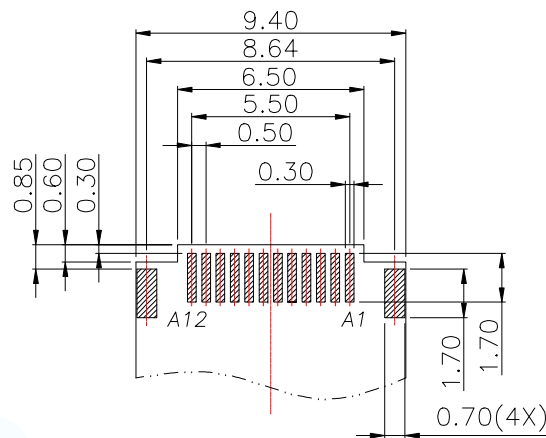
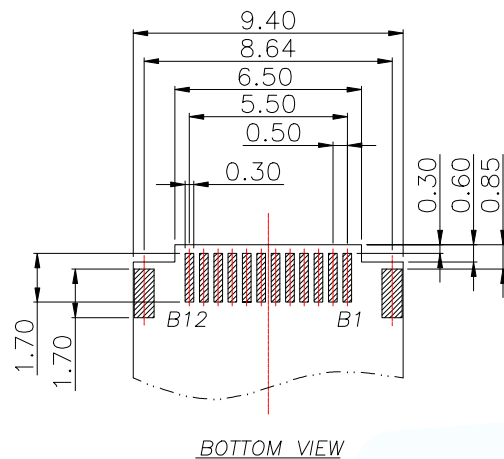
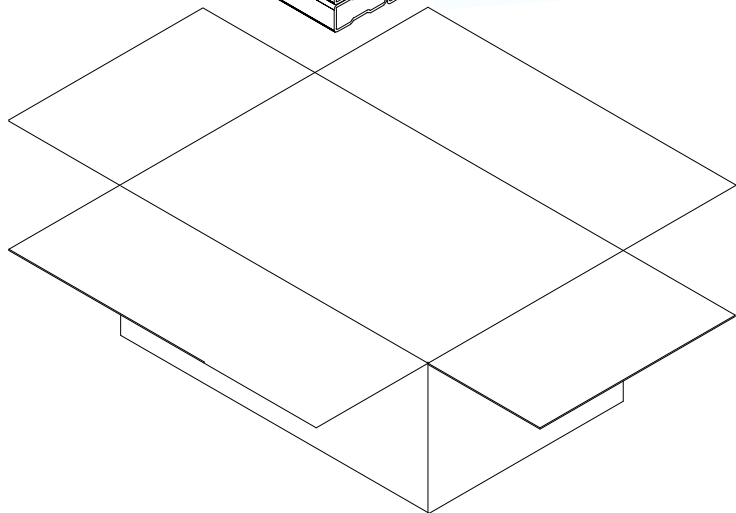
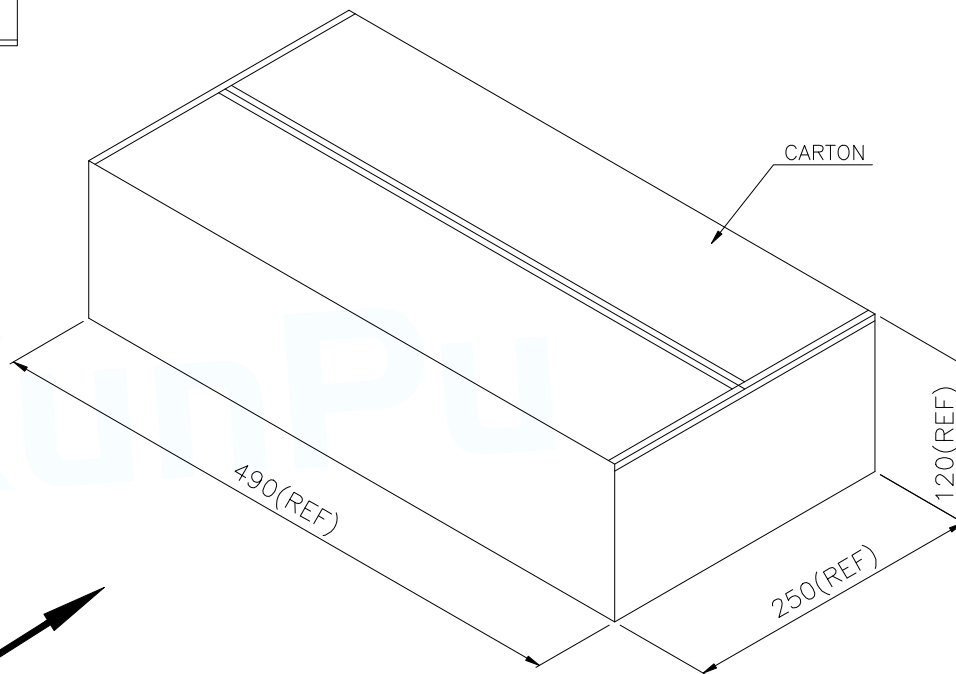
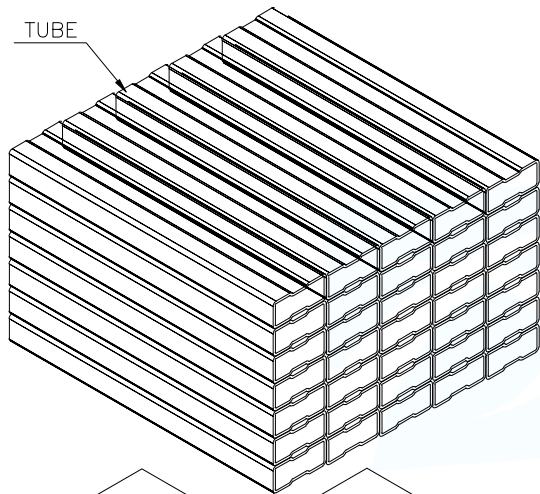
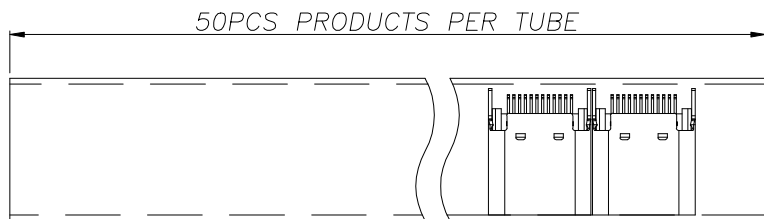
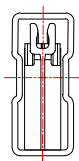


TABLE 1

P/N	DIM A	DIM B	DIM C	DIM D	THICKNESS OF THE PCB	QTY/TUBE	QTY/BOX
TYPEC-1103-BRP24	10.40	0.45	0.80	0.82	0.80±0.05MM	50	18000

MANUFACTURE DWG			 东莞市讯普电子科技有限公司 DongGuan XunPu Electronics Co.,Ltd	
UNLESS OTHERWISE SPECIFIED TOLERANCES			TITLE:USB C F SPLINT CONN. WITH EMI PCB=0.8&1.0	
DECIMALS:	ANGLES:	PAR	TYPEC-1103-BRP24	
X.X:±0.30	X°:±10°	DWN		
X.XX:±0.20	.X°:±8°	CHKD		
X.XXX:±0.10	.XX°:±5°	APVD		
CUSTOMER COPY		SCALE1:1	UNIT:MM	
		SIZE:A4	SHEET:1F1	REV:A

MAPX	MODIFICATION	DATE	DRAW	APPROVE



	TUBE	CARTON
CONNECTOR (PCS)	50	18000

MANUFACTURE DWG		 东莞市讯普电子科技有限公司 DongGuan XunPu Electronics Co.,Ltd	TITLE:USB C F SPLINT CONN. WITH EMI PCB=0.8&1.0	
UNLESS OTHERWISE SPECIFIED TOLERANCES			PAR	TYPEC-1103-BRP24
DECIMALS:	ANGLES:	DWN		
X.X:±0.30	X°:±10°	CHKD		
X.XX:±0.20	.X°:±8°	APVD		
X.XXX:±0.10	.XX°:±5°	SCALE:1:1	UNIT:MM	
		CUSTOMER COPY	SIZE:A4	
			SHEET:1F1	
			REV:A	