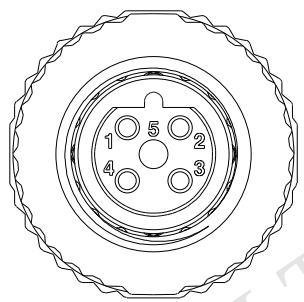
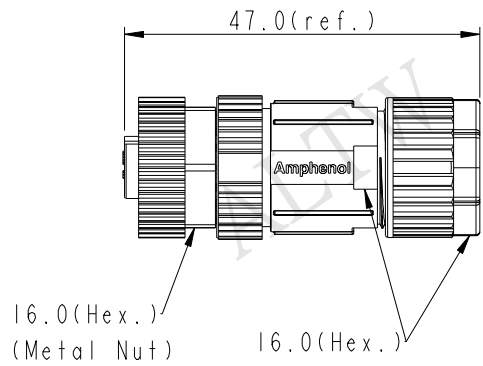
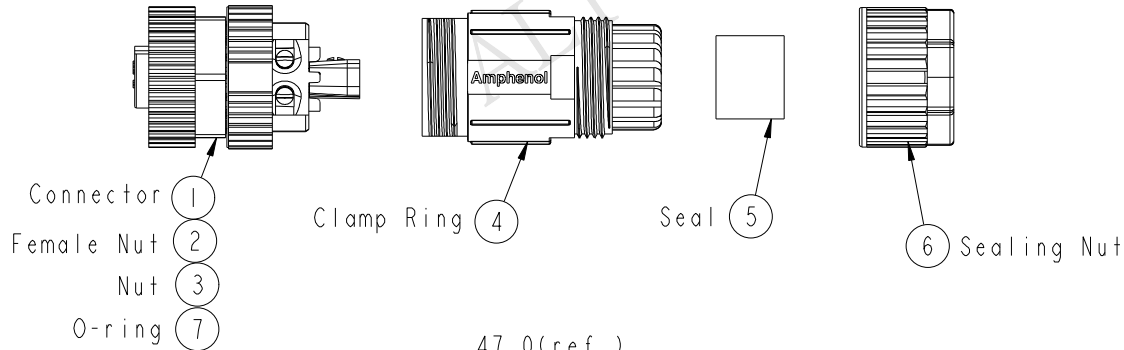


| | | | | |
|------|-----------------|------------|------|------------------------|
| REV. | ECN NO. | DATE | SIGN | DESCRIPTION |
| A | Initial Release | 2015/10/08 | Mila | Change Rev.01 To Rev.A |

ALTW
CONFIDENTIAL
 2015-10-08
 R&D DEPT.

ALTW
 DCC. DEPT.
 CONFIDENTIAL
 2015.10.28
 ISSUED



Pin Assignments
 Front View

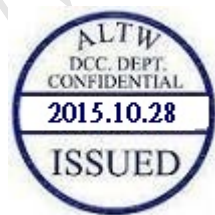
| | | |
|-----------|--------|--|
| UNIT:mm | | |
| TOLERANCE | ±0.5mm | |

| | | | |
|---|----------------|---------------------|--|
| TITLE M12 B-Code Unshielded Assy 5Pin F Conn. F Pin | | | |
| SCALE 1:1 | SIZE A4 | SHEET 1 OF 2 | |
| REV. A | WC-REV. A.2 | QC: Inspection item | |

Amphenol LTW
 安費諾亮泰企業股份有限公司

| | | |
|--------------------------------|----------------------|--------------------|
| ITEM NO. M12B-05BFFB-SL7001 | DRAWN BY Mila | DATE 2015-10-08 |
| DWG NO. M12B-05BFFB-SL7001 | CHECKED BY Cary | DATE 2015-10-08 |
| CUSTOMER ALTW | APPROVED BY Jerry | DATE 2015-10-08 |

THIS DOCUMENT IS SUBJECT TO CHANGE WITHOUT NOTICE. IT IS CONFIDENTIAL AND A PROPERTY OF Amphenol LTW. DISCLOSURE TO THIRD PARTY HAS TO BE AUTHORIZED BY Amphenol LTW.



M 12B - 05 B F F B - S L 7 001

12B: B-Code
 05: 5Pin
 B: Without S/R(無網尾)
 F: Female Connector(母座)
 F: Female Pin(母Pin)
 001: Without Cable
 7: IP67(防水等級67)
 L: Straight(180°)
 S: Screw(螺紋式)
 B: Screw in Type(組裝式)

- Note:
- * Important Dimension To Check.
 - * Waterproof Rate: IP67
 - * Housing: Nylon,Black
 - * Female Pin: Copper Alloy, Gold Plated
 - * Female Nut: Zinc Alloy, Nickel Plated
 - * Nut:PBT+PC,Black
 - * O-Ring: Silicon,Grey.
 - * Clamp Ring: Nylon,Black
 - * Sealing Nut:PBT+PC,Black
 - * Seal: Silicon,Grey
 - * Seal For Cable OD: $\varnothing 4.0\text{mm} \sim \varnothing 8.0\text{mm}$
 - * Screws for Wire connection recommended
 tightening torque: 0.61~0.84 kgf.cm / 0.059~0.082 N.m
 - * Applicable Wire gauge (Stranded wire cross section)
 0.14mm² (26AWG) ~ 0.82mm² (18AWG)
 - * Mating Recommended tightening torque:
 3~4 kgf.cm / 0.29~0.39 N.m
 - * Sealing-Nut Recommended tightening torque:
 4~6 kgf.cm / 0.39~0.59 N.m
 - * Detailed applicable wire specifications may vary depending on the actual wire construction.

| | | | | | | | | | |
|---|---------------------------------|----------------|---|------------|--------------------------------------|-------------------------------|------------------------------|--------------------|--------------------|
| A | UNIT:mm | | TITLE M12 B-Code Unshielded Assy 5Pin F Conn. F Pin | | Amphenol LTW 安費諾亮泰企業股份有限公司 | ITEM NO M12B-05BFFB-SL7001 | DRAWN BY Mila | DATE 2015-10-08 | |
| | TOLERANCE $\pm 0.5\text{mm}$ | | SCALE 1:1 | SIZE A4 | | SHEET 2 OF 2 | DWG NO M12B-05BFFB-SL7001 | CHECKED BY Cary | DATE 2015-10-08 |
| | REV. A | WC-REV. A.2 | Inspection item | | | CUSTOMER ALTW | APPROVED BY Jerry | DATE 2015-10-08 | |