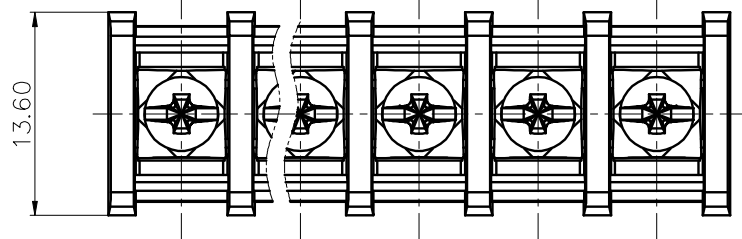


REVISION RECORD				
REV	ECN	DESCRIPTION	DRFT	DATE

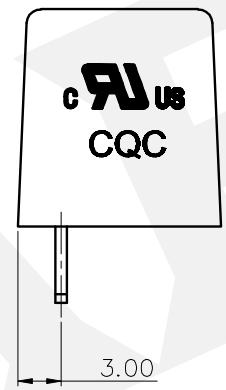
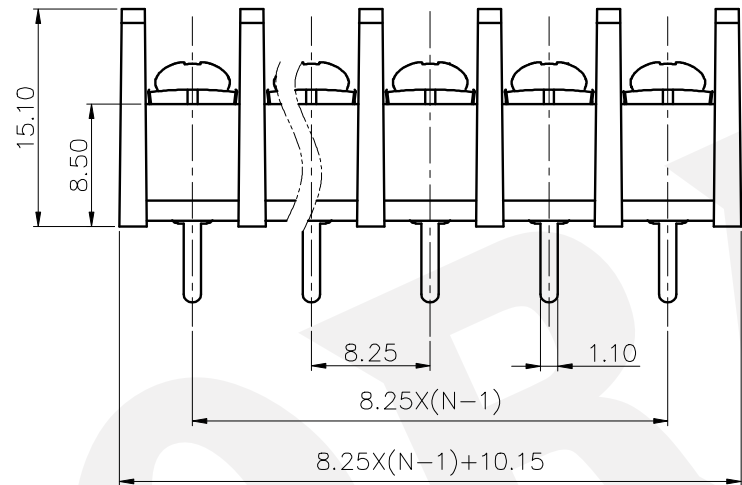
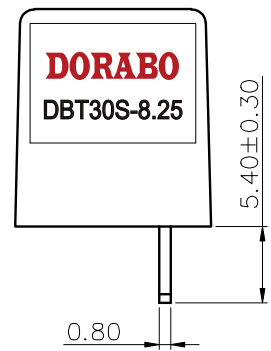


NOTES1:
 UL Standard
 1.Rated voltage/current : 300V / 20A
 2.Torque value : M3 , 4.43Lb.in
 3.Wire range : 22~12AWG

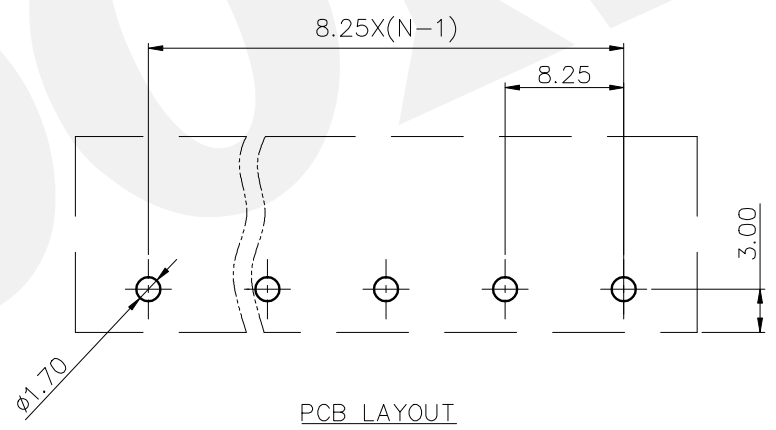
NOTES2:
 1.Dimension shall be interpreted per ASME Y14.5-2009
 2.Pitch : 8.25mm, Poles : N=02~26P
 3.Withstanding voltage : AC1600V/1Min
 4.Operating temperature: -40°C~+105°C
 5.Undimensioned tolerances:

Pitch range in mm		Nominal dimension range in mm						-	∩	∇
TO	Over	Over	TO	Over	Over	Over	TO	TO	TO	
6	6 TO 10	10 TO 24	30	30 TO 60	60 TO 100	100 TO 150	150	150	150	
±0.15	±0.20	±0.30	±0.30	±0.50	±0.70	±1.00	±1.30	±2*	0.1/10	

6.RoHS Compliance



DBT30S-8.25 - XXP - 1Y - 00A (H)
 (Series No.) (Poles)(Single Pitch) (Color):1.(Grey) 2.(Blue) 3.(Black)4.(Green) 5.(Orange)6.(Red) 7.(Transparent) 8.(Yellow)9.(White)
 (RoHS)
 00A-(Standard)



DETACHED LISTS	PART NO.:	DORABO 慈溪市地博电子有限公司 CIXI DORABO ELECTRONICS CO.,LTD			
	APPD:	NAME: DBT30S-8.25-XXP-1Y-00A(H)			
	CHKD:	TITLE: CUSTOMER DRAWING			
	DRFT:	DRAWING NO.:		REV	DO
	THIRD ANGLE PROJECTION		DO NOT SCALE DRAWING	SHEET	1/1
		SCALE	1:1		

H
G
F
E
D
C
B
A

H
G
F
E
D
C
B
A