

P/N LEGEND

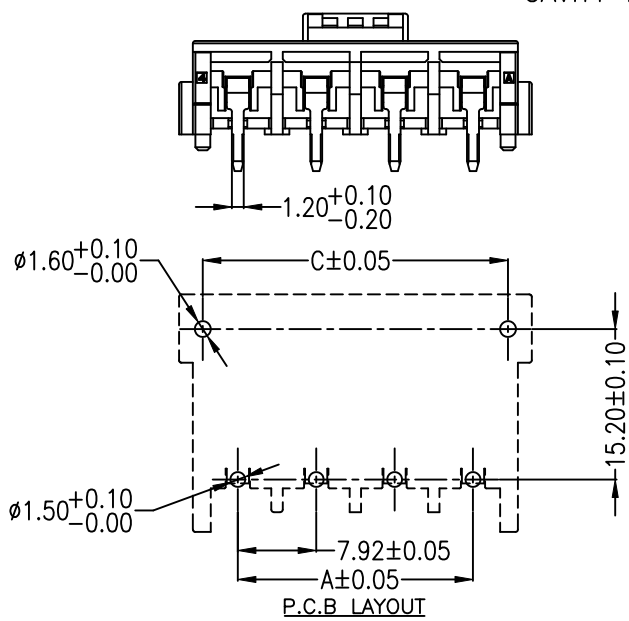
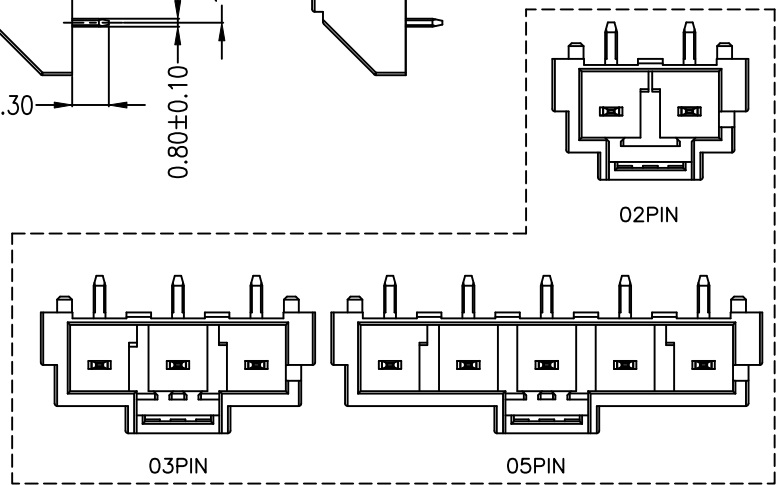
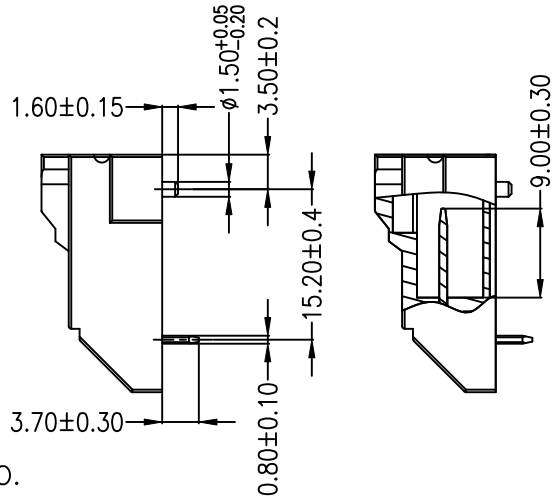
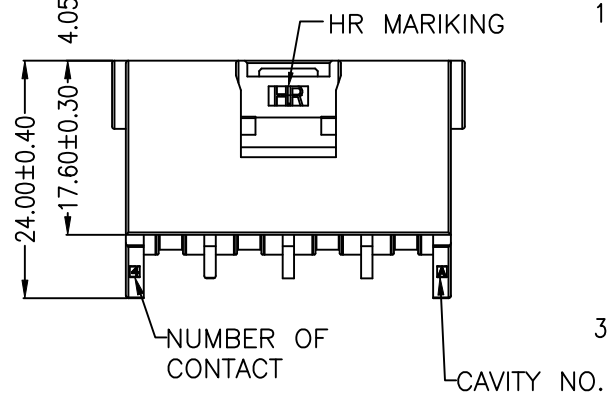
A7925 WR-F-XP R N N XX N 00 G

① Series No.
 ② Connector type: WR=Right angle
 ③ Mounting type: F=With boss
 ④ No. of circuits
 ⑤ R=RoHs
 ⑥ Material: N=Nylon66-V0, NO FLAME
 ⑦ Color: N=Natural
 ⑧ Plating code for contacts:
 T1=Tin-plated 80u"MIN over Nickel-plated 30u"MIN
 HC=Gold-plated 8u"MIN on contact area,
 Matte Tin-plated 80u"MIN on solder
 area over Nickel-plated 30u"MIN
 ⑨ Plating code: N=Non-plating
 ⑩ Option code: 00=Standard
 ⑪ Packing code: G=Bag

SPECIFICATIONS

Current Rating: 13A~30A AC,DC
 Voltage Rating: 600V AC,DC
 Temperature Range: -55°C ~ +105°C
 Contact Resistance: 10mΩ Max.
 Insulation Resistance: 1000MΩ Min.
 Withstanding Voltage: 2500V AC/minute
 Pin Material: High conductivity copper alloy

Circuit No.	Dimensions		
	A	B	C
02P	7.92	19.80	15.00
03P	15.84	27.72	22.92
04P	23.76	35.64	30.84
05P	31.68	43.56	38.76



				UNIT	SCALE	SHEET	TITLE:
				mm	1 : 1	1 of 1	
DRAWN BY		APPROVED BY		7.92mm PITCH 90° WAFER STANDARD TYPE			
鄭小嬌		徐富永					
2022.08.03		2022.08.03					
GENERAL TOLERANCE				DRAW NO. :			
X. X±0.25		ANGLE±		A7925WR-F-XPRXXXXX00G			
X. XX±0.15							
X. XXX±0.05				REV. A0			