

4

3

2

1

THIS DRAWING IS UNPUBLISHED.

RELEASED FOR PUBLICATION

,19

© COPYRIGHT 19

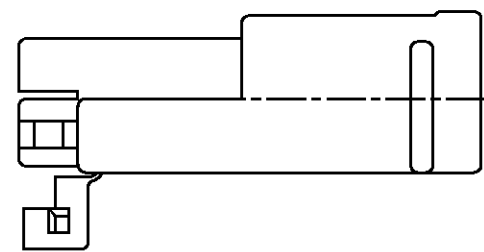
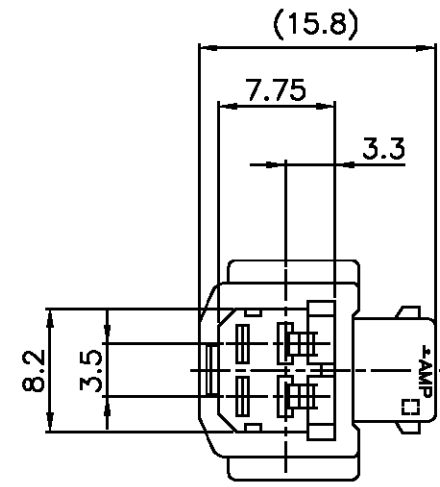
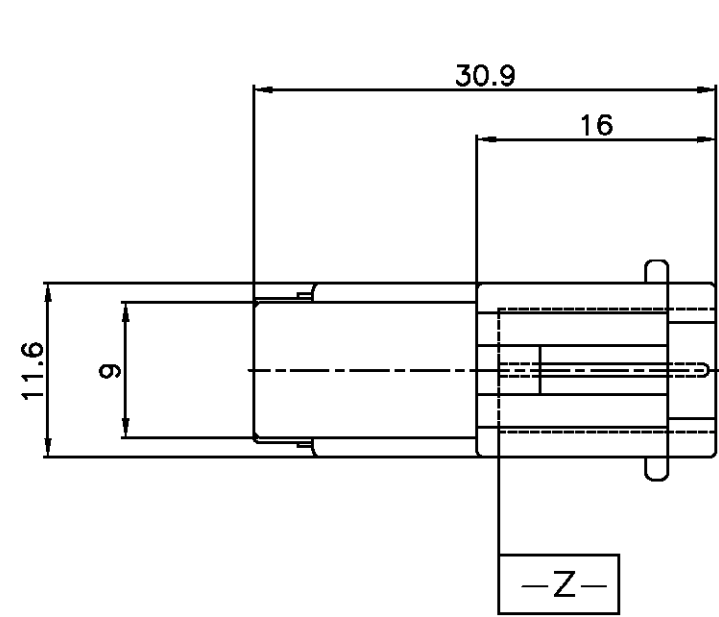
BY AMP INCORPORATED. ALL RIGHTS RESERVED.

LOC DS

DIST

REVISIONS

P	LTR	DESCRIPTION	DATE	DWN	APVD
	O	RELEASED(FC00-0002-00)	04,JAN,00	HS	CS
	A	REVISED(FC00-0050-01)	11,MAY,01	MS	CS



NOTES

- 1. MUST BE KEPT FROM AND 2.
- 2. THE MATING PLUG HOUSING PART NUMBER: 368538.
- 3. APPLIED TAB CONTACT P/N: 173645.

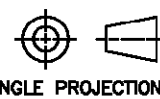
①	368545-3	BLACK
	368545-1	NATURAL
	P/N	COLOR

THIS DRAWING IS A CONTROLLED DOCUMENT FOR AMP INCORPORATED. IT IS SUBJECT TO CHANGE AND THE CONTROLLING ENGINEERING ORGANIZATION SHOULD BE CONTACTED FOR THE LATEST REVISION.

DIMENSIONS: MM

TOLERANCES UNLESS OTHERWISE SPECIFIED:

0 <XX<10 ± 0.2
 10<XX<30 ± 0.25
 30<XX ± 0.3
 ANGLES ± 3°



3rd ANGLE PROJECTION

MATERIAL P.B.T

FINISH ---

DWN MS HER	CHK BM JANG
APVD CS LEE	PRODUCT SPEC
APPLICATION SPEC	WEIGHT

AMP		AMP KOREA. kyungsan, korea	
NAME .070 MLC 2P CAP HSG.			
SIZE	CAGE CODE	DRAWING NO	
A3	00779	③= 368545	

SCALE 2/1 SHEET 1 OF 1 REV A