

4

3

2

1

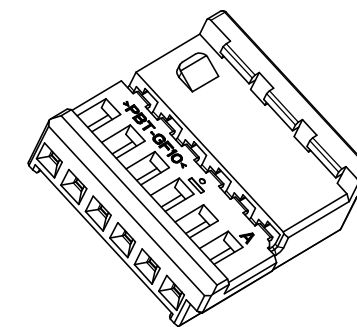
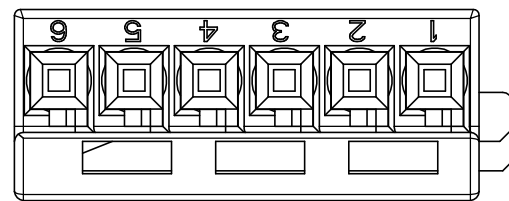
THIS DRAWING IS UNPUBLISHED.

RELEASED FOR PUBLICATION

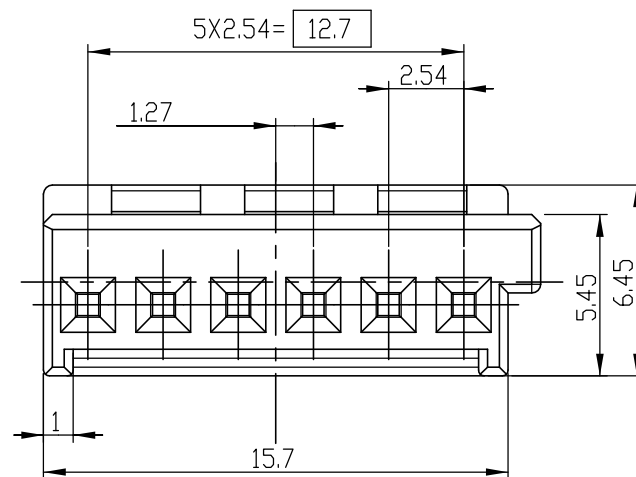
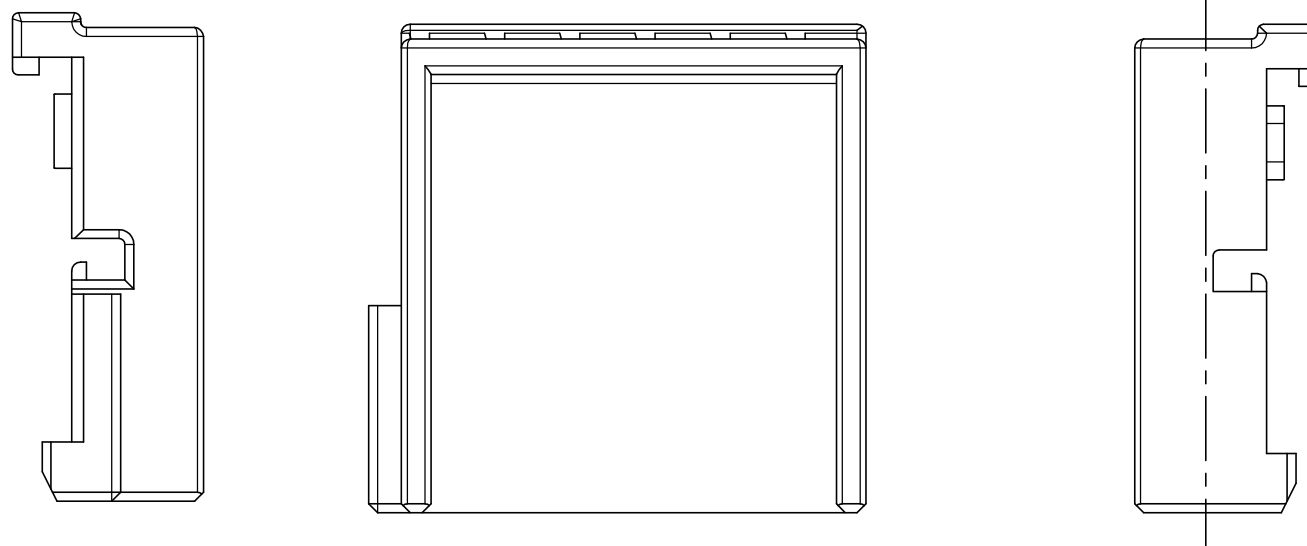
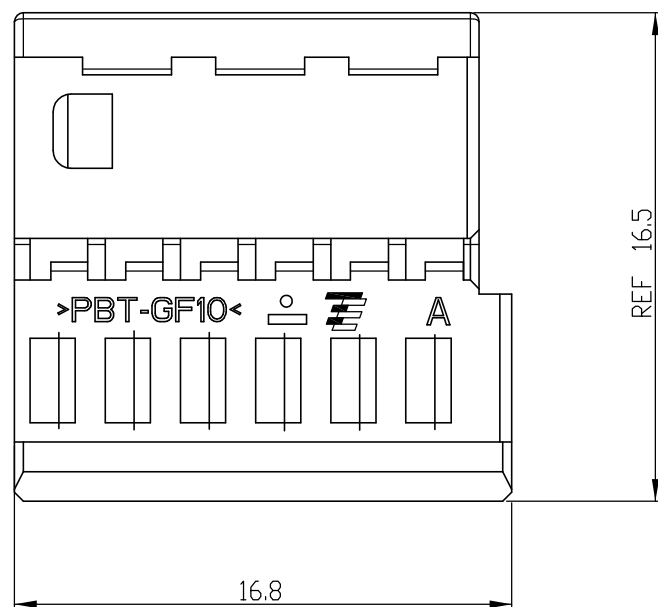
© COPYRIGHT

ALL RIGHTS RESERVED.

LOC	DIST	REVISIONS					
		P	LTR	DESCRIPTION	DATE	DWN	APVD
DS	-		A	RELEASED	24/MAY/11	WY	HG



3D VIEW (SCALE 2:1)



NOTE
1. APPLICABLE RECEPTACLE CONTACT P/N :

Part NO.	DESCRIPTION	WIRE SIZE(mm ²)
928999-1	MQS RECEPTACLE TML (SOCKET CONTACT)	0.3 ~ 0.5
963715-1	MQS RECEPTACLE TML (SOCKET CONTACT)	0.75

2.APPLICABLE RETAINER HSG P/N: 2109234-2
3.INTERFACE DRAWING P/N: 114-61050

NO.	COLOR	MATERIAL	DESCRIPTION	P/N
1	BLACK	PBT-GF10	MQS 6P PLUG	2109233-2

THIS DRAWING IS A CONTROLLED DOCUMENT.		DWN WY JANG					
DIMENSIONS:		CHK KT LIM					
TOLERANCES UNLESS OTHERWISE SPECIFIED:		APVD HG CHD		NAME			
		PRODUCT SPEC		MQS 6P PLUG HSG			
		APPLICATION SPEC		RESTRICTED TO			
		MATERIAL SEE TABLE		WEIGHT		SIZE A3	
		FINISH		CAGE CODE 00779		DRAWING NO. 2109233	
		SCALE 4/1		SHEET 1 OF 1			
				REV A			