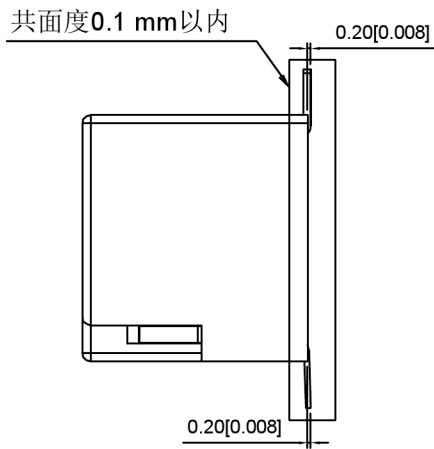
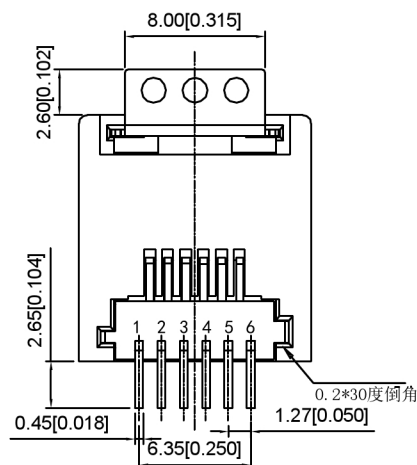


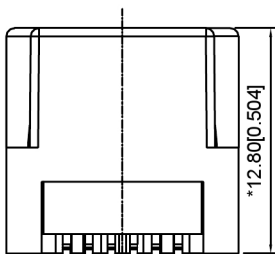
FRONT VIEW



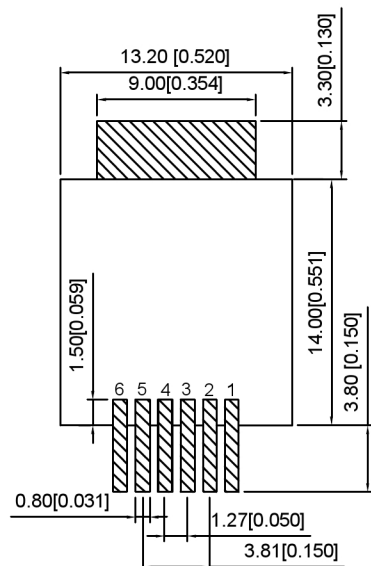
RIGHT SIDE VIEW



BACK VIEW



BOTTOM VIEW



RECOMMENDED PCB LAYOUT
VIEWED FROM COMPONENT SIDE



XKB Connectivity

MATERIAL 材料:

HOUSING 外壳: LCP,UL94V-0,BLACK.

TERMINAL 端子: PHOSPHOR BRONZE T=0.35MM

GOLD PLATING ON CONTACT AREA.

MECHANICAL 机械:

DURABILITY 耐用性: 750 CYCLES MIN,12.5MM/MINUTE.

INSERTION FORCE 插入力:2.2KG.F MAX

RETENTION STRENGTH 保持力:7.7KG.F BETWEEN JACK AND PLUG.

OPERATING TEMPERATURE 工作温度: -40°C~+85°C.

STORAGE TEMPERATURE 储存温度: -40°C~+85°C.

ALL CRITICAL DIMENSIONS WITH ""**

ELECTRICAL 电气:

VOLTAGE 电压: 125 VOLTS AC.

CURRENT RATING 电流额定值: 1.5AMP.

DIELECTRIC STRENGTH 介电强度: 1000 VAC RMS 50HZ OR 60HZ,1 MIN

INSULATION RESISTANCE 绝缘电阻: 500 MEGA OHMS MIN.INITIAL

AFTER 500V DC FOR 1 MINUTE.

CONTACT RESISTANCE 接触电阻:SINGLE TERMINAL 30 MILLIOHMS MAX.

INITIAL 50 MILLIOHMS MAX. AFTER

DURABILITY TEST.

广东星坤科技股份有限公司

ΔX		日期
ΔX		日期
ΔX		日期
MARK		DESCRIPTION

文件工程章

REVISIONS	DATE	REVISED	APPROVED	DESCRIPTION
1				ANGULAR ±5°
2				L ≤ 4 ±0.2
3				4 < L ≤ 16 ±0.3
4				16 < L ≤ 63 ±0.4
5				L > 63 ±0.5
UNSPECIFIED TOLERANCES				



DSND		SCALE: N/A	MODEL TYPE: RJ JACK		
DWN		VIEW:	PART NO.:		
CHKD		UNIT: mm/in	DWG NO.:		
APPD		SIZE: A4	X35AHIWWW6SB4009		
		WEIGHT	SHEET	REVISION	
			1/1	A0	