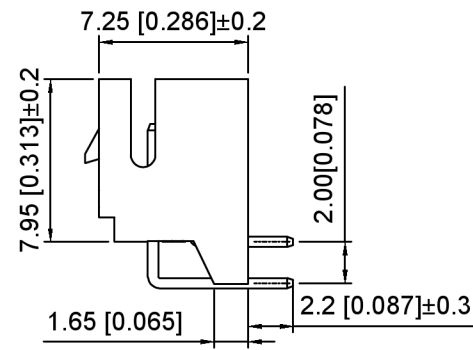
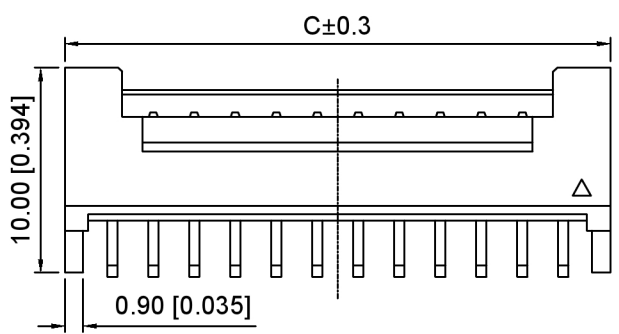
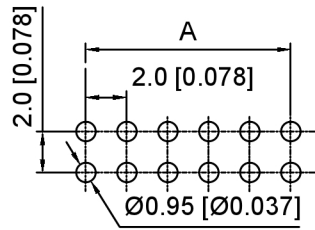
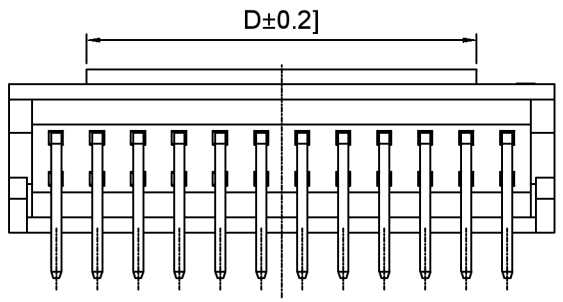


Specifications:
 规格:
 Voltage rating:250V AC/DC
 额定电压: 250V AC/DC
 Current rating:3A AC/DC
 额定电流: 3A AC/DC
 Withstanding voltage:1000V AC/minute
 耐受电压: 1000V AC/分钟
 Temperature range:-25℃~+85℃
 温度范围: -25℃~+85℃
 Insulation resistance:≥1000MΩ
 绝缘电阻: ≥1000MΩ
 Contact resistance:≤30mΩ
 接触电阻: ≤30mΩ



X2026 W R - 2xXX D R - LP SN
 ① ② ③ ④ ⑤ ⑥ ⑦ ⑧

1. Series No
2. Category:W-Wafer
3. Welding Board Angle:R-Stright 90°
4. Row No.Pin No:2xXX-2x02~2x16Pin
5. Special No:D-With Lock
6. Special No:R-DIP 2.2mm
7. Material:LP-LCP UL94V-0 ,Natural
CAP:LCP UL94V-0 ,Natural
8. Plating:SN- Tin Plated



Recommended PCB Layout(Top view)
 Tolerance:±0.05mm

Poles	Dimensions (mm)				Poles	Dimensions (mm)			
	A	B	C	D		A	B	C	D
2x02	2.00	4.95	6.60	3.00	2x10	18.00	20.95	22.60	15.00
2x03	4.00	6.95	8.60		2x11	20.00	22.95	24.60	17.00
2x04	6.00	8.95	10.60	2x12	22.00	24.95	26.60	19.00	
2x05	8.00	10.95	12.60	5.00	2x13	24.00	26.95	28.60	21.00
2x06	10.00	12.95	14.60	7.00	2x14	26.00	28.95	30.60	23.00
2x07	12.00	14.95	16.60	9.00	2x15	28.00	30.95	32.60	25.00
2x08	14.00	16.95	18.60	11.00	2x16	30.00	32.95	34.60	27.00
2x09	16.00	18.95	20.60	13.00					

X2026WR-2xXXDR-LPSN	LCP	Brass	X2026H
PART NO	Material	Material(Pin)	Suitable XKB Housing

DSND	SCALE: N/A	MODEL TYPE: 2.0mm Crimp Style Connector
DWN	VIEW:	PART NO.: X2026WR-2xXXDR-LPSN
CHKD	UNIT: mm/in	DWG NO.: X-X2026WR-2xXXDR-LPSN
APPD	SIZE: A4	WEIGHT SHEET REVISION
		1/1 A0



XKB INDUSTRIAL PRECISION CO.,LIMITED

广东星坤科技股份有限公司

DATE	日期
MARK	文件工程章

REVISIONS	DATE	REVISED	APPROVED	DESCRIPTION
				UNSPECIFIED TOLERANCES