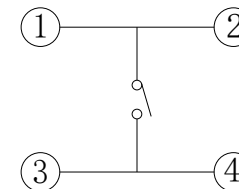
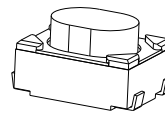
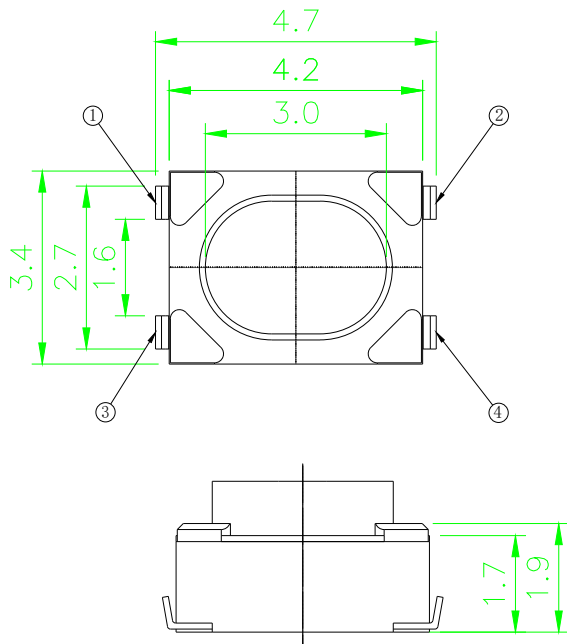
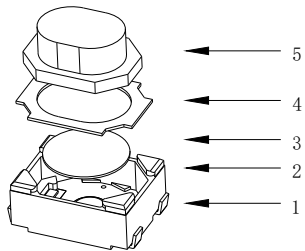


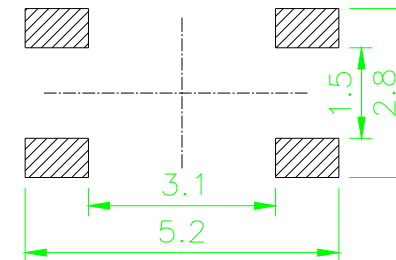
RoHS

CAD GENERATED DRAWING. DON'T CHANGE BY HAND.

REV.	ECN. NO.	APPD.



CIRCUIT DIAGRAM



PCB WELDING DRAWING

Specification

Operating Life	100,000
Contact rating	50mA@12V DC.
Insulation resistance	1011Ω min.
Contact resistance	100mΩ max. initial.
Dielectric Strength	250 V AC(1mm)
Travel	0.35±0.15mm
Storage Temperature	-30° C to 85° C

Packaging:  
Reel of 3,000 pieces.

ITEM	DESCRIPTION	MATERIAL	QTY	FINISH/COLOR
5	STEM	Silica	1	Blue
4	COVER	Stainless Steel	1	Clean
3	DOME	Stainless Steel	1	Plated Ag
2	HOUSING	LCP	1	White
1	PIN	Brass	1	Plated Ag

Mechanical

PN	Operatin g Force(gf)	Height mm
YTS1T0160AUJ00	120±30	2.5
YTS1T0161AUJ00	160±50	2.5
YTS1T0162AUJ00	250±50	2.5
YTS1T0163AUJ00	400±50	2.5

X. ±0.50	X.° ±2°	UNITS mm
.X ±0.30	.X° ±1°	
.XX ±0.10	.XX° ±0.5°	MAT'L
.XXX ±0.05		FINISH
		Q'TY

THESE DRAWINGS AND SPECIFICATIONS ARE THE PROPERTY OF YIYUAN TECHNOLOGY CO.,LTD AND SHALL NOT BE REPRODUCED, COPIED OR USED IN ANY MANNER WITHOUT THE PRIOR WRITTEN CONSENT OF YIYUAN TECHNOLOGY CO.,LTD

**yiYUAN** 深圳市怡远科技有限公司  
SHENZHEN YIYUAN TECHNOLOGY CO., LTD

PART NO. YTS1T016	TITLE: TACTILE SWITCH 轻触开关
APPD: ROGER	DWG NO. : YTS1T016
CHKD: ROC	SCALE SHEET REV. 1/1 1/1 A1
DR: BILLY WANG 2020/08/21	