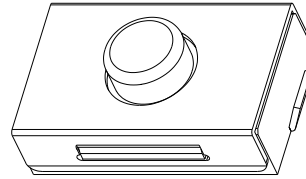
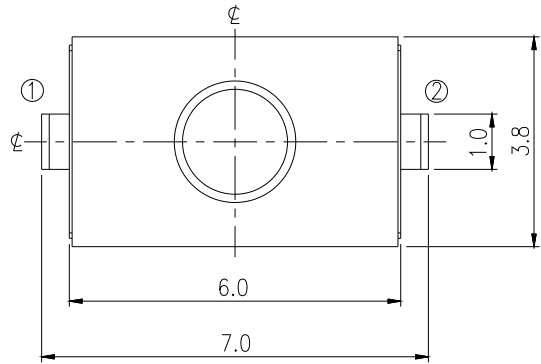


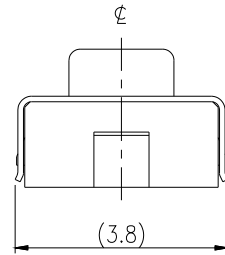
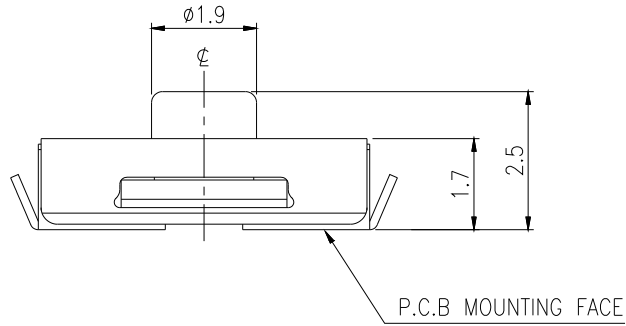
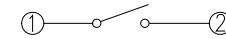
RoHS

CAD GENERATED DRAWING. DON'T CHANGE BY HAND.

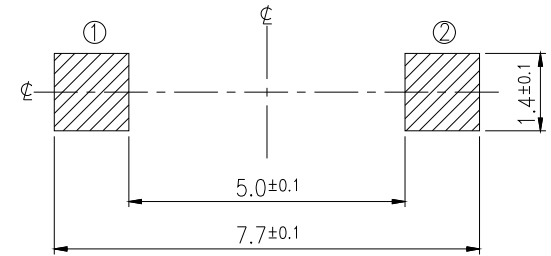
REV.	ECN. NO.	APPD.



SCHEMATIC



P.C.B. LAYOUT



		6	TAPE	1	POLYIMIDE	
Operating Life	100,000	5	CONTACT PLATE	1	STAINLESS STEEL PLATE	Ag PLATING
Contact rating	50mA@32V DC.	4	TERMINAL	2	COPPER ALLOY	Ag PLATING OVER NI PLATING
D Insulation resistance	DC100V-1000MΩ MIN	3	FRAME	1	POLYAMIDE RESIN	BLACK COLOR
Contact resistance	100mΩ max. initial.	2	STEM	1	LIQUID CRYSTAL POLYMER	260: NATURAL
Dielectric Strength	250 V AC(1mm)	1	COVER	1	STAINLESS STEEL PLATE	
Travel	0.15±0.1mm					
Waterproof Grade	IP67					
		NO.	PART NAME	QTY	MATERIAL	SPECIFICATION

MODEL NO.	OPERATING FORCE
YTS2191G	160±50gf

X. ±0.50	X° ±2°	UNITS mm	yiYUAN 深圳市怡远科技有限公司 SHENZHEN YIYUAN TECHNOLOGY CO.,LTD
.X ±0.30	.X° ±1°		
.XX ±0.10	.XX° ±0.5°	MAT'L	PART NO. YTS2191G
.XXX ±0.05		FINISH	TITLE: TACTILE SWITCH
THESE DRAWINGS AND SPECIFICATIONS ARE THE PROPERTY OF YIYUAN TECHNOLOGY CO.,LTD AND SHALL NOT BE REPRODUCED, COPIED OR USED IN ANY MANNER WITHOUT THE PRIOR WRITTEN CONSENT OF YIYUAN TECHNOLOGY CO.,LTD		Q'TY	APPD: ROGER
			DRG NO.: YTS2191G
			CHKD: RDC
			DR: BILLY WANG 2020/08/21
			SCALE SHEET REV. 1/1 1/1 A1