

产品承认书

SPECIFICATION FOR APPROVED

版本: REV. A2

客户

2143

Customer

航嘉物料编号

181-01510050SU

Huntkey No.

航嘉型号

HKL-0151005

Huntkey P/N

岑科料号

CKPK0511-100uH/Min-U2.5-82.5T

CENKER P/N

图纸编号

SP-CK112-00038061

Drawing No.

产品编号

Product code.

出图 DRAWING		
制表 Prepared By	审核 Checked By	批准 Approved By
覃玉云	韦秀华	梁秀勇
DATE: 2020/10/27		

承认 CUSTOMER APPROVAL
DATE:



深圳市岑科实业有限公司
SHENZHEN CENKER ENTERPRISE LTD.

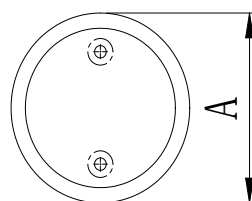
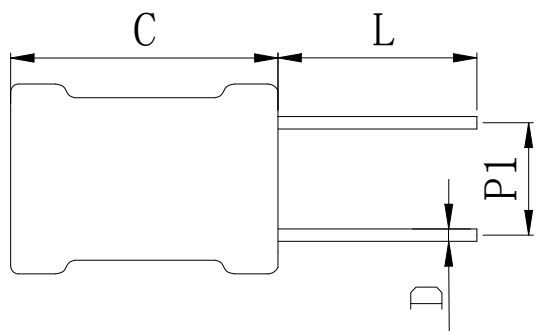
地址:深圳市龙华区清泉路金博龙工业园C栋
Address: Building No.C Jinbolong Industrial
Estate, Qingquan Road, Longhua District, Shenzhen
P.R.China



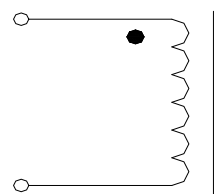
TEL:0755-89808755 FAX:0755-27525256

CUSTOMER	2143	Huntkey No.	181-01510050SU	PAGE
CENKER P/N	CKPK0511-100uH/Min-U2.5-82.5T	Huntkey P/N	HKL-0151005	1/6
Drawing No.	SP-CK112-00038061	Product code.		
ISSUE DATE	2020/10/27	VERSION	A2	

1、 DIMENSION (mm):



SCHEMATIC



产品需含浸

A	C	D	P1	L
Φ6.0Max	13.0 Max	Φ0.6±0.1	2.5±0.5	2.5±0.3

2、 Winding Structure Diagram:

绕组	起端	套管	尾端	套管	线径	股数	线种	圈数	绕制方式
N1	1		2		0.27	1	1UEW	82.5	密绕

工艺说明:

1. 此产品本体套需套热缩套管。磁芯需有开入线槽，
2. 焊锡要求上锡光滑.明亮.无氧化物.无倒勾



深圳市岑科实业有限公司
 SHEN ZHEN CENKER ENTERPRISE LTD.
 TEL:0755-89808755 FAX:0755-27525256

PREPARED	CHECKED	APPROVED
覃玉云	韦秀华	梁秀勇

SPECIFICATION FOR APPROVAL

Halogen Free

RoHS COMPLIANT

CUSTOMER	2143	Huntkey No.	181-01510050SU	PAGE
CENKER P/N	CKPK0511-100uH/Min-U2.5-82.5T	Huntkey P/N	HKL-0151005	2/6
Drawing No.	SP-CK112-00038061	Product code.		
ISSUE DATE	2020/10/27	VERSION	A2	

3、ELECTRICAL REQUIREMENTS:

ITEM	SPEC.	TOLERANCE	TEST FREQUENCY	TEST EQUIPMENT
INDUCTANCE	100uH	Min	1kHz/0.25V	HP-4284A
DCR	0.4Ω	Max.	at 25°C	Keysight 34420A

4、Huntkey MATERIAL LIST:

No.	Material	Specification	MATERIAL	Supplier	UL No.
1	Core	DR2W5*11	LH16/L5MC/TN80 L/SR60	苏美尔/凤翔/东晨或同等	N/A
2	Wire	CASS B	1UEW	SHEN ZHEN CHENGWEI INDUSTRIAL CO., LTD	E227475
			1UEW	TAI-1 COPPER(GUANGZHOU) CO., LTD	E85640
3	热缩套管	CB-TT	CB-TT	CHANGYUAN EKELECTRONIC MATERTALCO., LTD	E198030
		X-2	X-2	SHENZHKEN XINGQI PLASTIC PRODUCTS CO LTD	E350991



深圳市岑科实业有限公司
SHEN ZHEN CENKER ENTERPRISE LTD.
TEL:0755-89808755 FAX:0755-27525256

PREPARED

覃玉云

CHECKED

韦秀华

APPROVED

梁秀勇

CUSTOMER	2143	LOT No.			
Huntkey No.	181-01510050SU	QUANTITY	10PCS	DATE	2020/10/27
Huntkey P/N	HKL-0151005	DIMENSION(UNIT: mm) 			
CENKER P/N	CKPK0511-100uH/Min-U2.5-82.5T				
Product code.					
TEST FREQ	1kHz/0.25V				
TEMPERATURE	25 °C				

5.TESTING DATA:

ELECTRONICAL TEST DATA			OREALL DIMENSTON (UNIT: mm)											
	L	DCR		A	C	D	P1	L						
SPEC	100uH Min	0.4Ω Max.		Φ6.0Max	13.0 Max	Φ0.6±0.1	2.5±0.5	2.5±0.3						
1	141.56	0.31		5.52	12.68	0.59	2.48	2.56						
2	142.15	0.31		5.56	12.73	0.58	2.53	2.48						
3	141.25	0.32		5.61	12.81	0.57	2.51	2.55						
4	141.26	0.31		5.55	12.74	0.59	2.46	2.51						
5	141.26	0.31		5.54	12.68	0.58	2.55	2.53						
6	141.50	0.32		5.66	12.78	0.60	2.55	2.59						
7	141.34	0.31		5.53	12.69	0.58	2.59	2.54						
8	141.47	0.31		5.64	12.74	0.59	2.53	2.53						
9	141.32	0.32		5.58	12.79	0.58	2.48	2.58						
10	141.29	0.31		5.54	12.80	0.57	2.51	2.49						
\bar{X}	141.44	0.31		5.57	12.74	0.58	2.52	2.54						
R	0.90	0.01		0.14	0.13	0.03	0.13	0.11						

TEST EQUIPMENT:

OK NG

- L CH-1062A HP-4284A
- Q HM2801A HM9481 CJ2851
- DCR Keysight 34420A
- SRF HM9460
- IDC HP4284A+HP42841A

 深圳市岑科实业有限公司 SHEN ZHEN CENKER ENTERPRISE LTD. TEL:0755-89808755 FAX:0755-27525256	PREPARED	CHECKED	APPROVED
	覃玉云	韦秀华	梁秀勇

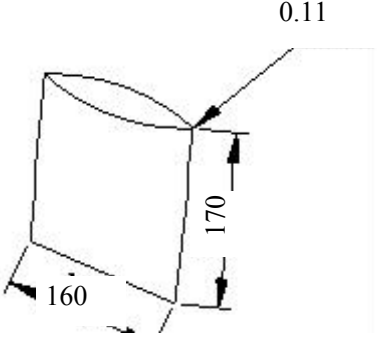
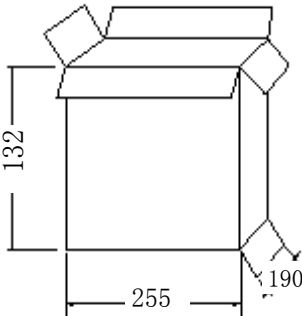

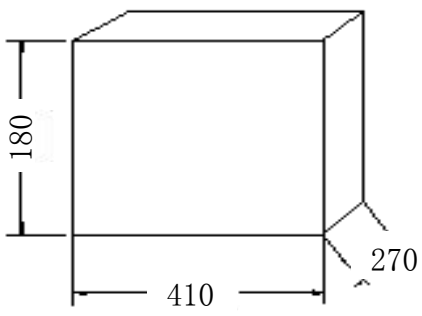
SPECIFICATION FOR APPROVAL

Halogen Free

RoHS COMPLIANT

CUSTOMER	2143	Huntkey No.	181-01510050SU	PAGE
CENKER P/N	CKPK0511-100uH/Min-U2.5-82.5T	Huntkey P/N	HKL-0151005	4/6
Drawing No.	SP-CK112-00038061	Product code.		
ISSUE DATE	2020/10/27	VERSION	A2	

6、包装 PACKING (mm):

<p>1. PE BAG: 160*170*0.11mm (500PCS/BAG);</p>	
<p>2. Inside the box size: 255*190*132mm (Loading 10PE BAG ,Quantity5K/PCS)</p>	
<p>3. Outer box: 410*270*180mm  (Loading 2 Inside the box ,Quantity 10K/PCS)</p>	



深圳市岑科实业有限公司
SHEN ZHEN CENKER ENTERPRISE LTD.
TEL:0755-89808755 FAX:0755-27525256

PREPARED	CHECKED	APPROVED
覃玉云	韦秀华	梁秀勇

SPECIFICATION FOR APPROVAL

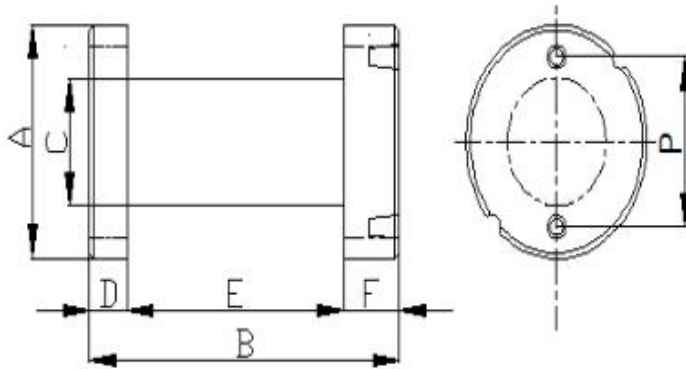
Halogen Free

RoHS COMPLIANT

CUSTOMER	2143	Huntkey No.	181-01510050SU	PAGE 5/6
CENKER P/N	CKPK0511-100uH/Min-U2.5-82.5T	Huntkey P/N	HKL-0151005	
Drawing No.	SP-CK112-00038061	Product code.		
ISSUE DATE	2020/10/27	VERSION	A2	

磁芯尺寸图Magnetic core size chart

外型尺寸



A	5.00±0.20	mm
B	11.00±0.30	mm
C	2.60+0.15/-0.08	mm
D	1.75±0.15	mm
E	7.50±0.20	mm
F	1.75±0.15	mm
P	2.50±0.30	mm



深圳市岑科实业有限公司
 SHEN ZHEN CENKER ENTERPRISE LTD.
 TEL:0755-89808755 FAX:0755-27525256

PREPARED	CHECKED	APPROVED
覃玉云	韦秀华	梁秀勇

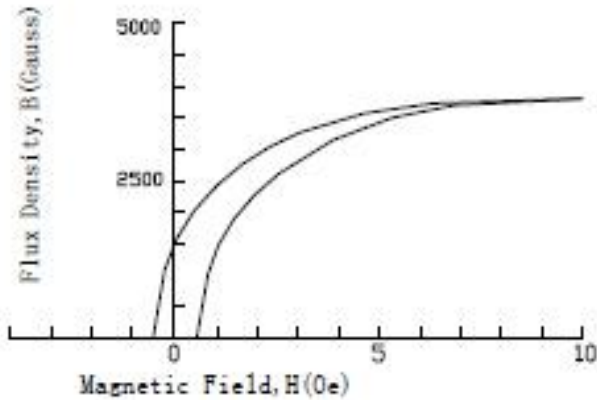
CUSTOMER	2143	Huntkey No.	181-01510050SU	PAGE
CENKER P/N	CKPK0511-100uH/Min-U2.5-82.5T	Huntkey P/N	HKL-0151005	6/6
Drawing No.	SP-CK112-00038061	Product code.		
ISSUE DATE	2020/10/27	VERSION	A2	

材质曲线图Material curve

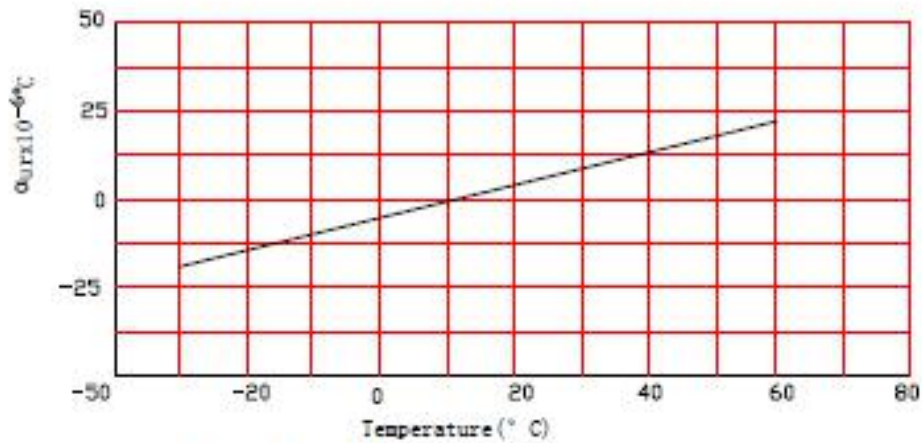
SR60材质曲线

材质	初导磁率	使用频率	饱和磁通密度	残留磁束密度	居里温度	表面阻抗	保磁力	密度	温度系数
SR60	600	0.1-1.5	3900	1500	180	10^7	0.56	4.8	15
	ul	MHZ	GAUSS	GDUSS	TC	$\Omega\text{-m}$	HCDE	g/cm ³	

Saturation Flux Density



Temperature Factor of Permeability



深圳市岑科实业有限公司
 SHEN ZHEN CENKER ENTERPRISE LTD.
 TEL:0755-89808755 FAX:0755-27525256

PREPARED	CHECKED	APPROVED
覃玉云	韦秀华	梁秀勇