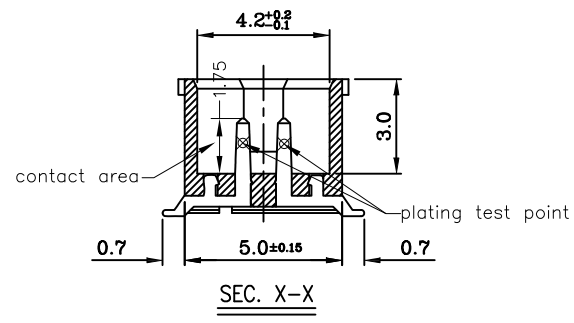
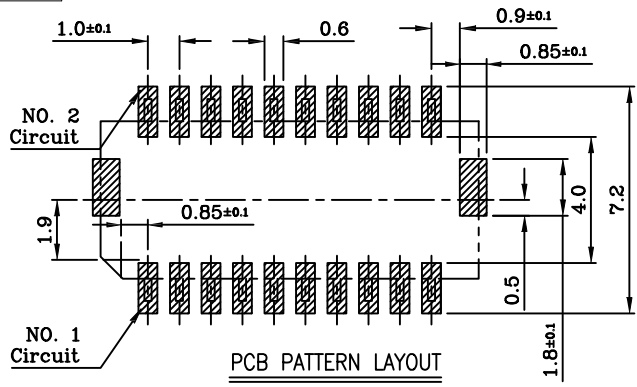


环保物料

TEL: 0769-82001899

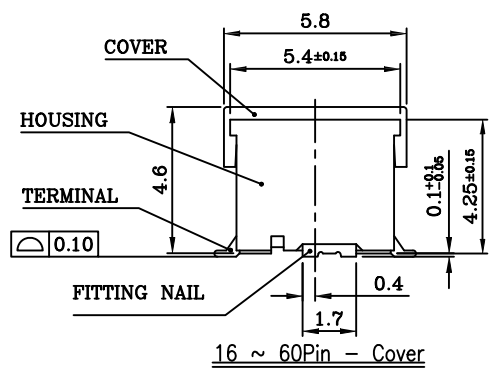
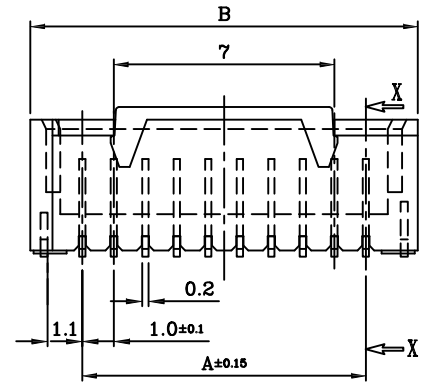
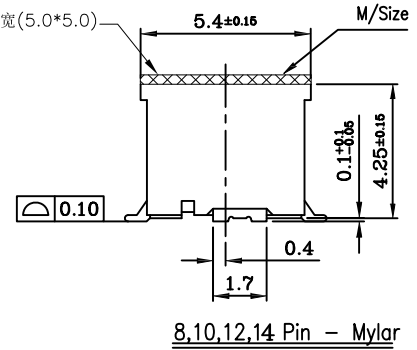
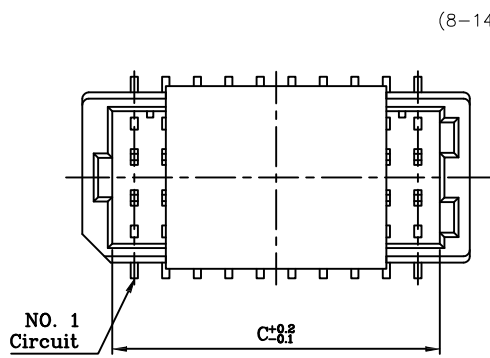


SPECIFICATIONS

- 1. Voltage rating: 50V AC, DC
 - 2. Current rating: 1A, AC, DC
 - 3. Withstanding Voltage: 500V AC/minute
 - 4. Insulation resistance: 100M min
 - 5. Temperature range: -25 °C +85 °C
 - 6. Contact resistance: 20m max
- WAFER

Housing Material: PA9T/6T UL 94V0
 Pin Material: Phosphor Bronze or Brass
 Contact Area Plating: Plated Tin or Plated Gold
 Mates with :P1010 series Housing
 Poles: 08-60P
 Part No.: M1010VS-2xXXX

Pin位数



CKT	Dim A	Dim B	Dim C
8	3.0	6.3	4.4
10	4.0	7.3	5.4
12	5.0	8.3	6.4
14	6.0	9.3	7.4
16	7.0	10.3	8.4
18	8.0	11.3	9.4
20	9.0	12.3	10.4
24	11.0	14.3	12.4
28	13.0	16.3	14.4
30	14.0	17.3	15.4
34	16.0	19.3	17.4
40	19.0	22.3	20.4
50	24.0	27.3	25.4
60	29.0	32.3	30.4

Without Date Code

TOLERANCE UNLESS OTHERWISE		DRAWN	CK tan
X.	±0.30 X° ±5°	CHKD	
.X	±0.20 .X° ±2°	APPD	
.XX	±0.08 .XX° ±1°	VIEW	⊕ ⊖
.XXX	±0.03 .XXX° ±0.5°		

XFCN 兴飞连接器有限公司
 XFCN CONNECTORS CO.,LTD.

PRODUCT NAME	1.00mm Crimp Style Connectors
PART. NO.	M1010VS-2xXXX

SHEET	1/1
DATE	2020. 04. 12
UNITS	mm
SCALE	1:1
DWG. NO.	009

AO
VER

MODIFICATION

DRAW

DATE