

环保物料

TEL: 0769-82001899

**SPECIFICATIONS**

- 1. Voltage rating: 250V AC, DC
- 2. Current rating: 3A, AC, DC
- 3. Withstanding Voltage: 1000V AC/minute
- 4. Insulation resistance: 1000M min
- 5. Temperature range: -25 °C ~ +85 °C
- 6. Contact resistance: 20m max

WAFER

Housing Material: Nylon66 UL94V-0

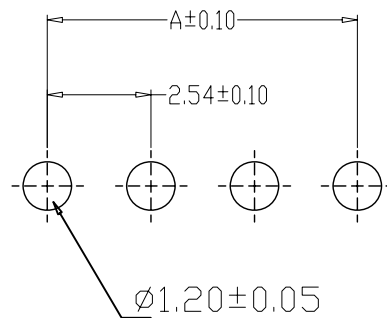
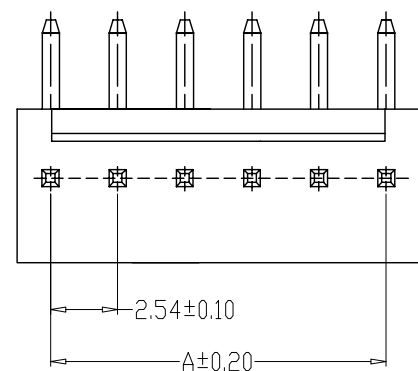
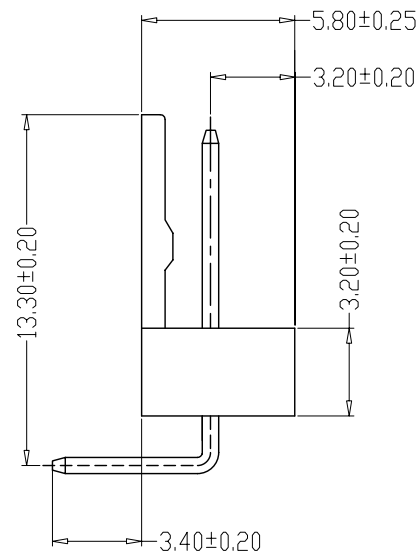
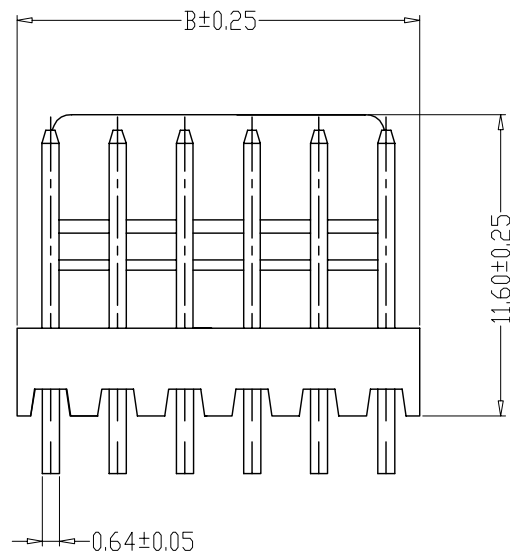
Pin Material: Phosphor Bronze or Brass

Contact Area Plating: Plated Tin or Plated Gold  
Mates with :P2501 series Housing

Poles: 02-15P

Part No.: M2510R-G-xxP

Pin位数



PCB LAYOUT

编 号	尺寸 (mm)	
	A	B
02	2.54	5.08
03	5.08	7.62
04	7.62	10.16
05	10.16	12.70
06	12.70	15.24
07	15.24	17.78
08	17.78	20.32
09	20.32	22.86
10	22.86	25.40
11	25.40	27.94
12	27.94	30.48
20	48.26	50.80

				TOLERANCE UNLESS OTHERWISE		DRAWN	CK tan	<b>XFCN</b> 兴飞连接器有限公司 XFCN CONNECTORS CO.,LTD.	SHEET	1/1
				X. ±0.30 X° ±5°	CHKD				DATE	2020.04.12
				.X ±0.20 .X° ±2°	APPD	PRODUCT NAME			UNITS	mm
				.XX ±0.08 .XX° ±1°	VIEW	PART. NO.			SCALE	1:1
AO	MODIFICATION			DRAW	DATE			DWG. NO.	009	
VER										