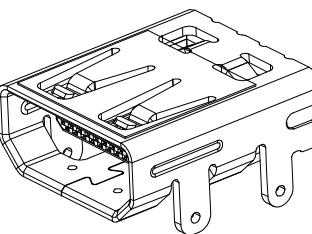
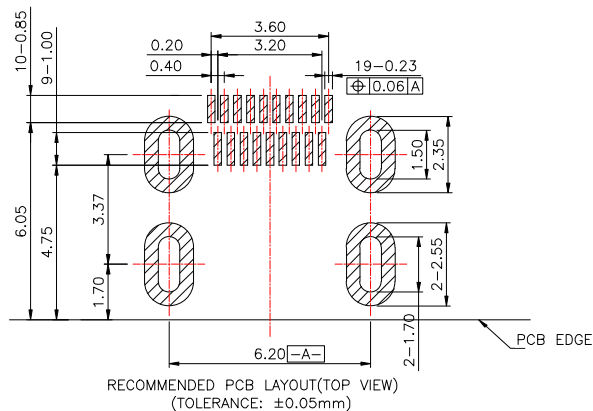
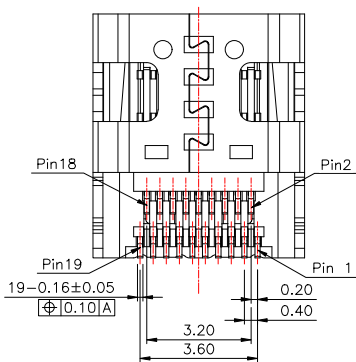


Receptacle and Plug Mated Condition



PIN	Signal Assignment
1	Hot Plug Detect
2	Utility
3	TMDS Data2+
4	TMDS Data2 Shield
5	TMDS Data2-
6	TMDS Data1+
7	TMDS Data1 Shield
8	TMDS Data1-
9	TMDS Data0+
10	TMDS Data0 Shield
11	TMDS Data0-
12	TMDS Clock+
13	TMDS Clock Shield
14	TMDS Clock-
15	CEC
16	DDC/CEC Ground
17	SCL
18	SDA
19	+5V Power



RECOMMENDED PCB LAYOUT(TOP VIEW)  
(TOLERANCE: ±0.05mm)

Notes:

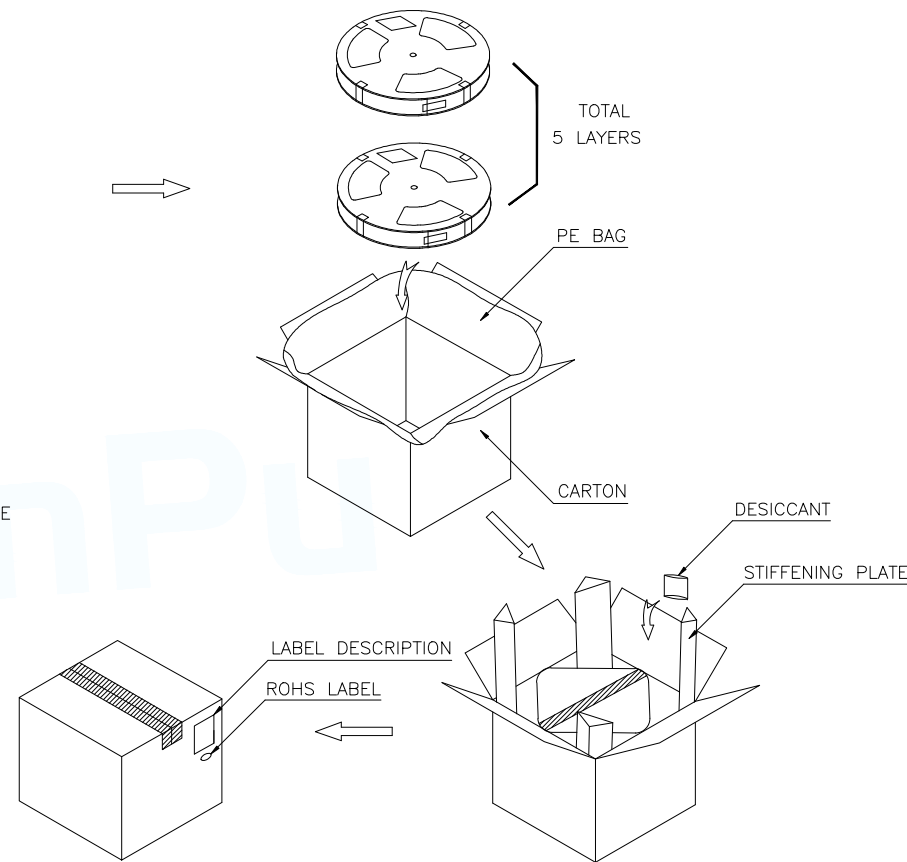
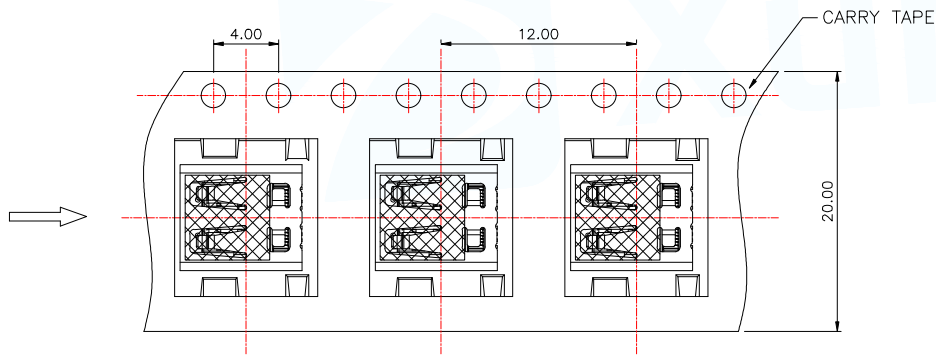
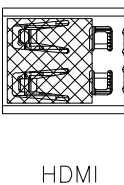
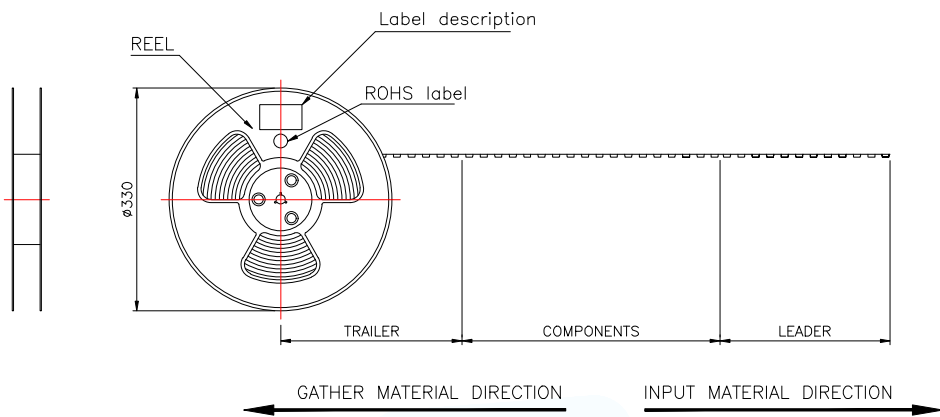
- Materials
    - Housing: LCP+30% G/F, Black, UL94 V-0;
    - Contact: Phosphor Copper (C5191), Gold Plating at mating area, Matte Tin or Au Plating at solder tail, all over Nickel;
    - Shell: Phosphor Copper (C5191);
  - Ratings
    - Current Rating: 0.3A ;
    - Operating Temperature: -40°C ~ 85°C;
  - Electrical Requirement:
    - LLCR: Excluding Conductor Resistance 10mΩ Max.(Target design value),
- Contact: 30mΩ Max. changed (Final), Shell: 50mΩ Max. Changed (Final);
- Dielectric Withstanding Voltage: 150V AC (RMS) for 1 minute (Mated), 250V AC (RMS) for 1 minute (Unmated);
  - Insulation Resistance: 10MΩ Min. @ 150V DC (Mated), 100MΩ Min. @ 500V DC (Unmated);
- Mechanical Performance:
    - Insertion force: 44.1N (4.5Kgf) Max.;
    - Withdrawal force: 4.9~25N (0.5~2.5Kgf);
    - Durability life: 5,000 Cycles;
  - IR Reflow: the peak temperature on board shall be maintained for 10 seconds at 260±5°C.

MANUFACTURE DWG	
UNLESS OTHERWISE SPECIFIED TOLERANCES	
DECIMALS:	ANGLES:
X.X:±0.30	X.':±2'
X.XX:±0.25	X.X':±0.5'
X.XXX:±0.15	


**东莞市讯普电子科技有限公司**  
 DongGuan XunPu Electronics Co.,Ltd



TITLE: HDMI D TYPE 外壳插件 端子贴片	
PAR	HDMI-101S
DWN	
CHKD	
APVD	
SCALE:1:1	UNIT:MM
SIZE:A4	SHEET:1F1
CUSTOMER COPY	REV:A



Notes:

1. The start and end of each reel, based on the actual quantity, reserved 10--15pcs space;
2. Peel off force of top tape: 10g~130g, peel deg.:165°~175°; peel speed: 250~300mm/min;
3. Carton size: 350\*350\*155mm.
4. QTY: 1000pcs/reel, 5reel/carton, total 6000pcs/carton;

MANUFACTURE DWG			 东莞市讯普电子科技有限公司 DongGuan XunPu Electronics Co.,Ltd	
UNLESS OTHERWISE SPECIFIED TOLERANCES			TITLE: HDMI D TYPE 外壳插件 端子贴片	
DECIMALS:	ANGLES:		PAR	HDMI-101S
X.X:±0.30	X.':±2'		DWN	
X.XX:±0.25	X.X':±0.5'	CHKD		
X.XXX:±0.15		APVD		
		SCALE1:1	UNIT:MM	
		CUSTOMER COPY	SIZE:A4	SHEET:1F1
				REV:A