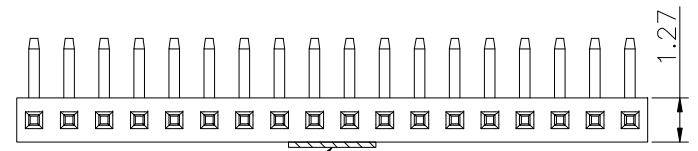
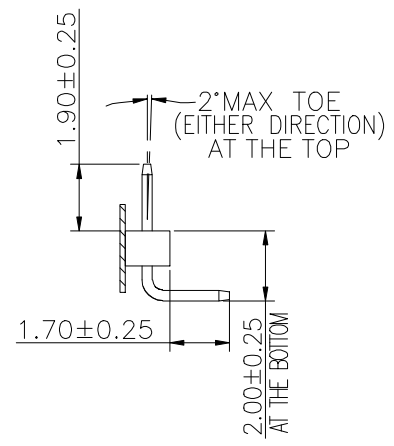
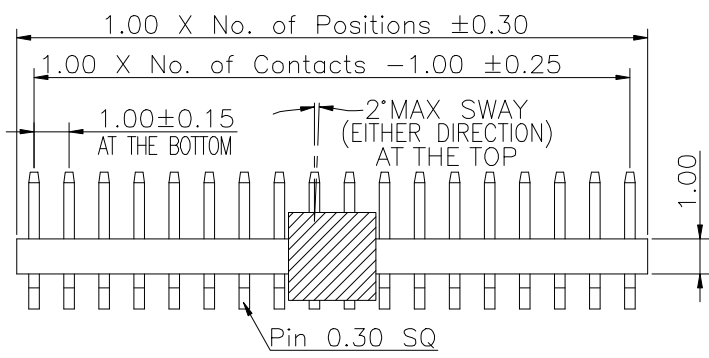


REV.	LOCAS.	DESCRIPTION	DATE	DRAWN
01	NEW	BATCH PRODUCTION INITIAL RELEASE.	2021.09.13	何東華



acetate tape  
2.50\*2.50\*0.15



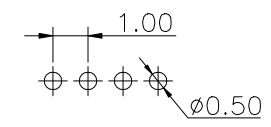
Specifications  
 Current Rating:1.0Amp  
 Insulation Resistance:1000MΩMin.  
 Dielectric Withstanding Voltage:300VAC  
 Contact Resistance:20mΩMax.  
 Operating Temperature:-40°C to +105°C  
 Materials  
 Contact Material:Copper alloy  
 High Temperture Thermoplastic: Suitable for  
 Reflow Soldering Process(LCP)  
 All materials must meet Greenconn  
 requirement for environment protection.

### Ordering Information

G PCB101 - XX XX A 056 X X X X X X

No. of Pins per Row 02~40  
 Standard Plating 02=Gold Flash  
 Selective Plating 01=Tin  
 Insulator Material C=LCP  
 Color 1=Black 5=Natural  
 Contact Material A=Phosphor Bronze  
 Standard Packing C=Tube(A00)  
 Selective Packing A=Box  
 G=Acetate Tape+Tube(A00)  
 H=Acetate Tape+Tape&Reel

Recommended P.C.Board  
 Layout  
 (Tolerance:±0.05)



 Website:www.greenconn.com E-mail:sales@greenconn.com	3RD.ANG PROJ.	GENERAL TOLERANCE		DESIGNED: 何東華	DATE: 2021.09.13	DWG. NO.	TITLE: 1.00 PIN HEADER SINGLE ROW R/A TYPE CONNECTOR
	 PAGE. 1/1	.X'±5.0'	X.±0.30	CHECKED: 張春進	DATE: 2021.09.13	PART NO. GPCB101-XXXX A056XXXX	
		.X'±3.0'	.X±0.25	APPROVED: 邱國廷	DATE: 2021.09.13		
		.XX'±2.0'	.XX±0.15				
REV. 01	UNIT. mm	SCALE. 5:1	.XXX'±1.0'	.XXX±0.10			