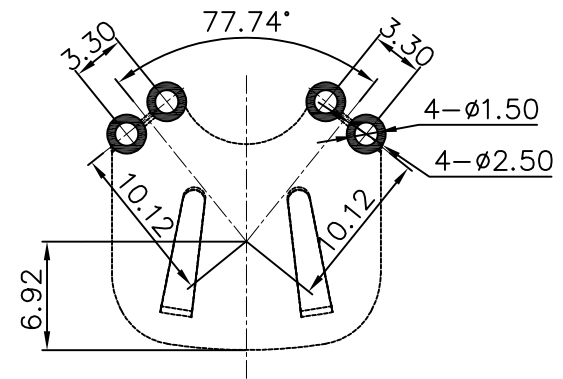
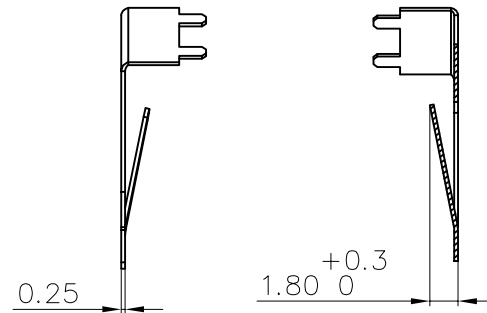
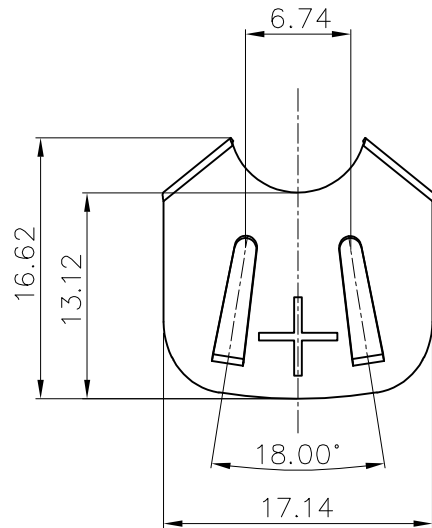
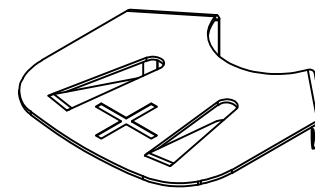
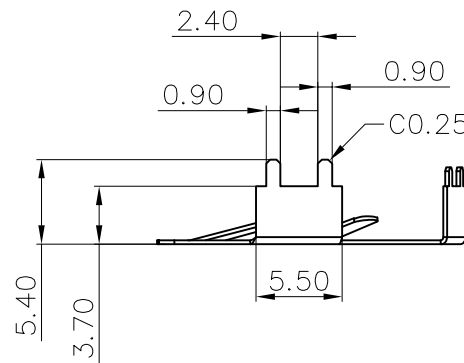
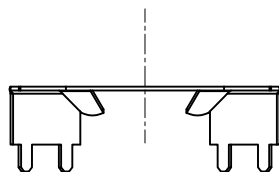




REV.	ECN NO.	REVISED	DATE



PCB Layout Diagram  
Top View



技术要求:

- 1、截剪断面毛刺高度 $\leq 0.03\text{mm}$ ;
- 2、部件要求平整,无变形、裂纹、损伤等外观缺陷;

UNLESS OTHERWISE SPECIFIED TOLERANCES		<b>MYOUNG 美阳</b> <a href="http://www.meiyangdz.com">www.meiyangdz.com</a>			
DECIMALS: X :±0.30 X.X :±0.25 X.XX :±0.20 X.XXX :±0.10	ANGLES: X :±1° X.X :±0.5°	DSND	YangFeng	DATE	2021-12-22
WEIGHT:		CHKD	ZhouRuicai	DATE	2021-12-22
SHEET 1 OF 1		APVD	XueShunyong	DATE	2021-12-22
TITLE:		SCALE:	SIZE: A4	VIEW:	⊕ ↺
PART NO.:		UNIT: mm	REV.: A/0	OBJECT: MY	MY-2032-27
DRAW NO.:MY-CP-0290					

1	TERMINAL+	1	C67 STEEL hardening 48-50	Ni(15um)-Plating
NO.	PART NAME	Q'TY	MATERIAL	PLATING & COLOR