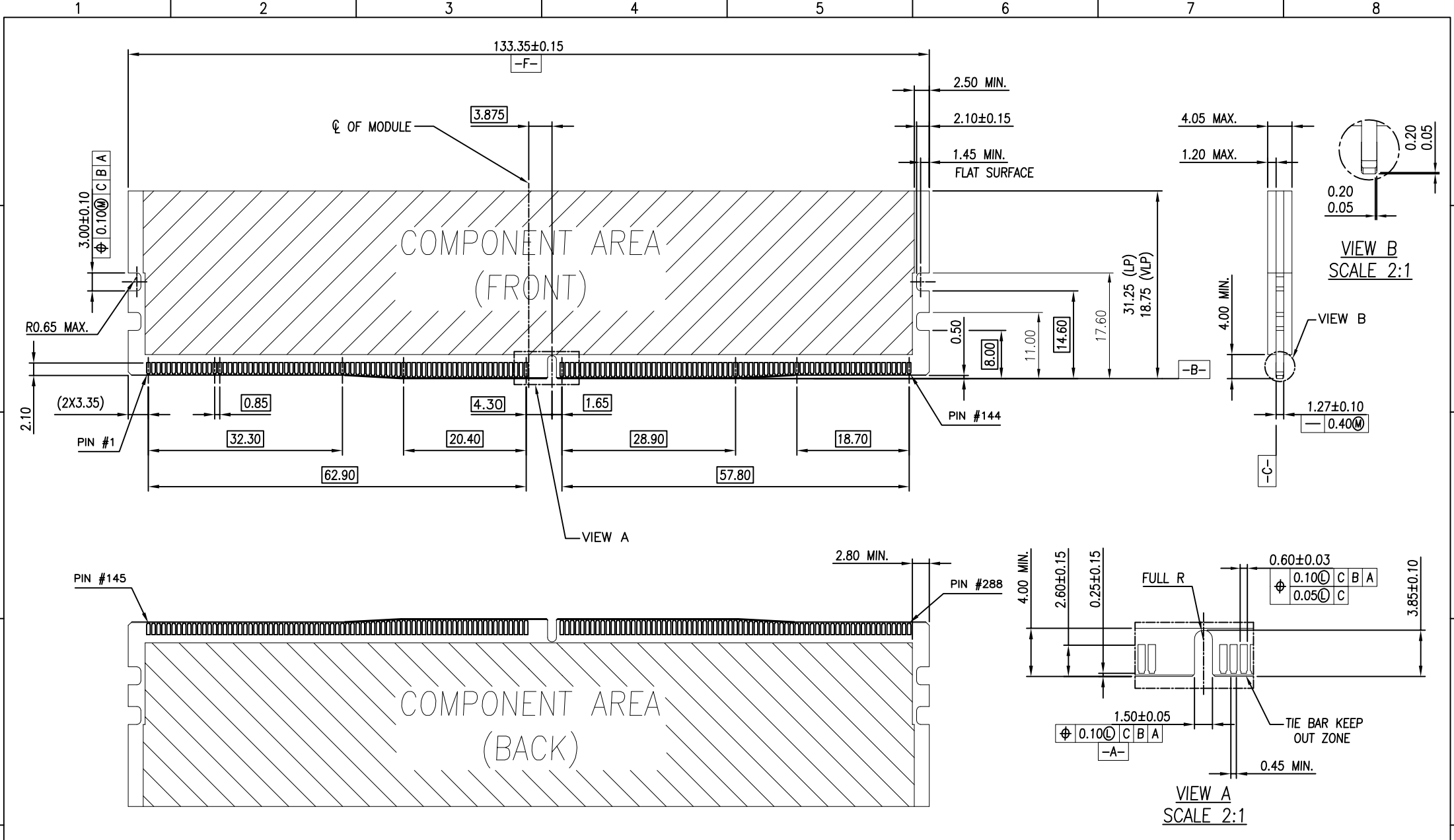
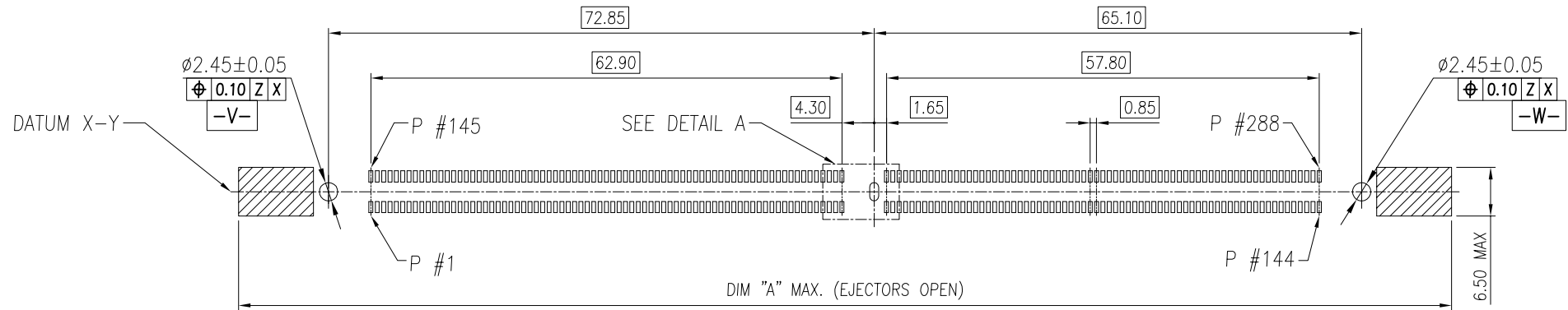


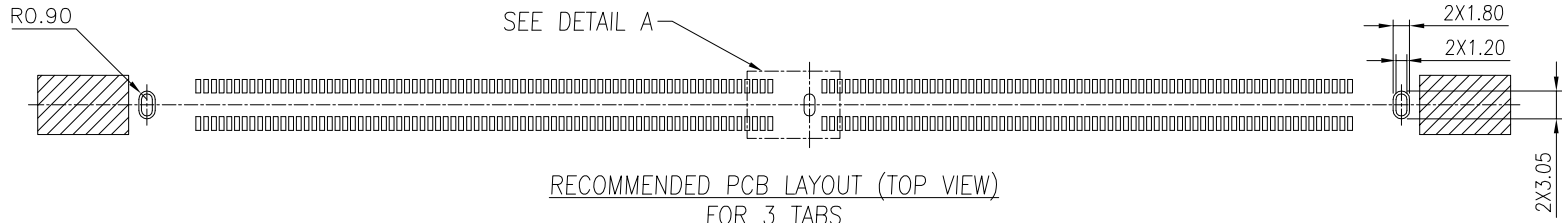
				TOLERANCE		UMax conn 东莞市友贸实业有限公司 DONGGUAN UMAX ENTERPRISE LIMITED		TITLE: DDR 5, 288P MEMORY SOCKET SMT TYPE CONNECTOR				
				LINEAR	ANGLES			PART NO. 90413-XX0XX-XX				
6	---	Lin xuejun	Oct,12,2022	X.±0.40	X'± 3'	APPD:	Jason	MAT'L:	DWG NO. C-90413			
5	---	Lei Songping	Jul,08,2022	.X±0.30	.X'±	CHKD:	Schumi	FINISH:	UNITS	SCALE	SHEET	REV
4	---	Lin xuejun	Jan,10,2022	.XX±0.20	.XX'±	DRWN:	Lei Songping	Q'TY:	MM	1 : 1	1 OF 4	6
3	---	Lei Songping	Nov,04,2021	.XXX±0.10	.XXX'±							
REV	ECN NO.	NAME	DATE									



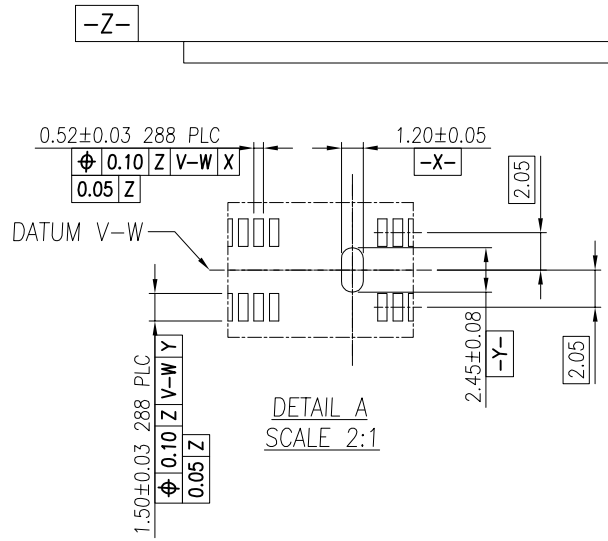
				TOLERANCE		UMax conn 东莞市友贸实业有限公司 DONGGUAN UMAX ENTERPRISE LIMITED		TITLE: DDR 5, 288P MEMORY SOCKET SMT TYPE CONNECTOR					
				LINEAR	ANGLES			PART NO. 90413-XX0XX-XX					
				$X \pm 0.40$	$X' \pm 3'$	APPD: Jason		MAT'L:		DWG NO. C-90413			
				$.X \pm 0.30$	$.X' \pm$	CHKD: Schumi		FINISH:		UNITS SCALE SHEET REV			
REV	SEE SHEET 1	NAME	DATE	$.XX \pm 0.20$	$.XX' \pm$	DRWN: Lei Songping		Q'TY:		MM	1 : 1	2 OF 4	6
	ECN NO.			$.XXX \pm 0.10$	$.XXX' \pm$								



RECOMMENDED PCB LAYOUT (TOP VIEW)
FOR 3 BOARDLOCKS



RECOMMENDED PCB LAYOUT (TOP VIEW)
FOR 3 TABS



TOLERANCE	
LINEAR	ANGLES
X.±0.40	X'.± 3'
.X±0.30	.X'±
.XX±0.20	.XX'±
.XXX±0.10	.XXX'±

UMax conn 东莞市友贸实业有限公司 DONGGUAN UMAX ENTERPRISE LIMITED	
APPD: Jason	MAT'L:
CHKD: Schumi	FINISH:
DRWN: Lei Songping	Q'TY:

TITLE: DDR 5, 288P MEMORY SOCKET SMT TYPE CONNECTOR			
PART NO. 90413-XX0XX-XX		DWG NO. C-90413	
UNITS	SCALE	SHEET	REV
MM	1 : 1	3 OF 4	6

REV	ECN NO.	NAME	DATE
	SEE SHEET 1		

NOTES:

1. MATERIAL :

- 1.1 HOUSING: HIGH PERFORMANCE RESINS, GLASS FIBER, UL94 V-0, COLOR: SEE PART NO..
- 1.2 LATCH: HIGH PERFORMANCE RESINS, GLASS FIBER, UL94 V-0, COLOR: SEE PART NO..
- 1.3 CONTACTS: COPPER ALLOY.
- 1.4 BOARDLOCK: STAINLESS STEEL.
- 1.5 TABS: STAINLESS STEEL.

2. FINISH :

2.1 CONTACT

- [SEE PART NO..] GOLD PLATING ON THE CONTACT AREA.
- 100u" MIN. MATTE-TIN PLATING ON THE SOLDERING AREA.
- 50u" MIN. NICKEL UNDERPLATING OVERALL.

20.70	147.50	158.50	162.00	LONG
20.30	145.50	156.00	156.00	MIDDLE
20.20	142.00	151.50	152.00	SHORT
DIM. D	DIM. C	DIM. B	DIM. A	LATCH TYPE

PART NO..

90413-XX 0 X X-X X X

CONTACT AREA PLATING
15: 15u" Au
30: 30u" Au

SOLDERTAIL LENGTH
0- FOR SMT TYPE

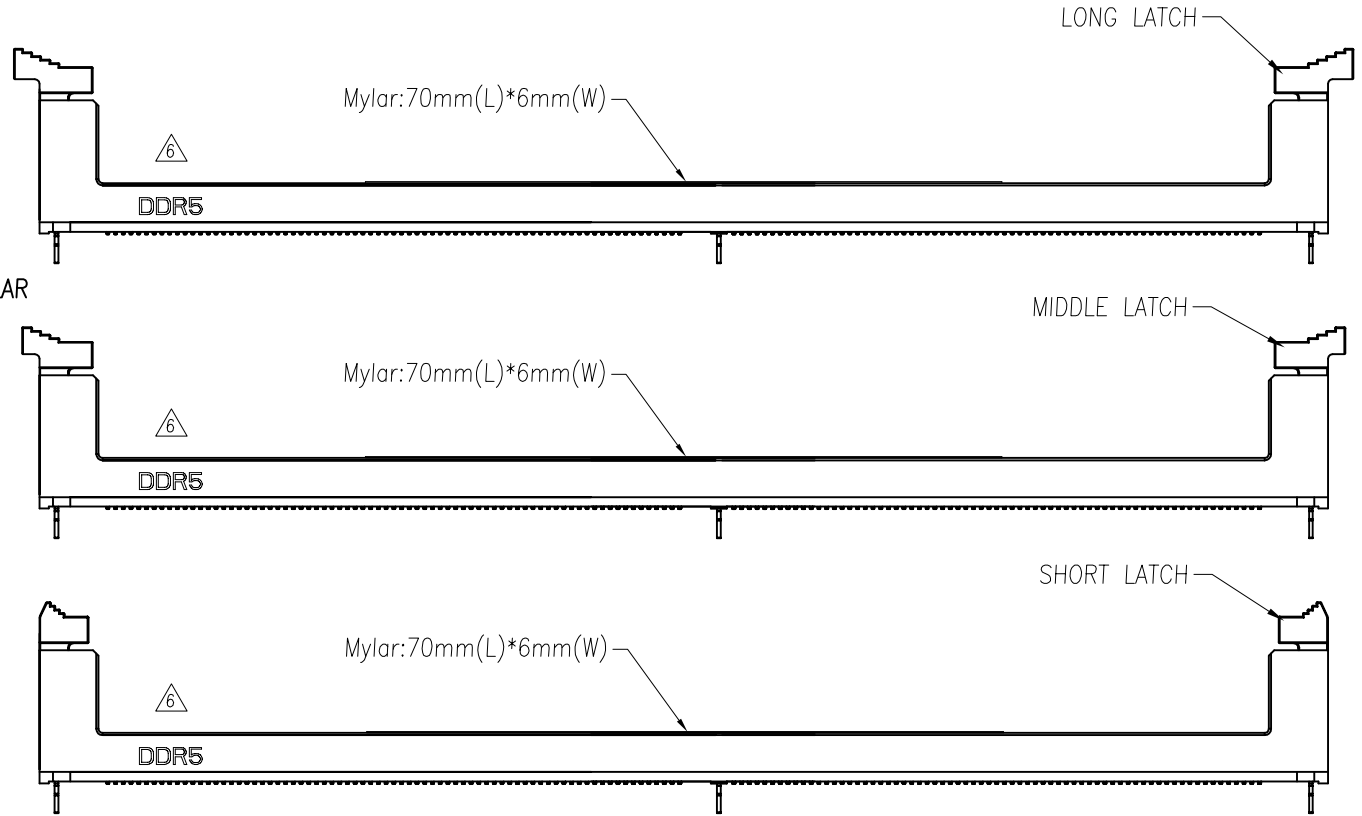
HOUSING COLOR
1: BLACK
2: NATURAL
3: YELLOW
4: BLUE

PACKAGING OPTIONS
BLANK: HARD TRAY
M: HARD TRAY WITH MYLAR

BOARDLOCK TYPE
BLANK: BOARDLOCK
1: TAB

LATCH TYPE
1: SHORT LATCH
2: LONG LATCH
3: MIDDLE LATCH

LATCH COLOR
1: BLACK
2: NATURAL
3: YELLOW
4: BLUE



TOLERANCE	
LINEAR	ANGLES
X.±0.40	X'± 3'
.X±0.30	.X'±
.XX±0.20	.XX'±
.XXX±0.10	.XXX'±

UMax conn 东莞市友贸实业有限公司
DONGGUAN UMAX ENTERPRISE LIMITED

TITLE: DDR 5, 288P MEMORY SOCKET SMT TYPE CONNECTOR

PART NO. 90413-XX0XX-XX

DWG NO. C-90413

APPD: Jason

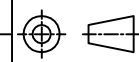
MAT'L:

CHKD: Schumi

FINISH:

DRWN: Lei Songping

Q'TY:



UNITS	SCALE	SHEET	REV
MM	1 : 1	4 OF 4	6

SEE SHEET 1			
REV	ECN NO.	NAME	DATE