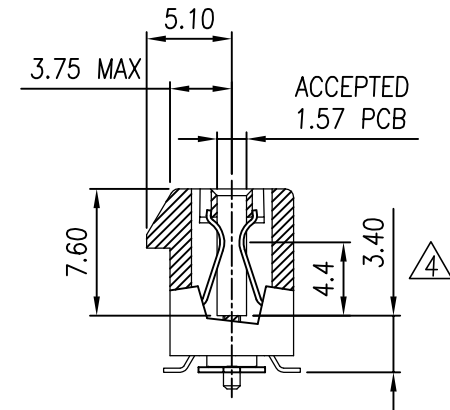
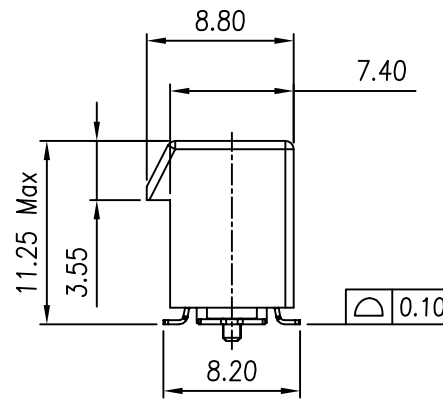
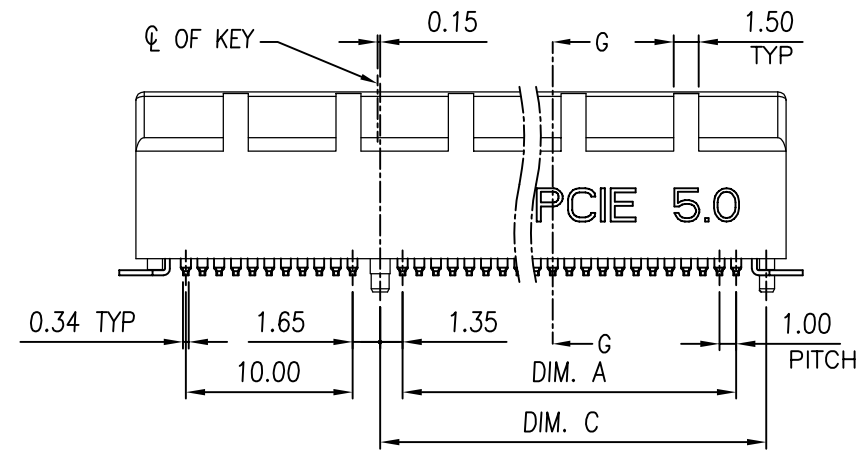
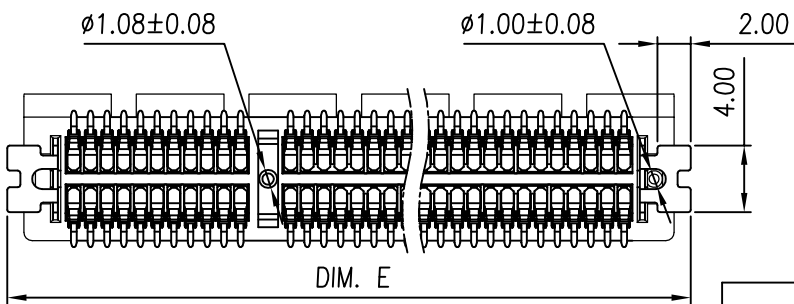


DIMENSIONS					
POSITION	A ±0.20	B ^{+0.20} _{-0.08}	C ±0.25	D ±0.25	E ±0.30
36	6.00	7.65	9.15	25	27
64	20.00	21.65	23.15	39	41
98	37.00	38.65	40.15	56	58
164	70.00	71.65	73.15	89	91



SECTION G-G



PROVISIONAL

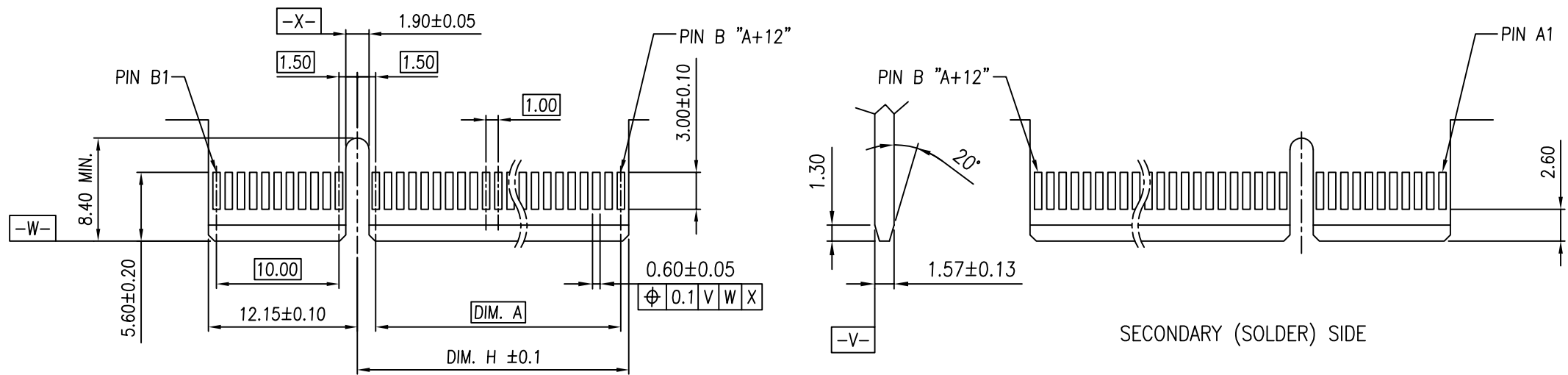
REV	ECN NO.	NAME	DATE
4	-----	Lei Songping	Sep,22,2022
3	-----	Lei Songping	Aug,02,2022

TOLERANCE	
LINEAR	ANGLES
X.±0.40	X'±
.X±0.30	.X'±
.XX±0.20	.XX'±
.XXX±0.10	.XXX'±

UMax conn 东莞市友贸实业有限公司
DONGGUAN UMAX ENTERPRISE LIMITED

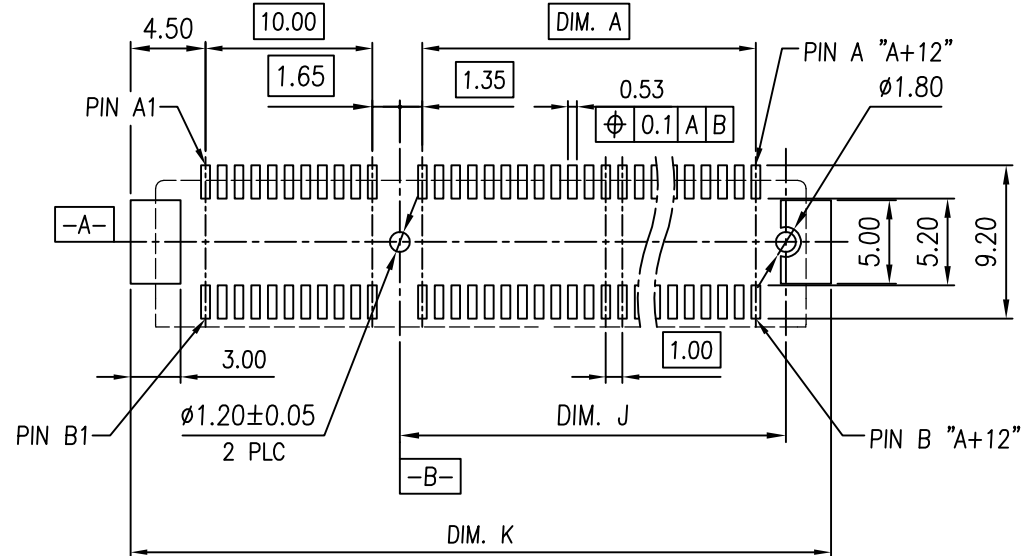
APPD: Jason MAT'L:
CHKD: Schumi FINISH:
DRWN: Lei Songping Q'TY:

TITLE: PCI-E CARD EDGE GEN5 SMT			
PART NO.	91650-XXXXXX		
DWG NO.	C-91650		
UNITS	SCALE	SHEET	REV
MM	1 : 1	1 OF 4	4



← I/O PANEL DIRECTION
PRIMARY (COMPONENT) SIDE

NOTES:
CHAMFER EDGE MUST BE FREE OF CUTTING BURRS



RECOMMENDED PCB LAYOUT
(COMPONENT SIDE)
TOLERANCE: ± 0.05

POS.	DIM. A	DIM. H	DIM. J	DIM. K
36	6	8.15	9.15	28.0
64	20	22.15	23.15	42.0
98	37	39.15	40.15	59.0
164	70	72.15	73.15	92.0

PROVISIONAL

REV	SEE SHEET 1	NAME	DATE
ECN NO.			

TOLERANCE	
LINEAR	ANGLES
X. \pm 0.40	X'. \pm
.X \pm 0.30	.X'. \pm
.XX \pm 0.20	.XX'. \pm
.XXX \pm 0.10	.XXX'. \pm

Umax conn 东莞市友贸实业有限公司
DONGGUAN UMAX ENTERPRISE LIMITED

APPD: Jason MAT'L:
CHKD: Schumi FINISH:
DRWN: Lei Songping Q'TY:

TITLE: PCI-E CARD EDGE GEN5 SMT			
PART NO. 91650-XXXXXX		DWG NO. C-91650	
UNITS MM	SCALE 1 : 1	SHEET 2 OF 4	REV 4

NOTES:

1. MATERIAL:

- 1.1 HOUSING: THERMOPLASTIC, HIGH TEMP, UL94V-0, COLOR: SEE PART No..
- 1.2 CONTACTS: COPPER ALLOY.
- 1.3 HOLDDOWN: COPPER ALLOY.

2. FINISH:

2.1 CONTACT:

- SELECTIVE GOLD PLATING ON THE CONTACT AREA.
- 100 μ " MIN. MATTE-TIN PLATING ON THE SOLDER TAILS,
- 50 μ " MIN. NICKEL UNDERPLATING OVERALL.

2.2 HOLDDOWN:

- 100 μ " MIN. MATTE-TIN PLATING WITH 50 μ " MIN. NICKEL UNDERPLATE OVERALL.

4. PRODUCT SPEC: PS-GEN5-01

5. PACKAGING SPEC: 311304001 FOR TRAY, 311304002 FOR TAPE & REEL, 311304003 FOR HARD TRAY.

6. THE PATENT IS OBTAINED FOR UMAX

PART NO.

91650 - X 1 X X X X HF

Ridge Options

- 0: Non Ridge
- 1: With Ridge

HSG Color

- 1: Black

Post Options

- 0: With Post
- 1: Without Post

Contact Plating

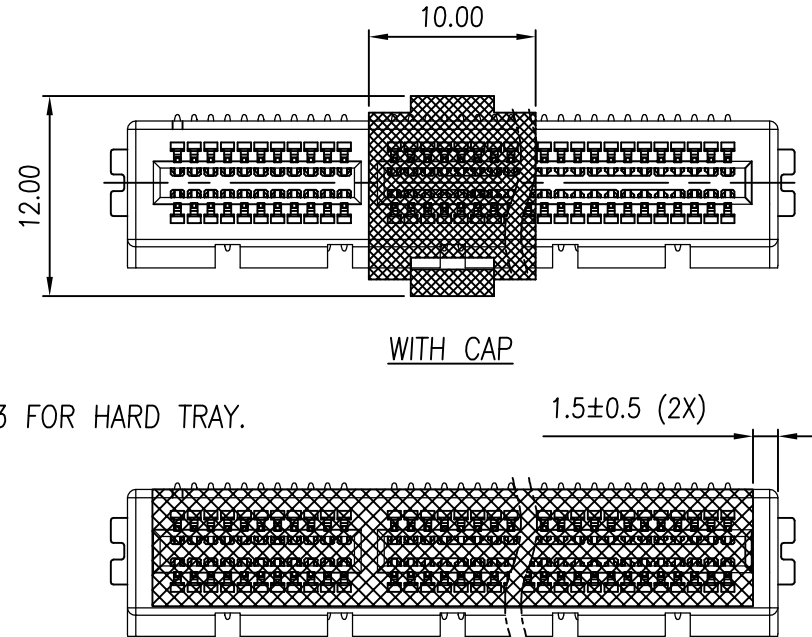
- 0: 30u" Gold
- 1: 15u" Gold
- 2: Gold Flash

Packing Options

- T-Tray Packaging
- C-Tray Packaging With Cap
- N-Tray Packaging With Mylar
- R: Tape & Reel Packaging (24PH For 164P, 20PH For Other Pins)
- P: Tape & Reel Packaging With Cap (24PH For 164P, 20PH For Other Pins)
- M: Tape & Reel Packaging With Mylar (24PH For 164P, 20PH For Other Pins)
- Y-Hard Tray (338x235x21.4)
- Z-Hard Tray (338x235x21.4) With Mylar
- B-Hard Tray (338x235x21.4) With Cap

No. of Pins

- 0: 36P
- 1: 64P
- 2: 98P
- 3: 164P



WITH CAP

WITH MYLAR

PROVISIONAL

TOLERANCE	
LINEAR	ANGLES
X.±0.40	X'±
.X±0.30	.X'±
.XX±0.20	.XX'±
.XXX±0.10	.XXX'±

UMax conn 东莞市友贸实业有限公司
DONGGUAN UMAX ENTERPRISE LIMITED

APPD: Jason MAT'L:
CHKD: Schumi FINISH:
DRWN: Lei Songping Q'TY:

TITLE: PCI-E CARD EDGE GEN5 SMT

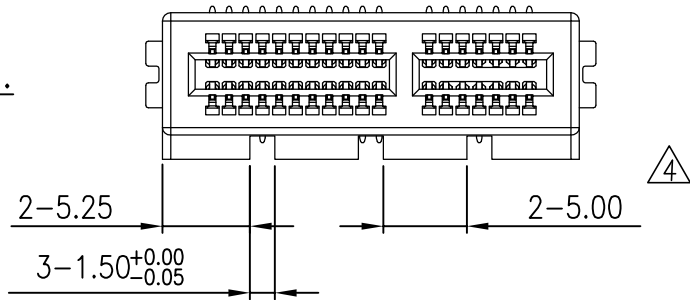
PART NO. 91650-XXXXXX

DWG NO. C-91650

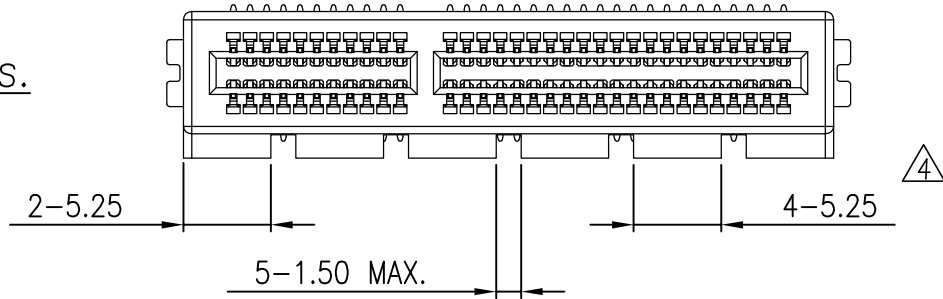
UNITS	SCALE	SHEET	REV
			4
MM	1 : 1	3 OF 4	

SEE SHEET 1			
REV	ECN NO.	NAME	DATE

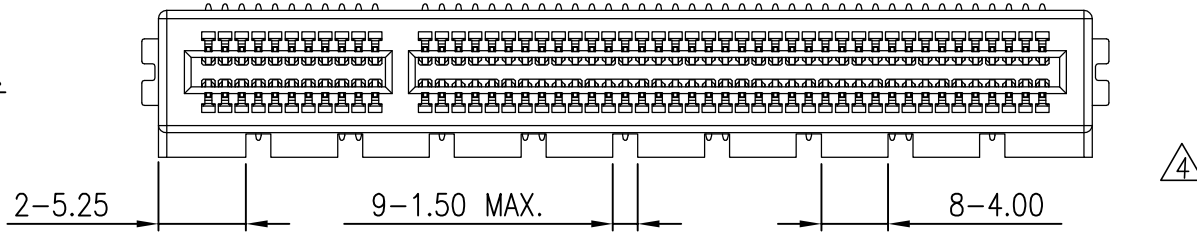
36 Pos.



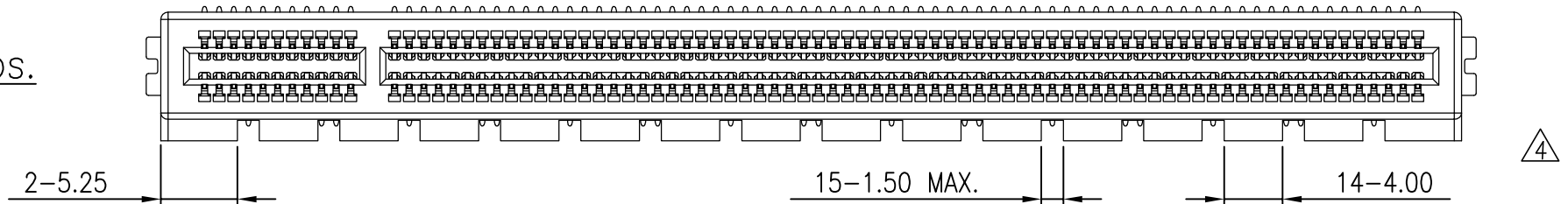
64 Pos.



98 Pos.



164 Pos.



PROVISIONAL

REV	SEE SHEET 1	NAME	DATE
	ECN NO.		

TOLERANCE	
LINEAR	ANGLES
X.±0.40	X'±
.X±0.30	.X'±
.XX±0.20	.XX'±
.XXX±0.10	.XXX'±

UMax conn 东莞市友贸实业有限公司
DONGGUAN UMAX ENTERPRISE LIMITED

APPD: Jason MAT'L:
CHKD: Schumi FINISH:
DRWN: Lei Songping Q'TY:

TITLE: PCI-E CARD EDGE GEN5 SMT				
PART NO.		91650-XXXXXX		
DWG NO.		C-91650		
	UNITS	SCALE	SHEET	REV
	MM	1 : 1	4 OF 4	4