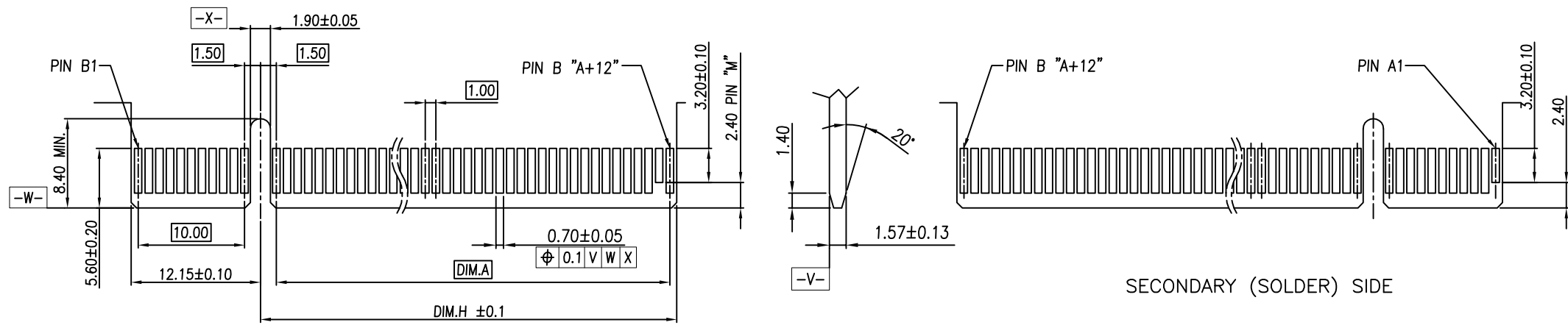


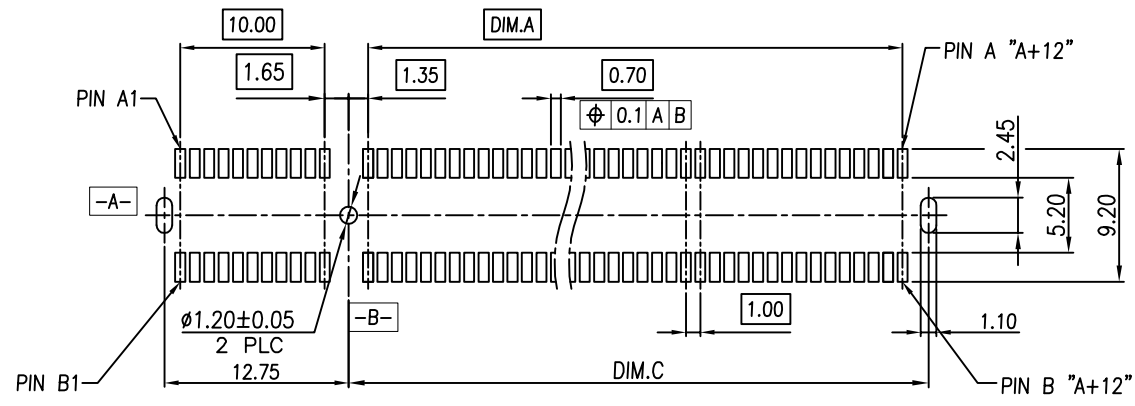
DIMENSIONS					
POSITION	A±0.20	B ± 0.20 ± 0.08	C±0.25	D ±0.25	E ±0.55
36	6	7.65	9.15	25	50.7
64	20	21.65	23.15	39	64.7
98	37	38.65	40.15	56	81.7
164	70	71.65	73.15	89	114.7

				TOLERANCE		UMax 东莞市友贸实业有限公司 conn DONGGUAN UMAX ENTERPRISE LIMITED	TITLE: PCI EXPRESS Gen4 SMT WITH TAB & LATCH TYPE			
		LINEAR	ANGLES				PART NO.	91621-1X0XXNXX		
1	-----	Lin xuejun	Oct,13,2022	.X±0.40	.X'±	APPD: Jason	MAT'L:			
0	-----	Lei Songping	Jun,21,2022	.XX±0.20	.XX'±	CHKD: Schumi	FINISH:			
REV	ECN NO.	NAME	DATE	.XXX±0.10	.XXX'±	DRWN: Lei Songping	Q'TY:			
							UNITS	SCALE	SHEET	REV
						MM	1 : 1	1 OF 3	1	CUSTOMER



← I/O PANEL DIRECTION
PRIMARY (COMPONENT) SIDE

NOTES:
CHAMFER EDGE MUST BE FREE OF CUTTING BURRS



RECOMMENDED PCB LAYOUT
(COMPONENT SIDE)
TOLERANCE: ±0.05

POS.	DIM. A	DIM. C	DIM. H	"M"
36	6	9.15	8.15	B17
64	20	23.15	22.15	B31
98	37	40.15	39.15	B48
164	70	73.15	72.15	B81

See Sheet 1			
REV	ECN NO.	NAME	DATE

TOLERANCE	
LINEAR	ANGLES
X.±	X'±
.X±	.X'±
.XX±	.XX'±
.XXX±	.XXX'±

UMax conn 东莞市友贸实业有限公司
DONGGUAN UMAX ENTERPRISE LIMITED

APPD: Jason MAT'L:

CHKD: Schumi FINISH:

DRWN: Lei Songping Q'TY:

TITLE: PCI EXPRESS Gen4
SMT WITH TAB & LATCH TYPE

PART NO. 91621-1X0XXXNXX

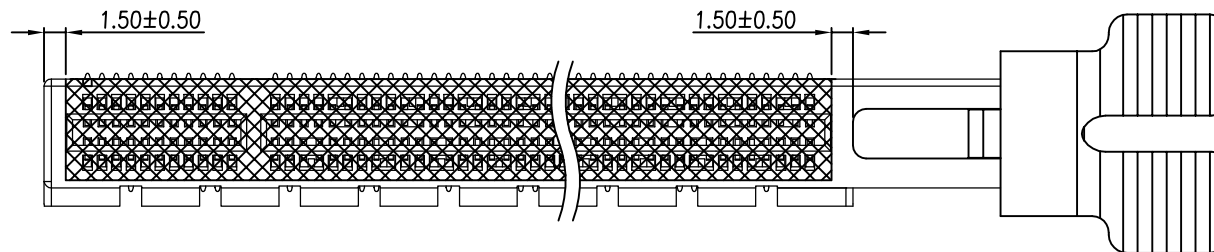
DWG NO. C-91621

UNITS	SCALE	SHEET	REV
	MM	1 : 1	2 OF 3

1

NOTES:

1. MATERIAL:
 - 1.1 HOUSING: THERMOPLASTIC, HIGH TEMP, UL94V-0, COLOR: BLACK.
 - 1.2 LATCH: THERMOPLASTIC, HIGH TEMP, UL94V-0, COLOR: SEE PART NO.
 - 1.3 CONTACTS: COPPER ALLOY.
 - 1.4 HOLDDOWN: COPPER ALLOY.
2. FINISH:
 - 2.1 CONTACT:
 - SELECTIVE GOLD PLATING ON THE CONTACT AREA.
 - 100u" MIN. MATTE-TIN PLATING ON THE SOLDERING AREA.
 - 50u" MIN. NICKEL UNDERPLATING OVERALL.
 - 2.2 HOLDDOWN:
 - 100u" MIN. MATTE-TIN PLATING ON THE SOLDERING AREA.
 - 50u" MIN. NICKEL UNDERPLATING OVERALL.
4. PRODUCT SPEC: PS-GEN4-01
5. PACKAGING SPEC: 311304001 FOR TRAY



PART NO.

91621 - 1 X 0 X X X N XX

- Ridge Options
 - 1: With Ridge
- Housing Color Options
 - 1: Black Hsg + Natural Latch
 - 2: Black Hsg + Black Latch
- Post Options
 - 0: With Post
- Contact Plating Options
 - 0: 30u" Gold
 - 1: 15u" Gold
 - 2: Gold Flash
- Halogen Options
 - Blank: Halogen
 - HF: Halogen Free
- Packaging Options
 - N: Tray Packaging With Mylar
- No. of Pins
 - 0: 36P
 - 1: 64P
 - 2: 98P
 - 3: 164P
- Dim.L
 - 0 - 3.05
 - 1 - 2.20

TOLERANCE		UMax conn 东莞市友贸实业有限公司 DONGGUAN UMAX ENTERPRISE LIMITED	TITLE: PCI EXPRESS Gen4 SMT WITH TAB & LATCH TYPE						
LINEAR	ANGLES		PART NO. 91621-1X0XXXNXX						
X.±	X'±		DWG NO. C-91621						
.X±	.X'±	APPD: Jason	MAT'L:	UNITS: MM			SCALE: 1 : 1	SHEET: 3 OF 3	REV: 1
.XX±	.XX'±	CHKD: Schumi	FINISH:	Q'TY:					
.XXX±	.XXX'±	DRWN: Lei Songping							

See Sheet 1			
REV	ECN NO.	NAME	DATE