



REV.	ECN NO OR DESCRIPTION	REVISED	DATE

NOTES:  
1.MATERIAL:

- 1.1 HOUSING: LCP UL 94V-0, COLOR: XXXX.
- 1.2 INNER INSULATOR: LCP UL 94V-0, COLOR: XXXX.
- 1.3 2.0 CONTACT: C2680R-EH T=0.20mm
- 1.4 3.0 CONTACT: C2680R-EH T=0.20mm
- 1.5 SHELL: SUS201 T=0.25mm
- 1.6 MIDDLE SHELL: SUS201 T=0.20mm

2.FINISH:  
2.1 CONTACT:  
Au(GOLD FLASH) PLATED ON CONTACT AREA,  
TIN(80u" MIN.) PLATED ON SOLDER TALLS,  
NICKEL(50u" MIN.) NICKEL UNDERPLATING OVER ALL.

2.2 SHELL: NICKEL(50U" MIN.) PLATING OVERALL

3. ELECTRICAL :  
3.1 CONTACT RESISTANCE :  
30 mΩ(MAX) INITIAL FOR VBUS AND GND CONTACTS  
50 mΩ(MAX) INITIAL FOR OTHER CONTACTS

3.2 CURRENT RATING:  
VBUS&GND pins:1.8Amps MAX PER PIN;  
OTHER PINS:0.25A/PIN;

3.3 DIELECTRIC WITHSTANDING VOLTAGE :  
100V AC FOR 1 MINUTE.

3.4 INSULATION RESISTANCE : 100 MΩ MIN

USB 2.0 CONTACT PINS		USB 3.0 CONTACT PINS	
Pin NUMBER	SIGNAL NAME	Pin NUMBER	SIGNAL NAME
1	10 VBUS	5	14 StdA_SSRX-
2	11 D-	6	15 StdA_SSRX+
3	12 D+	7	16 GND_DRAIN
4	13 GND	8	17 StdA_SSTX-
Shell	Shield	9	18 StdA_SSTX+

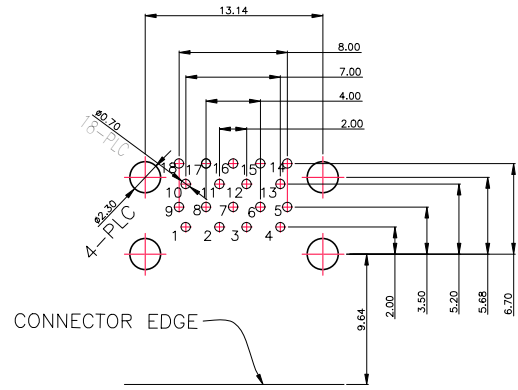
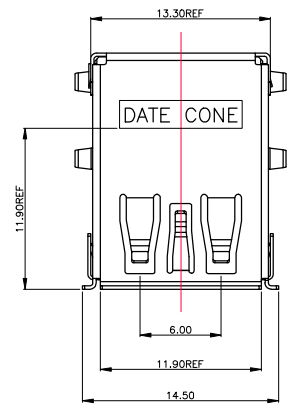
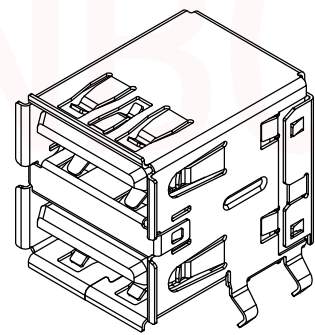
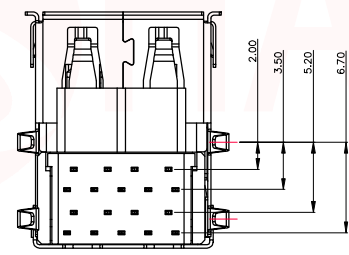
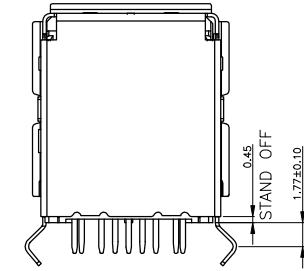
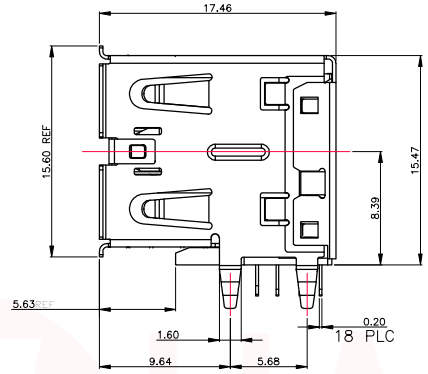
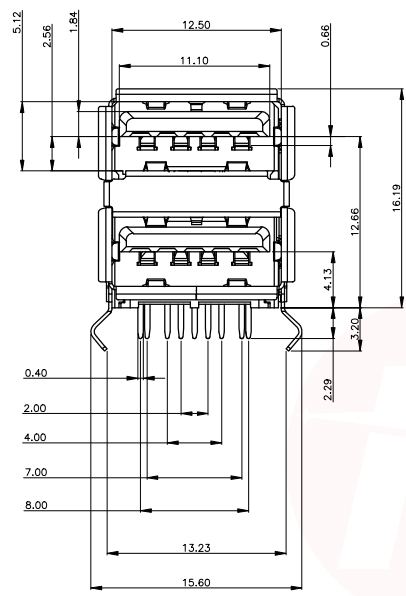
UNLESS OTHERWISE SPECIFIED TOLERANCES

东莞市汉博电子科技有限公司  
DONGGUAN HANBO TECHNOLOGY CO., LTD

DECIMALS: ANGLES:  
X :±0.35 X :±2°  
X.X :±0.25 X.X :±1°  
X.XX :±0.15

TITLE	USB 3.0 A/F 双层DIP 90度		
DWN	xiong	PART NO. USB-U305SC-CJS	
CHKD	lee	SCALE:1:1	UNIT: mm
APVD	wang	SIZE: A4	SHEET:1OF 1
REV: A4			

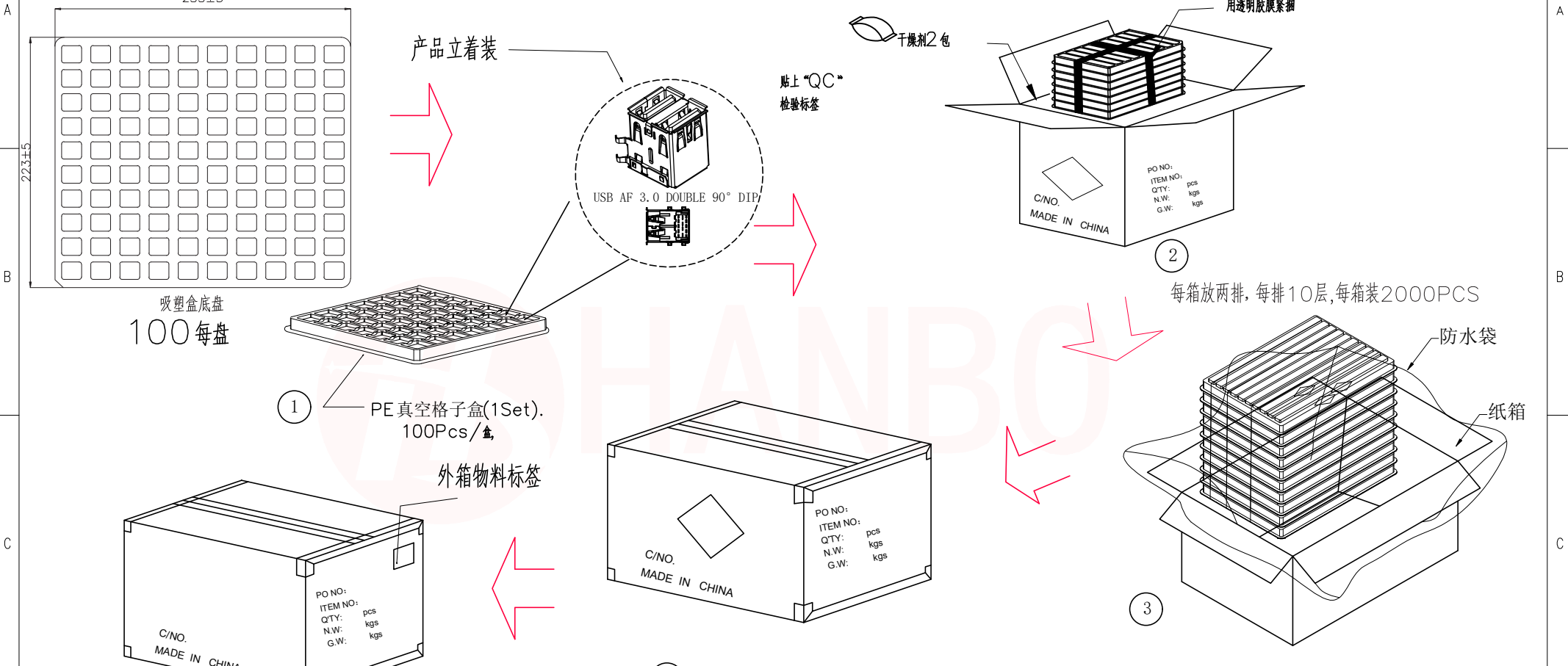
CUSTOMER COPY



RECOMMENDED PCB LAYOUT (TOP VIEW)  
TOLERANCE: ±0.05mm



REV.	ECN NO OR DESCRIPTION	REVISED	DATE



备注:

⑤ 依图示粘贴产品或其它标签。

- 每盘装成品100Pcs; , 另外加1个TRAY做上盖, 并用透明胶膜将每摞紧捆;
- 每箱装20盒另外加1个TRAY做上盖(2000 PCS); 并放干燥剂
- 外箱尺寸与规格印刷: 详见包材图面;
- 外箱用透明胶纸带封“工”字型;
- 依外箱图示位置粘贴好产品或其它标签。(若客户另有贴标签要求, 则按其定单注明之要求贴)

产品名称	每箱数量	净重	毛重
USB 3.0AF 双眼90度	2000 PCS/箱		

UNLESS OTHERWISE SPECIFIED TOLERANCES		东莞市汉博电子科技有限公司 DONGGUAN HANBO TECHNOLOGY CO., LTD			
DECIMALS:	ANGLES:	TITLE	USB 3.0 A/F 双层DIP 90度		
X : ±0.35	X : ±2'	DWN	xiong	PART NO. USB-U305SC-CJS	
X.X : ±0.25	X.X : ±1'	CHKD	lee	SCALE: 1:1	UNIT: mm
X.XX : ±0.15		APVD	wang	SIZE: A4	SHEET: 1 OF 1
CUSTOMER COPY					