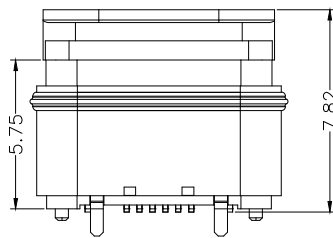
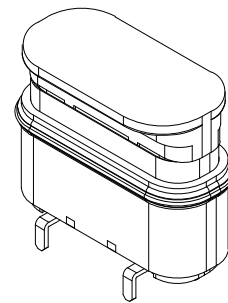
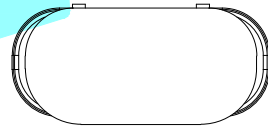
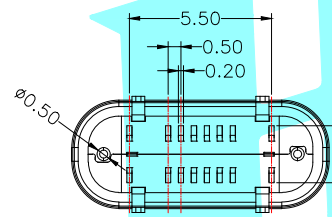
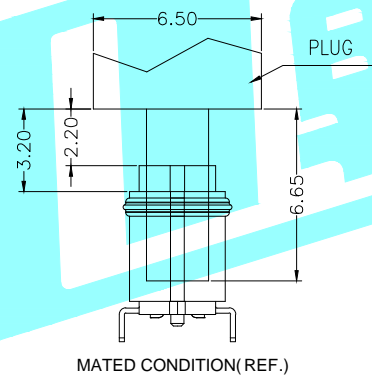
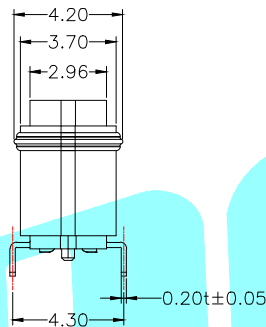
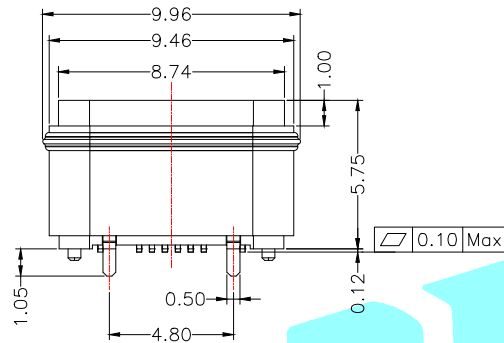


RECOMMEND PCB LAYOUT  
TOL=±0.05

- NOTE:
- Electrical Characteristics:
    - Current Rating: 5A For Pin(A4,A9,B4,B9)
    - 1.25A For Pin(B5)
    - 0.25A For Others Pin
    - Insulation Resistance: 100MΩ Min.
    - Contact Resistance: 50 mΩ Max.
    - Dielectric Withstanding Voltage: 100V/AC 1Minute
  - Mechanical Characteristics:
    - Insertion Force: 5~20N
    - Extraction Force: Initial: 8~20N
    - After durability: 6~20N
    - Durability :10000 Cycles
  - Operating Temperature: -30°C TO +85°C
  - WATERPROOF: IP-X6.



A1	GND	B12	GND
A4	VBUS	B9	VBUS
A5	CC1	B8	SBU2
A6	DP1	B7	DN2
A7	DN1	B6	DP2
A8	SBU1	B5	CC2
A9	VBUS	B4	VBUS
A12	GND	B1	GND
PIN	SIGNAL NAME	PIN	SIGNAL NAME

⑦	RING	—	1	SILICON	Wathet
⑥	MID-PLANT	—	1	STAINLESS STEEL	—
⑤	GND-PLANT	—	1	STAINLESS STEEL	Ni/SN Plated
④	SHELL	—	1	STAINLESS STEEL	—
③	INNER SHELL	—	1	STAINLESS STEEL	Ni Plated
②	CONTACT	—	—	COPPER ALLOY	Au Plated
①	HOUSING	—	1	PA46	BLACK
ITEM	PART NAME	TER'NO.	QTY.	MATERIAL	FINISHING

APPROVALS		DATE		 ELECTRONICS CO.,LTD						
DRAWN	LIUCAN	2021.6.29					TITLE:	USB CONNECTOR		
CHECKED				PART NO.	TYPE-C-31-E-13					
APPROVALS				TOLERANCES ARE	30~以上 ±0.30	ANGLE				
					10~30 ±0.25	±2'				
					5~10 ±0.20	UNIT: mm				
					~ 5 ±0.15	SCALE: 1:1				
ECN NO.	REV.	DATE.	NEW DESCRIPTION.	CHANGE.	CHECK.	APPRO.	DRAWING NO.	SCALE: 1:1	PROJ:	SHEET 1 OF 1