

**RoHS**

**MATERIAL LIST**

TEL:0769-82001899

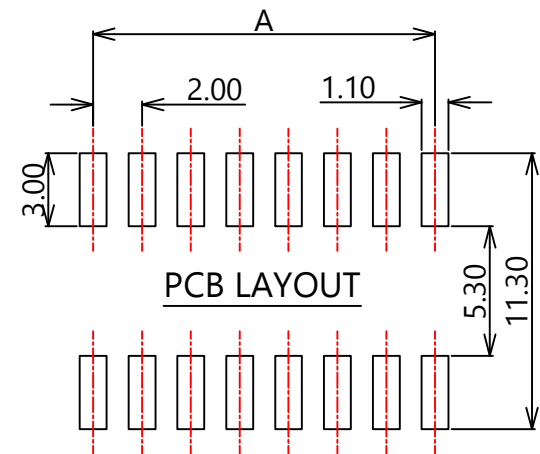
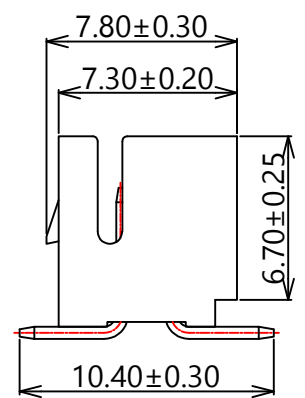
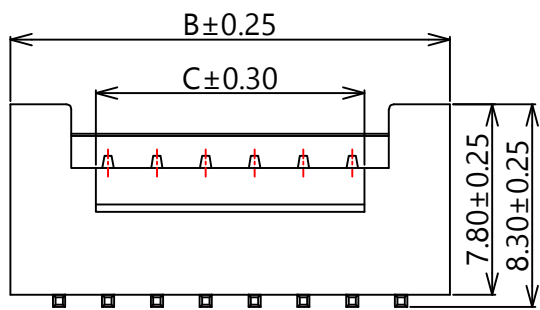
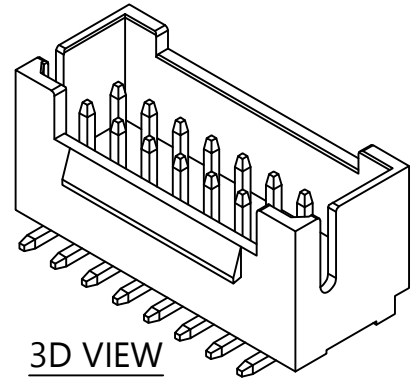
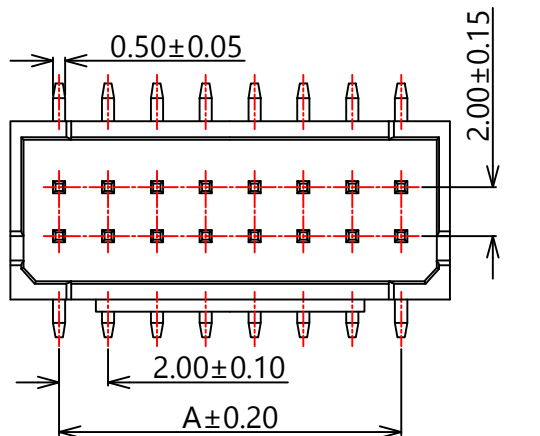
VER	DESCRIBE	NATE	DRAWN
A0	新图框编制	2020/08/29	姜光鸿

NO.	PART	MATERIAL	COATING/COLOR	QTY
1	HOUSING	LCP UL94V-0	BLACK	1
2	TERMINALS	BRASS	PLATING TIN	N

**NOTE:**  
 1 TECHNICAL PARAMETER:  
 1.1 RATINGS: 3A/250V (DC AC)  
 1.2 CONTACT RESISTANCE: 20MΩ MAX.  
 1.3 INSULATION RESISTANCE: 1000MΩ MIN  
 1.4 WITHSTAND VOLTAGE: 800V AC/MINUTE  
 1.5 WORKING TEMPERATURE: -25°C TO +85°C  
 MATES WITH :P2026 SERIES HOUSING  
 POLES:02-22P  
 PART NO: M2026VS-2XxxP

PIN位数

PIN	A	B	C
2X02	2.00	6.00	3.00
2X03	4.00	8.00	3.00
2X04	6.00	10.00	3.00
2X05	8.00	12.00	5.00
2X06	10.00	14.00	7.00
2X07	12.00	16.00	9.00
2X08	14.00	18.00	11.00
2X09	16.00	20.00	13.00
2X10	18.00	22.00	15.00
2X11	20.00	24.00	17.00
2X12	22.00	26.00	19.00
2X13	24.00	28.00	21.00
2X14	26.00	30.00	23.00
2X15	28.00	32.00	25.00
2X16	30.00	34.00	27.00
2X17	32.00	36.00	29.00
2X18	34.00	38.00	31.00
2X19	36.00	40.00	33.00
2X20	38.00	42.00	35.00
2X21	40.00	44.00	37.00
2X22	42.00	46.00	39.00



TOLERANCE UNLESS OTHERWISE		UNIT	mm	<b>XFCN</b> 兴飞连接器有限公司 XFCN CONNECTORS CO., LTD.	DRAWN	姜光鸿
X. ±0.30	X° ±5°	VIEW			CHKD	
.X ±0.20	.X° ±2°	SCALE	1:1	TYPE	2.00mm Crimp Style Connectors	
.XX ±0.08	.XX° ±1°	NUMBER	XF-M013	PART.NO.	M2026VS-2XxxP	
.XXX ±0.03	.XXX° ±0.5°			DATE	2020/08/29	