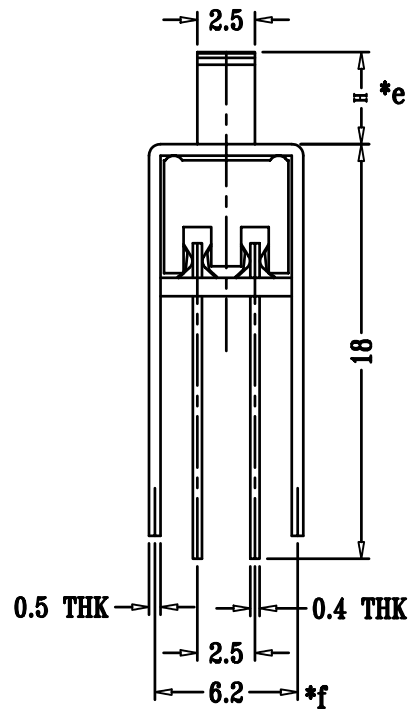
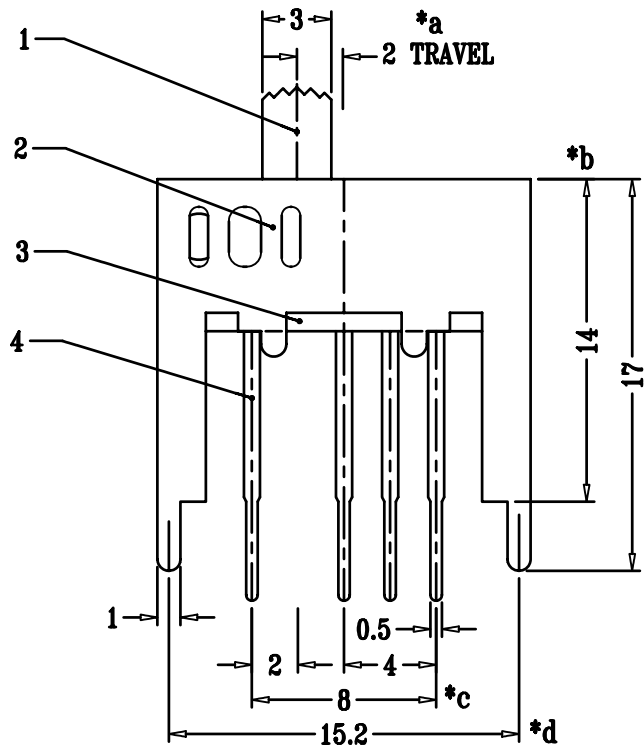
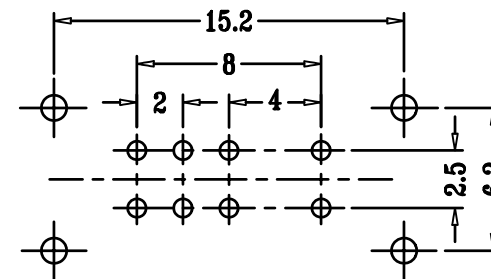


**SCHEMATIC (SHORTING)**



H=XXmm



**P.C.B LAYOUT  
BOTTOM VIEW**

注：“\*”表示关键尺寸(6个)

NO.	PART NAME	MATERIAL	QTY	FINISHING	TOLERANCE UNLESS SPECIFIED		DATE	REVISIONS		BY	APPD
					UP TO 5mm: ±0.1	ANGULAR ±1°		NO	1		
7	STEEL BALL	STEEL	1	NATURAL							
6	SPRING	STEEL WIRE	1	NATURAL							
5	CONTACT CLIP	PBS STRIP	2	Ag CLAD							
4	TERMINAL	BRASS STRIP	8	Ag PLATED	TITLE: VERTICAL SLIDE SWITCH		UNIT : MM	ROHS COMPLIANT	DWN		
3	BASE	PHENOLIC RESIN	1	NATURAL	MODEL: SS23D14		SCALE: 1:1		CHK'D		
2	FRAME	STEEL STRIP	1	Ni PLATED	深圳市金航标电子有限公司		www.kinghelm.com.cn		APPD		
1	KNOB	POM	1	BLACK	KH-SS23D14-G6		0755-28190160		PRO.AGL:		REV :A0