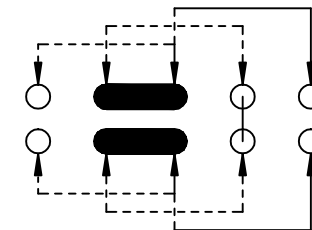
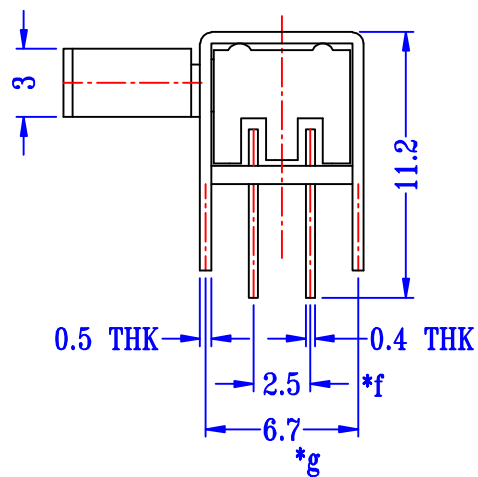
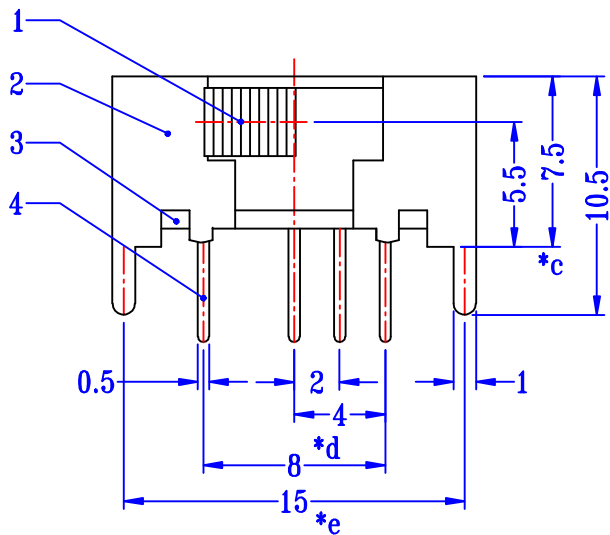
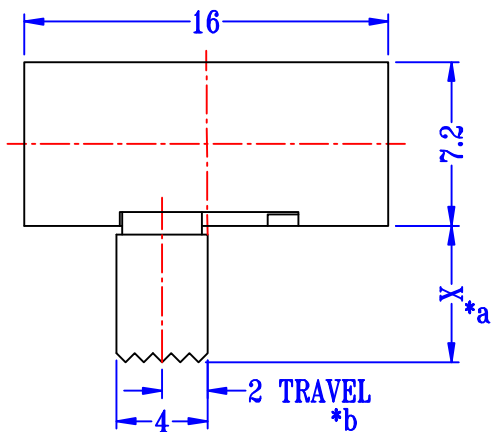
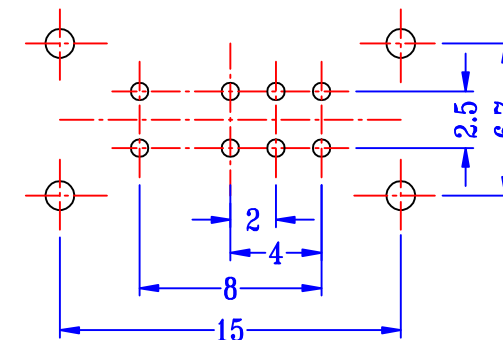


CAD FILE:

Kinghelm®



SCHEMATIC (SHORTING)



**P.C.B LAYOUT
BOTTOM VIEW**

注: "*" 表示关键尺寸(7个).

NO.	PART NAME	MATERIAL	Q'TY	FINISHING	TOLERANCE UNLESS SPECIFIED	ISSUE	DATE	DESCRIPTIONS OF REVISION	APPD.
8									
7	CONTACT CLIP	PBS STRIP	2	Ag PLATED					
6	SPRING	STEEL WIRE	1	NATURAL	WITHIN 1.5mm : ±0.1mm	A	2020-8-15	初版	李燕
5	STEEL BALL	STEEL	1	NATURAL	OVER 1.5mm : ±0.2mm	ISSUE	DATE	DESCRIPTIONS OF REVISION	APPD.
4	TERMINAL	BRASS STRIP	8	Ag PLATED	TITLE : HORIZONTAL SLIDE SWITCH		UNIT : mm	DRWG NO.: SK23D05	
3	BASE	PHENOLIC RESIN	1	NATURAL	MODEL: SK23D05		SCALE: 3:1	DWN.	李丽珍 2020-8-15
2	FRAME	STEEL STRIP	1	Ni PLATED	深圳市金航标电子有限公司		www.kinghelm.com.cn	CHK'D	李燕 2020-8-15
1	KNOB	PA66	1	BLACK	KH-SK23D05-G5		0755-28190160	APPD.	李燕 2020-8-15