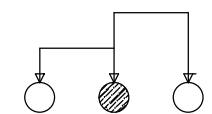
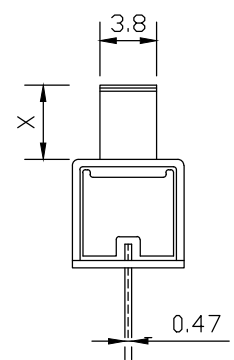
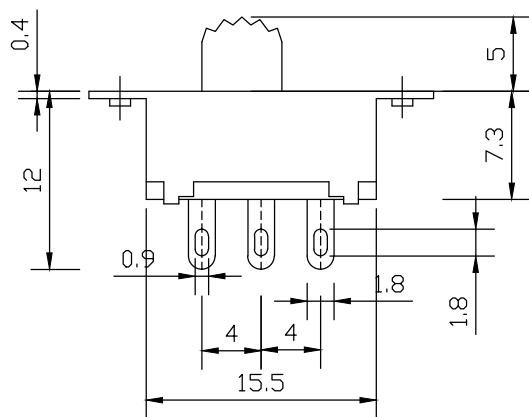
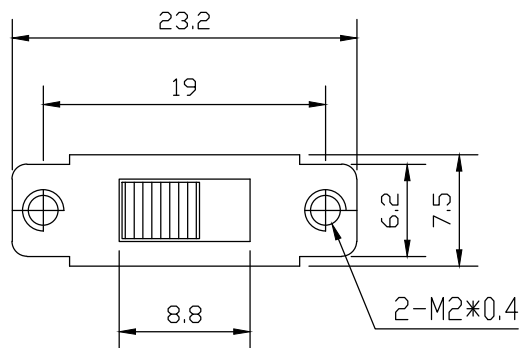


**Kinghelm®**



RATING: DC-50V 0.5A

REVISIONS			
REV	DESCRIPTION	DATE	APPROVED

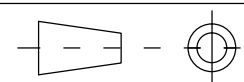
深圳市金航标电子有限公司

www.kinghelm.com.cn

KH-SS12F28-G8

0755-28190160

TITLE: VERTICAL SLIDE SWITCH  
MODEL: SS-12F29 G5



SIZE  
SCALE

DWG NO.  
FSCM NO.

REV  
SHEET