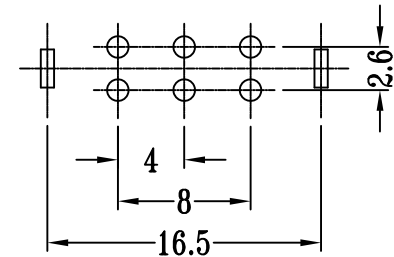
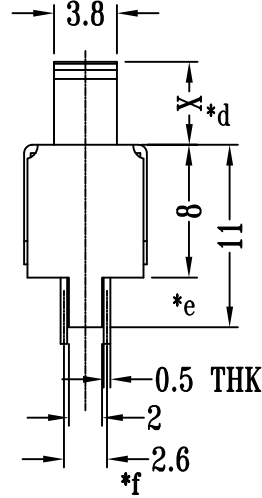
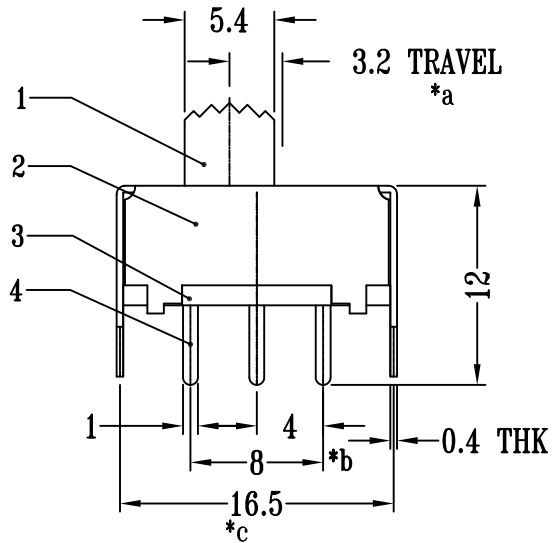


SCHEMATIC (NON-SHORTING)



P.C.B LAYOUT
BOTTOM VIEW

注：“*”表示关键尺寸(6个).

					TOLERANCE UNLESS SPECIFIED								
NO.	PART	NAME	MATERIAL	QTY	FINISHING	UP TO 5mm: ±0.1	ANGULAR	1	NO	DATE	REVISIONS	BY	APPD
6	SPRING		STEEL WIRE	2		ABOVE 5mm: ±0.2	±1°						
5	CONTACT		BRASS	2	Ag-PLATED								
4	TERMAINAL		BRASS	6	Ag-PLATED								
3	BASE		PHENOLIC RESIN	1	BLACK	TITLE: VERTICAL SLIDE SWITCH		UNIT : MM	ROHS	DWN			
2	FRAME		STEEL STRIP	1	Ni-PLATED	MODEL: SS22F06GX		SCALE: 1:1	COMPLIANT	CHK'D			
1	KNOB		POM	1	BLACK	深圳市金航标电子有限公司		www.kinghelm.com.cn		APPD			
						KH-SS22F06-G5-8		0755-28190160		PRO.AGL:	≧	⊕	REV: A0