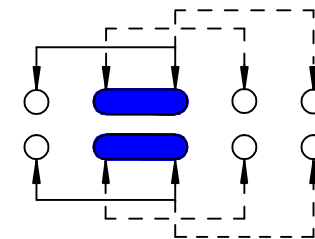
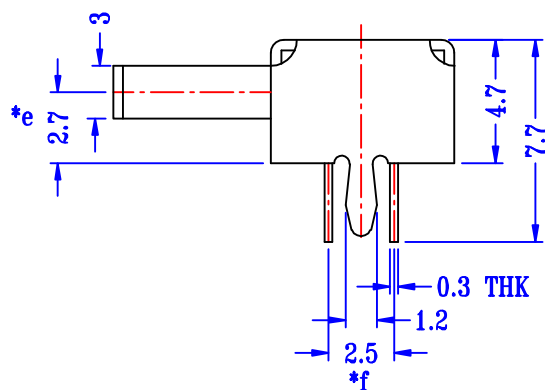
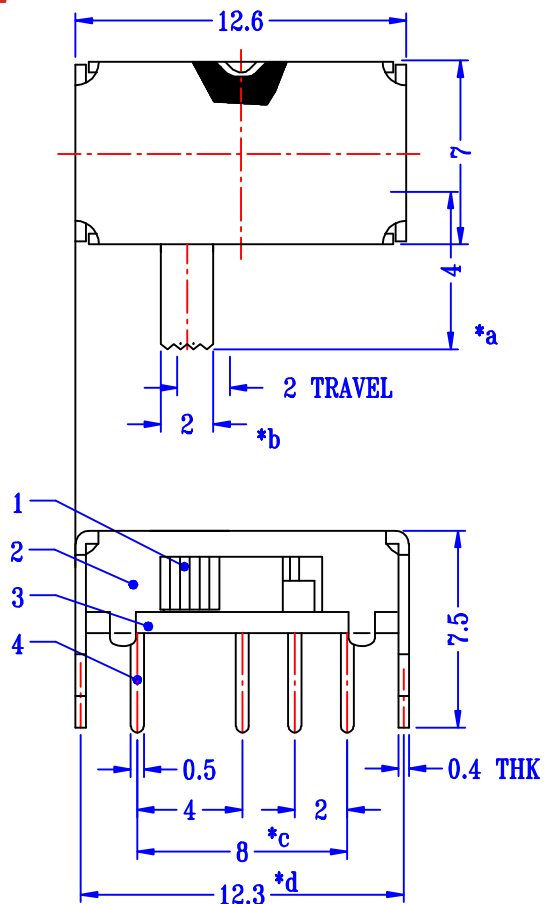


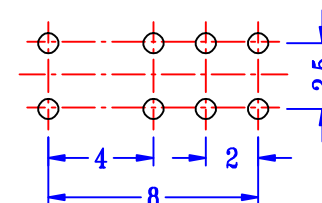


CAD FILE:

Kinghelm®



SCHEMATIC (SHORTING)



**P.C.B LAYOUT
BOTTOM VIEW**

注: *表示关键尺寸(5个)

8					TOLERANCE					
7					UNLESS SPECIFIED					
6					WITHIN 1.5mm : ±0.1mm	A	2020-4-13	初版		
5	CONTACT CLIP	PBS STRIP	2	Ag PLATED	OVER 1.5mm : ±0.2mm	ISSUE	DATE	DESCRIPTIONS OF REVISION		APPD.
4	TERMINAL	BRASS STRIP	8	Ag PLATED	TITLE : HORIZONTAL SLIDE SWITCH		UNIT : mm	DRWG NO.: SK23D07		
3	BASE	PHENOLIC RESIN	1	NATURAL	MODEL: SK23D07		SCALE: 7:2	DWN.	张俊有	2020-4-13
2			1		深圳市金航标电子有限公司		www.kinghelm.com.cn	CHK'D	刘明明	2020-4-13
1	KNOB	PA66	1	BLACK	KH-SK23D07-G5		0755-28190160	APPD.	李燕	2020-4-13
NO.	PARTS	MATERIALS	Q'TY	FINISH						