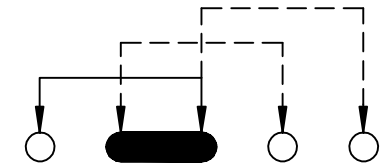
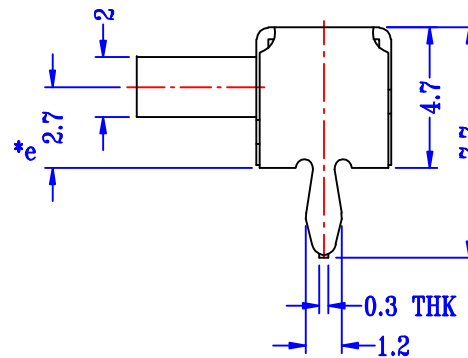
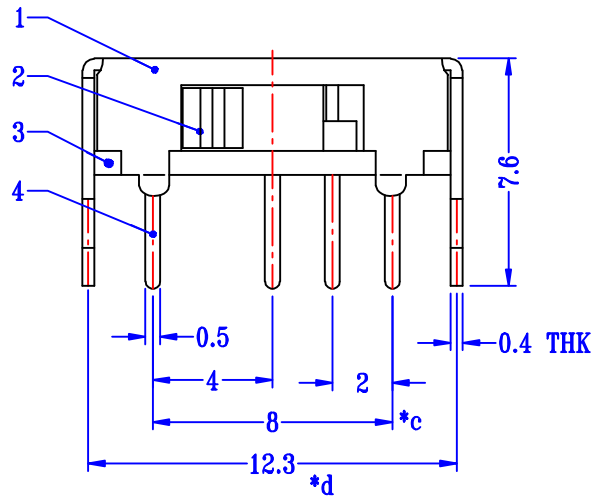
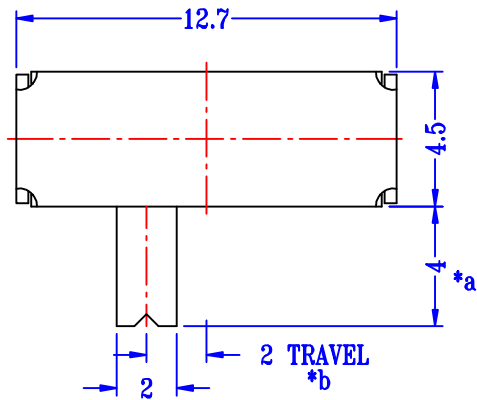
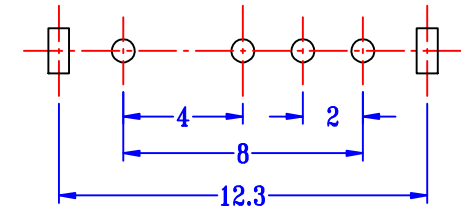


CAD FILE:

**Kinghelm®**



SCHEMATIC (SHORTING)



P.C.B LAYOUT  
BOTTOM VIEW

注: "⊙"表示关键尺寸(5个).

| NO. | PARTS        | MATERIALS      | Q'TY | FINISH    | TOLERANCE UNLESS SPECIFIED      |       |                     |                          |              |
|-----|--------------|----------------|------|-----------|---------------------------------|-------|---------------------|--------------------------|--------------|
| 8   |              |                |      |           |                                 |       |                     |                          |              |
| 7   |              |                |      |           |                                 |       |                     |                          |              |
| 6   | SPRING PLATE | SUS            | 1    | NATURAL   | WITHIN 1.5mm : ±0.1mm           | A     | 2012-8-8            | 初版                       | 李燕           |
| 5   | CONTACT CLIP | PBS STRIP      | 1    | Ag PLATED | OVER 1.5mm : ±0.2mm             | ISSUE | DATE                | DESCRIPTIONS OF REVISION | APPD.        |
| 4   | TERMINAL     | BRASS STRIP    | 4    | Ag PLATED | TITLE : HORIZONTAL SLIDE SWITCH |       | UNIT : mm           | DRWG NO.: SK13D07VG4     |              |
| 3   | BASE         | PHENOLIC RESIN | 1    | NATURAL   | MODEL: SK13D07VG4 (耐温)          |       | SCALE: 4:1          | DWN.                     | 李小开 2012-8-8 |
| 2   | KNOB         | PA66           | 1    | BLACK     | 深圳市金航标电子有限公司                    |       | www.kinghelm.com.cn | CHK'D                    | 刘小明 2012-8-8 |
| 1   | FRAME        | STEEL STRIP    | 1    | Ni PLATED | KH-SK13D01-G5                   |       | 0755-28190160       | APPD.                    | 李燕 2012-8-8  |