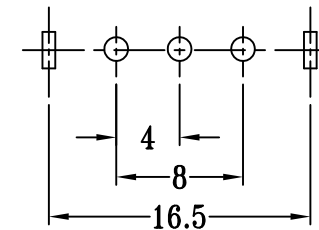
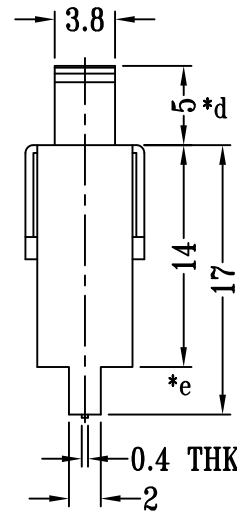
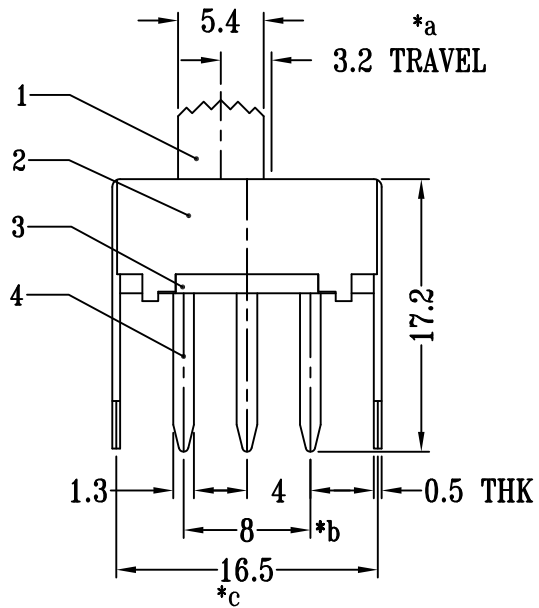


**SCHEMATIC (NON-SHORTING)**



**P.C.B LAYOUT  
BOTTOM VIEW**

注：“\*”表示关键尺寸(5个).

NO.	PARTS	MATERIALS	Q'TY	FINISH	TOLERANCE UNLESS SPECIFIED	ISSUE	DATE	DESCRIPTIONS OF REVISION	APPD.
8									
7									
6	SPRING	STEEL WIRE	1	NATURAL	WITHIN 1.5mm : ±0.1mm	A	2019-8-8	初版	
5	CONTACT	BRASS STRIP	1	Ag PLATED	OVER 1.5mm : ±0.2mm	ISSUE	DATE		
4	TERMINAL	BRASS STRIP	3	Ag PLATED					
3	BASE	PHENOLIC RESIN	1	NATURAL					
2	FRAME	STEEL STRIP	1	Ni PLATED					
1	KNOB	POM	1	BLACK					
					TITLE : VERTICAL SLIDE SWITCH		UNIT : mm	DRWG NO.:	
					MODEL: SS12F08G5		SCALE: 2:1	DWN.	2019-8-8
					深圳市金航标电子有限公司		www.kinghelm.com.cn	CHK'D	2019-8-8
					KH-SS12F08-G10-14		0755-28190160	APPD.	