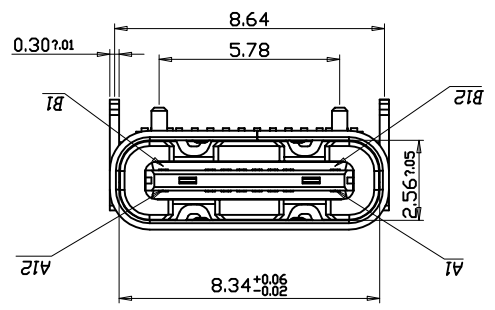


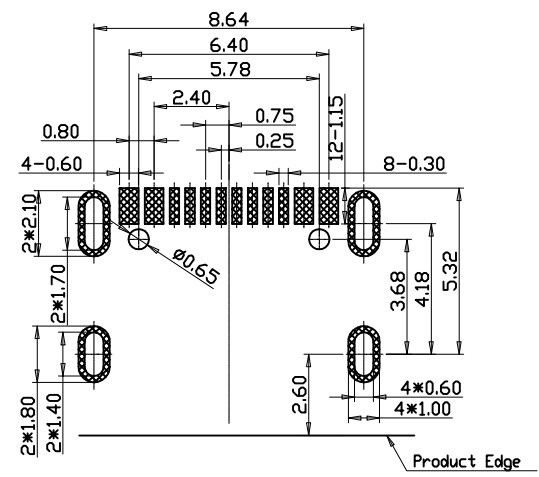
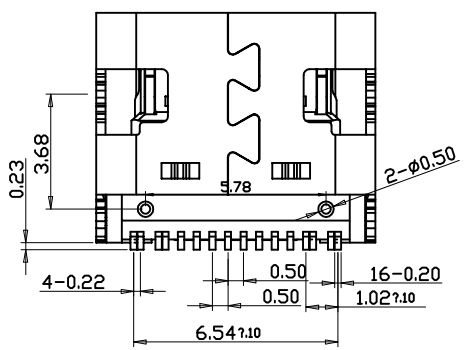
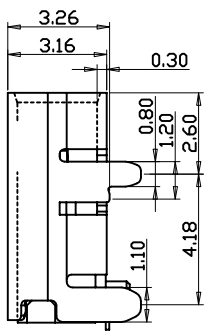
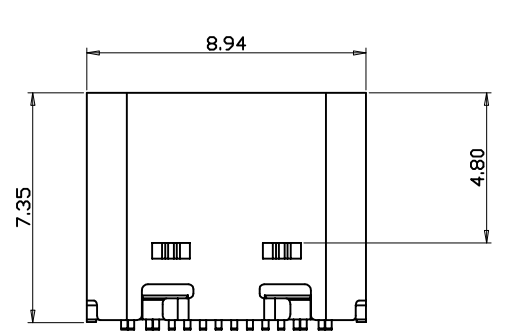
由Autodesk 教育版产品制作

修改	标记	修改摘要	签名	日期
REV	MARK	REVISION DESCRIPTION	SIGNATURE	DATE
AO		NEW DRG		2016-03-12

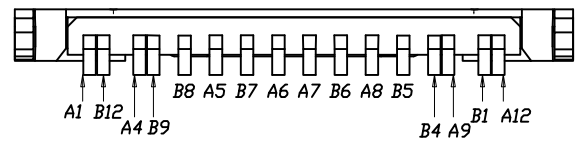
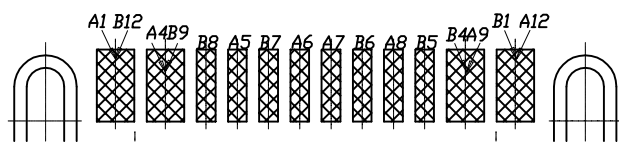
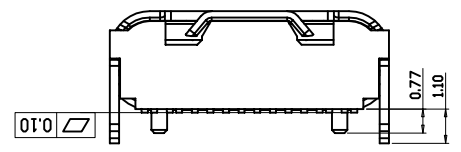


SPECIFICATIONS:

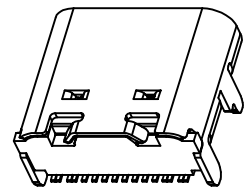
- ELECTRICAL CHARACTERISTICS:**
 - CONTACT RESISTANCE: 30mΩ MAX.
 - DIELECTRIC WITHSTANDING VOLTAGE: 100V AC FOR ONE MINUTE.
 - INSULATION RESISTANCE: 100MΩ MIN. MEASURED BY 500 VDC
- MECHANICAL CHARACTERISTICS:**
 - INSERTION FORCE :0.5-2.0Kgf(REF.)
 - WITHDRAWAL FORCE :0.8-2.0Kgf(REF.)
- LIFE TEST:** 10,000 CYCLES.
- TO CONFORM TO THE KRCONN HAZARDOUS SUBSTANCE FREE SPEC.**



RECOMMENDED P.C.B. LAYOUT (T:1.00mm)
TOLERANCE UNSPECIFIED ±0.05mm



A1	GND	B12	GND
A4	VBUS	B9	VBUS
A5	CC1	B8	SBU2
A6	DP1	B7	DN2
A7	DN1	B6	DP2
A8	SBU1	B5	CC2
A9	VBUS	B4	VBUS
A12	GND	B1	GND
PIN	SIGNAL NAME	PIN	SIGNAL NAME



6	SHELL	STAINLESS STEEL	NI Plated	1PCS
5	SHIELDING PLATE	STAINLESS STEEL	---	1PCS
4	MD	HIGH TEMPERATURE PLASTIC		1PCS
3	CONTACT	COPPER ALLOY	Au/Ni Plated	1SET
2	CONTACT	COPPER ALLOY	Au/Ni Plated	1SET
1	HOUSING	HIGH TEMPERATURE PLASTIC		1PCS
NO.	DESCRIPTION	MATERIAL	REMARKS	QTY

深圳市华德共创科技有限公司
Shenzhen Huade co-create Technology Co., LTD
电话: 0755-23304126 传真: 0755-29940187

TITLE:
产品名称: TYPE C 16PIN卧式带铜片橙色LCP

PART NO:
产品编号: TYPE C-ZL-103PWB

DATE: 2016-03-12

SCALE: 1:1

UNIT: mm

CODE NUMBER: A001

APPD: 核准: 王建业

CHECK: 校对: 黄艳兰

DRAW: 绘图: 黄艳兰

公差参数表

X.X	±0.30	X.X*	±3°
X.XX	±0.20	X.XX*	±2°
X.XXX	±0.10	X.XXX*	±1°

由Autodesk 教育版产品制作