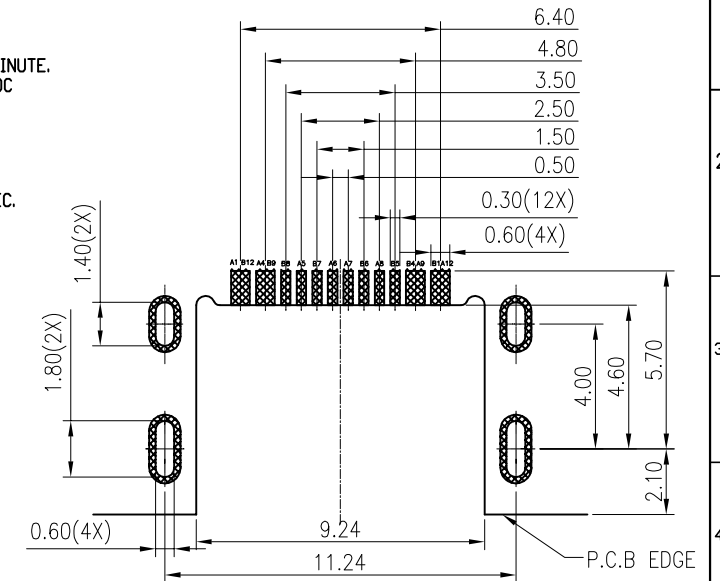
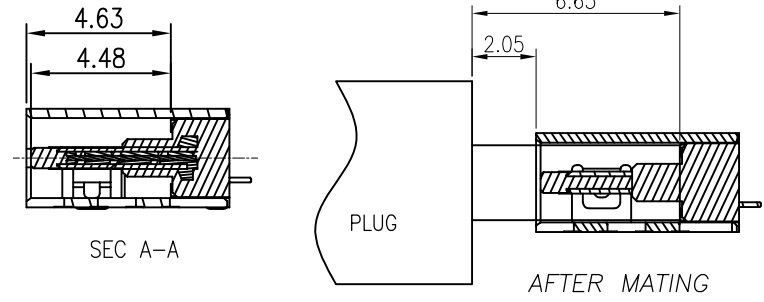
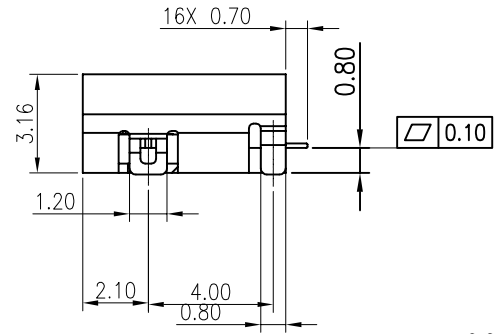
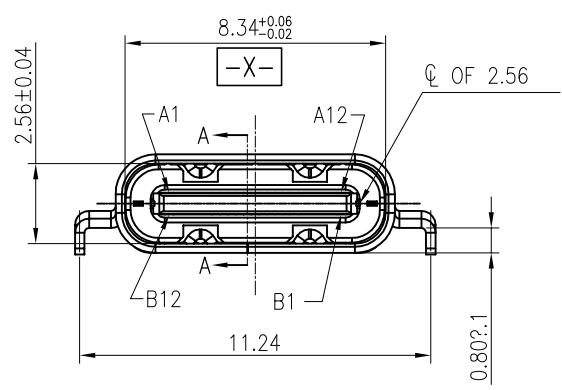
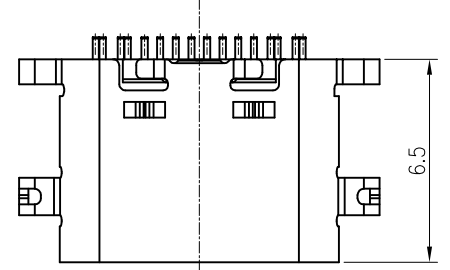


由 Autodesk 教育版产品制作

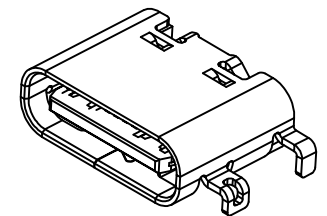
修 订	标 记	修 改 描 要	签 名	日 期
REV NO		REVISON DESCRIPTION	SIGNATURE	DATE
		NEW DRG		2016-03-12

SPECIFICATIONS:

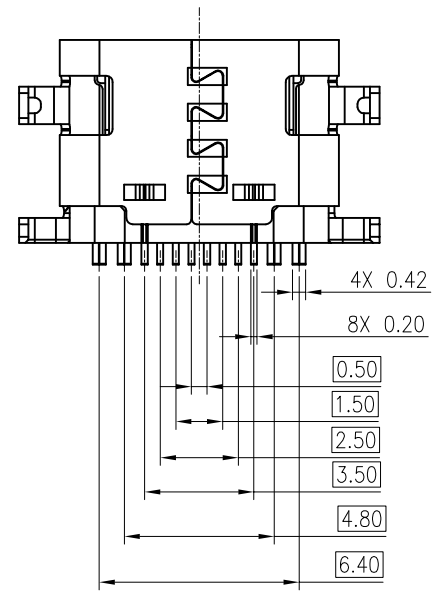
- ELECTRICAL CHARACTERISTICS:**
 - CONTACT RESISTANCE: 30mΩ MAX.
 - DIELECTRIC WITHSTANDING VOLTAGE: 100V AC FOR ONE MINUTE.
 - INSULATION RESISTANCE: 100MΩ MIN. MEASURED BY 500 VDC
- MECHANICAL CHARACTERISTICS:**
 - INSERTION FORCE :0.5-2.0KgF(REF.)
 - WITHDRAWAL FORCE :0.8-2.0KgF(REF.)
- LIFE TEST: 10,000 CYCLES.**
- TO CONFORM TO THE KRCONN HAZARDOUS SUBSTANCE FREE SPEC.**



RECOMMENDED PCB LAYOUT(TOP VIEW)
THICKNESS 0.80MM;DEFAULT TOLERANCE:±0.05



6	SHELL	STAINLESS STEEL	Ni Plated	1PCS
5	SHIELDING PLATE	STAINLESS STEEL	---	1PCS
4	MD	HIGH TEMPERATURE PLASTIC		1PCS
3	CONTACT	COPPER ALLOY	Au/Ni Plated	1SET
2	CONTACT	COPPER ALLOY	Au/Ni Plated	1SET
1	HOUSING	HIGH TEMPERATURE PLASTIC		1PCS
NO.	DESCRIPTION	MATERIAL	REMARKS	QTY



A1	GND	B12	GND
A4	VBUS	B9	VBUS
A5	CC1	B8	SBU2
A6	DP1	B7	DN2
A7	DN1	B6	DP2
A8	SBU1	B5	CC2
A9	VBUS	B4	VBUS
A12	GND	B1	GND
PIN	SIGNAL NAME	PIN	SIGNAL NAME

深圳市华德共创科技有限公司
Shenzhen Huade co-create Technology Co.,LTD
电话: 0755-23304126 传真: 0755-29940187

TITLE: TYPE C 16PIN卧式带钢片沉板 0.8 黑色
产品名称: 黑色

PART NO: TYPE C-ZL-111PWB
产品编号:

-TOLERANCES- UNLESS OTHERWISE SPECIFIED 公差参数表			APPD: 核准: CHECK: 王建业 DRAW: 黄艳兰 绘图:		DATE: 2016-03-12 SCALE: 1:1 UNIT: mm CODE NUMBER: A001
X.X	±0.30	X.X*	±3°		
X.XX	±0.20	X.XX*	±2°		
X.XXX	±0.10	X.XXX*	±1°		

由 Autodesk 教育版产品制作