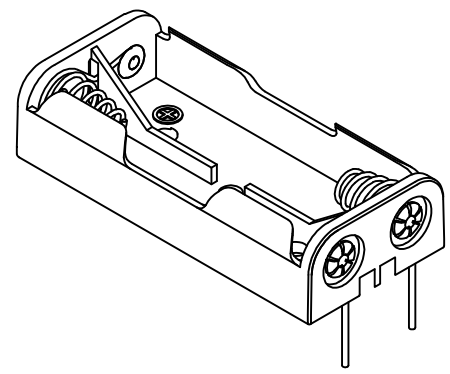
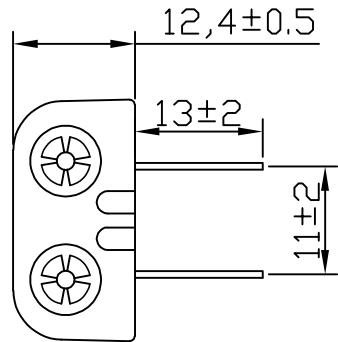
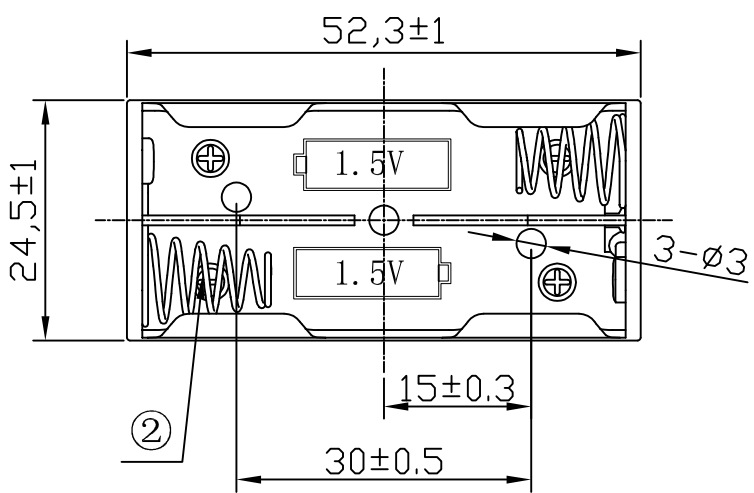




REV.	ECN NO.	REVISED	DATE

NOTE:

- 1.MATERIAL:
a.HOUSING:PP BLACK
b.SPRING:MUSIC WIRE
(SURFACE PLATING: Ni100u"~120u")
SEE ORDERING INFORMATION
- 2.ELECTRIC:
a.DIELECTNIC VOLTAGE: 270V AC ONE SEC LEVEL
b.OPERATING TEMPERATURE: -10°C~ +100°C

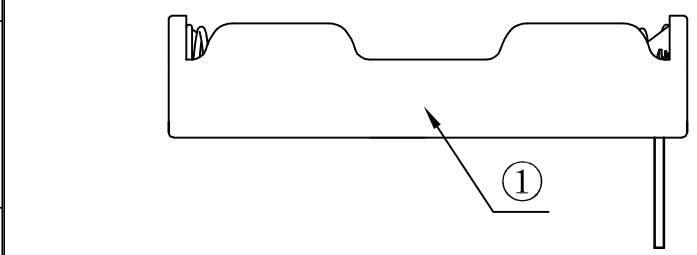


ORDERING INFORMATION
BH-AA-A1AJ020

电池盒 — PLATING:
A-Au1U"
J-Ni100U"~120U"
K-Sn100U"~120U"

电池型号 — MATERIAL:
1A-PP BLACK
1B-PA66 BLACK
2A-PPA BROWN
2B-PPA BLACK
3A-PPS BROWN
3B-PPS BLACK
4A-LCP WHITE
4B-LCP BLACK
5A-PP BLACK
5B-ABS BLACK

DIP 90° TYPE —



UNLESS OTHERWISE SPECIFIED TOLERANCES		MYOUNG 美用 www.meiyangdz.com			
DECIMALS: X :±0.30 X.X :±0.25 X.XX :±0.20 X.XXX :±0.10	ANGLES: X :±1° X.X :±0.5°	DSND	YangFeng	DATE	2022-11-15
WEIGHT:		CHKD	ZhouRuicai	DATE	2022-11-15
SHEET 1 OF 1		APVD	XueShunyong	DATE	2022-11-15
SCALE:		SIZE: A4		VIEW:	⊕ ⊖
UNIT: mm		REV.:	A/0	OBJECT:	MY
TITLE:		电池盒BH-AAA-2J DIP 单边两PIN			
PART NO.:		BH-AAA-A1AJ020			
DRAW NO.:		WD-CP-0164			

2	SPRING	2	MUSIC WIRE	Ni-Plating
1	HOUSING	1	PP	BLACK
NO.	PART NAME	Q'TY	MATERIAL	PLATING & COLOR