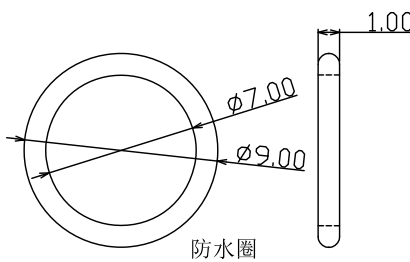
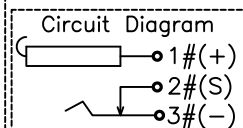
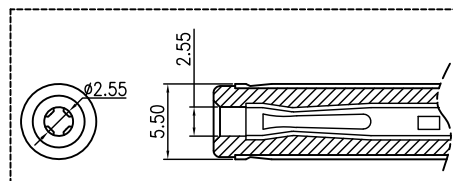
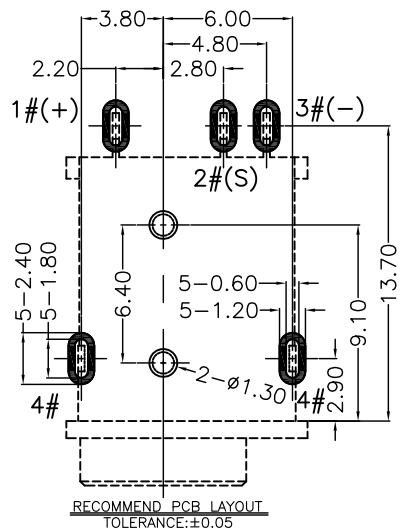



Notes:

- 1.Current Rating: 24V&5A max.
- 2.Contact Resistance: 50mOhms Max.(initial)
- 3.Insulation Resistance: 100M Ohms Min./500V DC
- 4.Dielectric Withstanding Voltage: 500V AC/1Minute
- 5.Mating Force: 35N Max, Withdrawal Force: 3N Min.
- 6.Durability: 5,000 Cycles
- 7.Operating Temperature:-25°C to+85°C



7	BOND	1	EPOXY, BLACK
6	BACK COVER	1	HIGH TEMPERATURE, BLACK
5	HOUSING	1	HIGH TEMPERATURE, BLACK
4	TERMINAL 4#	1	STAINLESS STEEL; NICKEL PLATING
3	TERMINAL 3#	1	COPPER ALLOY; NICKEL UNDER PLATING OVERALL, Sn PLATING ON SOLDER AREA, GOLD FLASH PLATING ON CONTACT AREA
2	TERMINAL 2#	1	COPPER ALLOY; NICKEL UNDER PLATING OVERALL, Sn PLATING ON SOLDER AREA, GOLD FLASH PLATING ON CONTACT AREA
1	CENTER PIN	1	COPPER ALLOY; NICKEL UNDER PLATING OVERALL, Sn PLATING ON SOLDER AREA, Ni FLASH PLATING ON CONTACT AREA
ITEM	NAME	QTY	DESCRIPTION

 **深圳市华宇创精密电子有限公司**

TOLERANCE: X.X ±0.30 X.XX ±0.25 X.XXX ±0.15 X' ±2' X.X' ±0.5'	DRAWN BY : 陈一鸣 DATE : 2014-02-23	PART NAME: 防水DC	
	CHECKED BY: 马跃 DATE : 2014-02-23	PART NO. HYCW-DC1852-250B MOLD NO.	
UNIT: mm [inch] SCALE:1:1 SIZE: A4	APPROVED BY: 邱敏 DATE : 2014-02-23	DRAW NO: HYC-2205201606 SHEET NO. 1 OF 1	